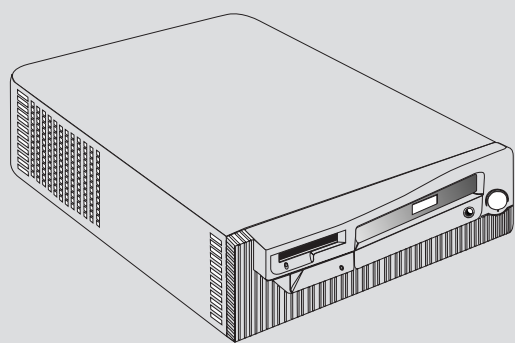


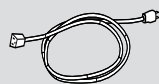
# 1. Unpack your Aptiva PC



Locate the following items:



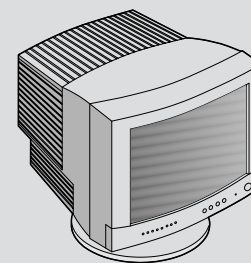
System Unit



Power Cord



Telephone Cord



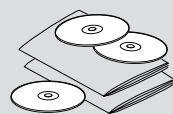
Monitor with stand you attached  
(may be sold separately)



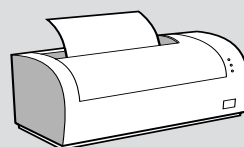
Mouse



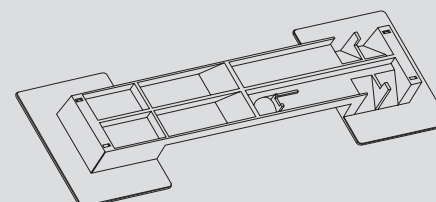
Keyboard



Publications and CD-ROMs



Printer  
(sold separately)



Stand  
(For Vertical System Unit)

# 2. Connect the system components

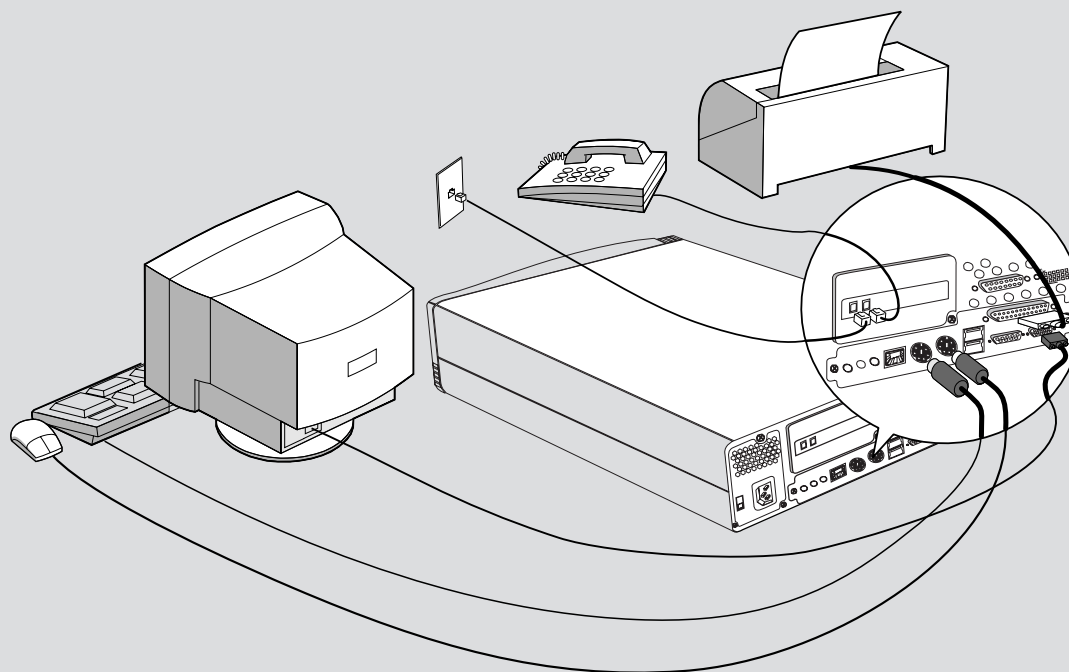
Attach components to the computer as shown. If you need setup instructions for components that are not shown here, refer to the back of this sheet or the instructions that came with the component.

**Note:**

Most cable connectors are color-coded to match the location at the back of the system unit where you connect the cable.

Read "Safety information" in the Aptiva Handbook to learn about connecting cables.

The location of the phone line and telephone cable connectors on your system unit might be different from the locations shown in this illustration. Use the symbols on the back of the system unit as a guide.

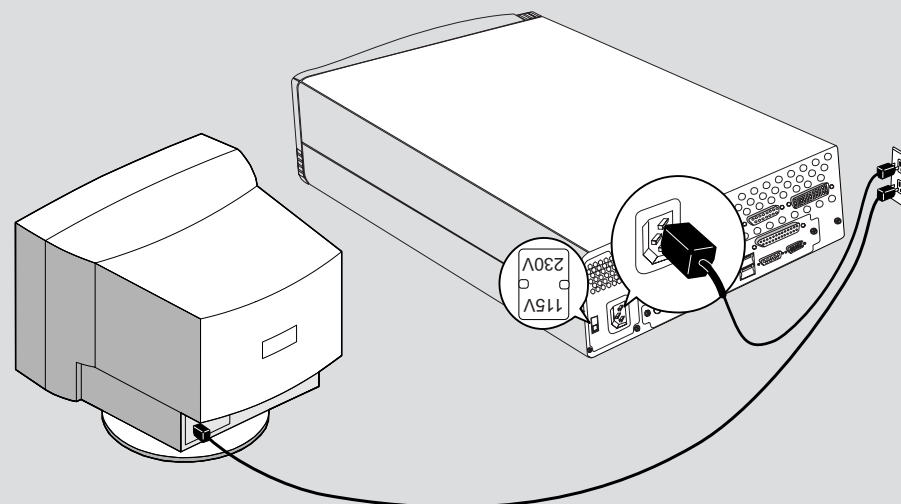


# 3. Connect the power cables

The voltage selector switch should be preset for your area; however, contact your local power company if you are uncertain of the voltage for your area.

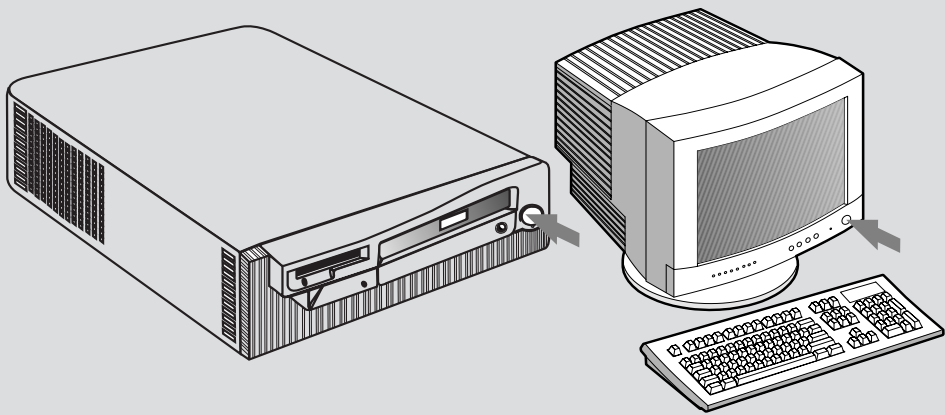
- If the voltage supply range in your area is 100-127V, set the voltage selector switch so you can see 115V or 115.
- If the voltage supply range in your area is 200-240V, set the voltage selector switch so you can see 230V or 230.

Plug the monitor and the computer into an electrical outlet. For clarity, only the power cords are shown in this picture.



## 4. What to do next

**A.** Turn on the monitor and computer.

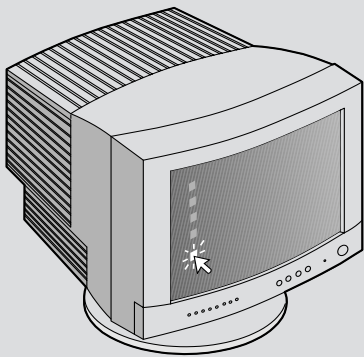


**B.** You must complete the Windows 98 setup. During this process, you must type the Windows Product ID number printed on the *Certificate of Authenticity* that came with the *Introducing Microsoft Windows 98* booklet.



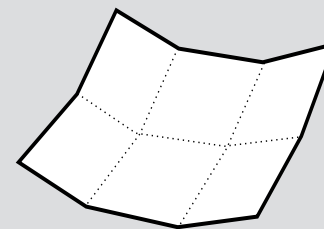
During setup, review the printed documentation that came with your computer.

**C.** When setup completes, your computer is ready for use.



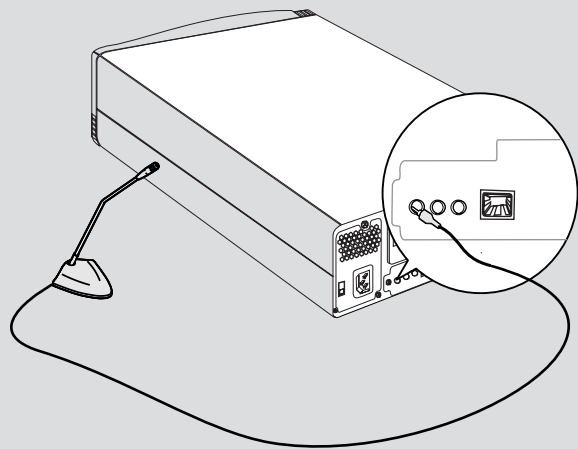
**D.** If you need help, see the HelpWare support and services chapter in the *Aptiva Handbook* that came with your computer.

Save this setup poster for future reference.

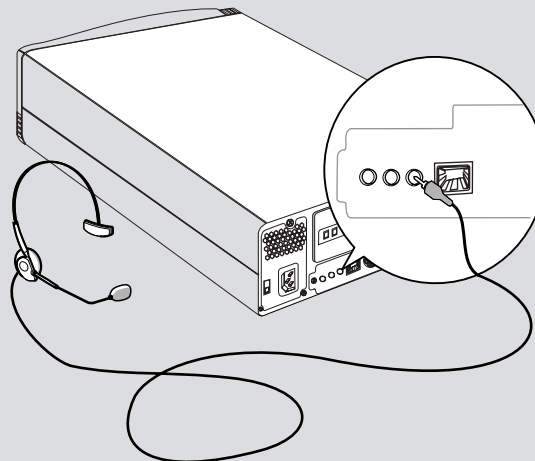


## 5. Connecting additional components

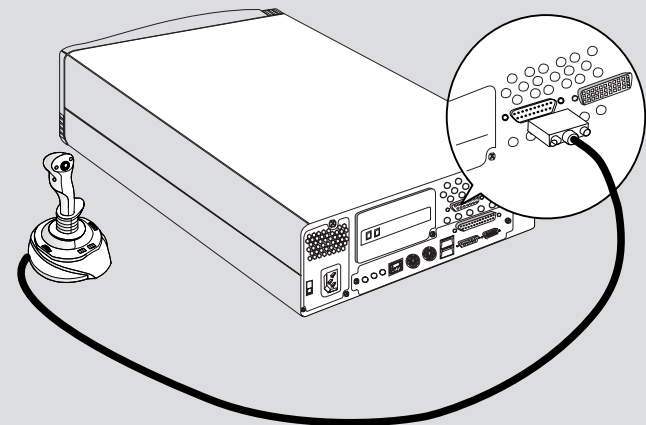
The following figures show you how to connect additional components which may have come with your computer (or that you purchased separately). Some components may require software or BIOS setup. Refer to the documentation that came with the component for more information.



Microphone



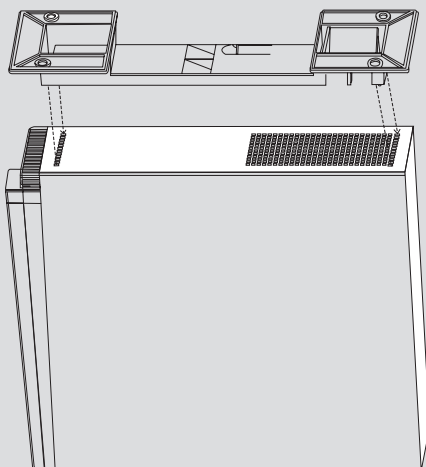
Headset Microphone



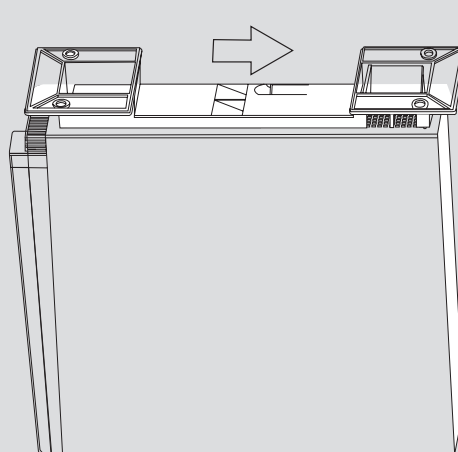
Joystick

## 6. Install the stand (optional on some models)

**A.** Set the computer on its side with the air vents facing upward. Then, position the stand as shown in the illustration.



**B.** Slide the stand toward the rear of the computer until it is fully seated.



**C.** Carefully reposition the computer so the stand is on the bottom.

