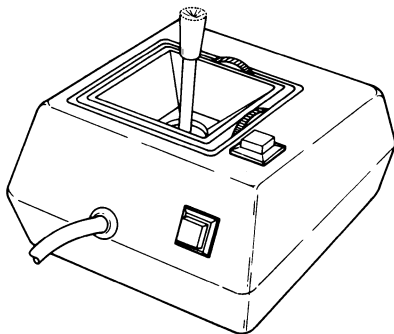
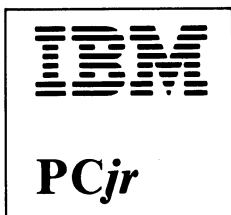


IBM PCjr Attachable Joystick Installation and Operating Instructions



If your IBM PCjr has not been set up at this time, do so before installing this option.

This option consists of the following:

- IBM PCjr Attachable Joystick

If this item is missing or damaged, notify your place of purchase.

LIMITED WARRANTY

The International Business Machines Corporation warrants this IBM Personal Computer Product to be in good working order for a period of one year from the date of purchase from IBM or an Authorized IBM Personal Computer Dealer. Should this Product fail to be in good working order at any time during this one year warranty period, IBM will, at its option, repair or replace this Product at no additional charge except as set forth below. Repair parts and replacement Products will be furnished on an exchange basis and will be either reconditioned or new. All replaced parts and Products become the property of IBM. This limited warranty does not include service to repair damage to the Product resulting from accident, disaster, misuse, abuse, or non-IBM modification of the Product.

Limited Warranty service may be obtained by delivering the Product during the one year warranty period to an Authorized IBM Personal Computer Dealer, or any IBM Service Center and providing proof of purchase date. If this Product is delivered by mail, you agree to insure the Product or assume the risk of loss or damage in transit, to prepay shipping charges to the warranty service location and to use the original shipping container or equivalent. Contact an Authorized IBM Personal Computer Dealer or write to IBM Personal Computer, Sales and Service, P.O. Box 1328-W, Boca Raton, Florida 33432, for further information.

ALL EXPRESS AND IMPLIED WARRANTIES FOR THIS PRODUCT INCLUDING THE WARRANTIES OF MERCHANTABILITY AND FITNESS FOR A PARTICULAR PURPOSE, ARE LIMITED IN DURATION TO A PERIOD OF ONE YEAR FROM THE DATE OF PURCHASE, AND NO WARRANTIES, WHETHER EXPRESS OR IMPLIED, WILL APPLY AFTER THIS PERIOD. SOME STATES DO NOT ALLOW LIMITATIONS ON HOW LONG AN IMPLIED WARRANTY LASTS, SO THE ABOVE LIMITATIONS MAY NOT APPLY TO YOU.

IF THIS PRODUCT IS NOT IN GOOD WORKING ORDER AS WARRANTED ABOVE, YOUR SOLE REMEDY SHALL BE REPAIR OR REPLACEMENT AS PROVIDED ABOVE. IN NO EVENT WILL IBM BE LIABLE TO YOU FOR ANY DAMAGES, INCLUDING ANY LOST PROFITS, LOST SAVINGS OR OTHER INCIDENTAL OR CONSEQUENTIAL DAMAGES ARISING OUT OF THE USE OF OR INABILITY TO USE SUCH PRODUCT, EVEN IF IBM OR AN AUTHORIZED IBM PERSONAL COMPUTER DEALER HAS BEEN ADVISED OF THE POSSIBILITY OF SUCH DAMAGES, OR FOR ANY CLAIM BY ANY OTHER PARTY.

SOME STATES DO NOT ALLOW THE EXCLUSION OR LIMITATION OF INCIDENTAL OR CONSEQUENTIAL DAMAGES FOR CONSUMER PRODUCTS, SO THE ABOVE LIMITATIONS OR EXCLUSIONS MAY NOT APPLY TO YOU.

THIS WARRANTY GIVES YOU SPECIFIC LEGAL RIGHTS, AND YOU MAY ALSO HAVE OTHER RIGHTS WHICH MAY VARY FROM STATE TO STATE.

Contents

Installation Requirements	2
Tool Requirements	2
Installation Instructions	3
Centering Adjustment	6
Operating Modes	7
Pushbutton Operation	9

Installation Requirements

Your IBM PCjr must be set up before you can install this option.

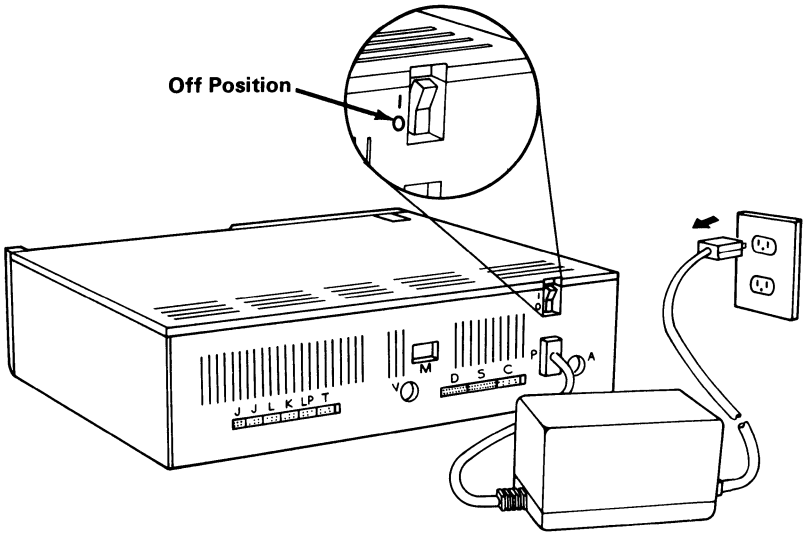
Tools Required

- None

Note: Your Attachable Joystick may look slightly different from the one shown in this book.

Installation Instructions

- 1** Turn your IBM PCjr power off.
- 2** Turn all external options power off (printer, TV, cassette, etc.).
- 3** Unplug the power cords for the IBM PCjr and all options from the wall outlets.

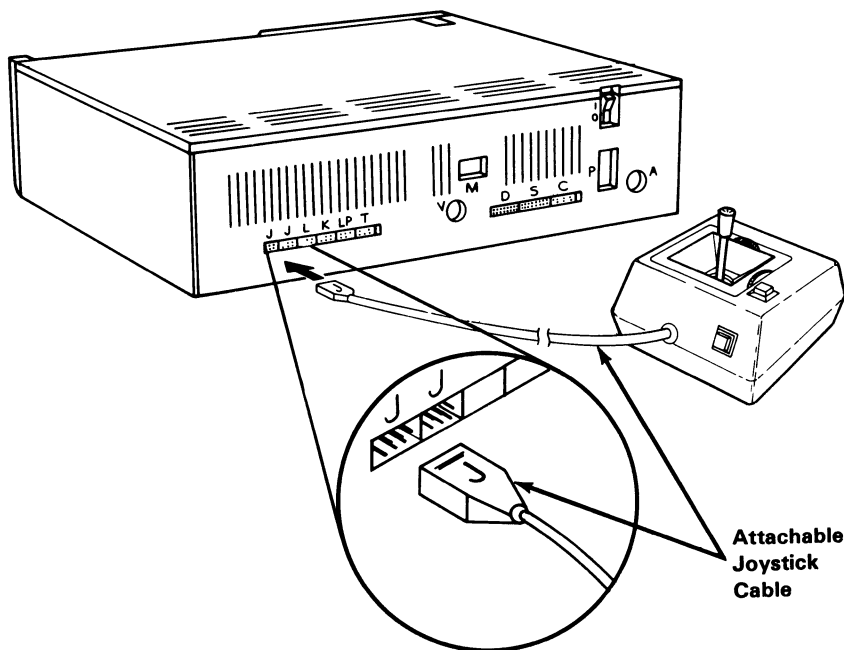


4 Turn your IBM PCjr so the rear is toward you.

5 The joystick connectors on your IBM PCjr are the first two connectors on the left side of your IBM PCjr (viewed from the rear). Both are marked with a J.

Note: If this is the first joystick, plug it into the J connector on the left as viewed from the rear. The letter J should be facing up when you plug the connector into the IBM PCjr.

6 Plug the IBM PCjr Attachable Joystick cable connector marked J into the IBM PCjr connector marked with a J.



7 Plug the IBM PCjr and all option power cords into wall outlets.

Important:

Insert these option instructions into Section 5 of the *Guide to Operations* manual.

If you have any other options to install, install them at this time.

If you do not have any other options to install, continue normal operation.

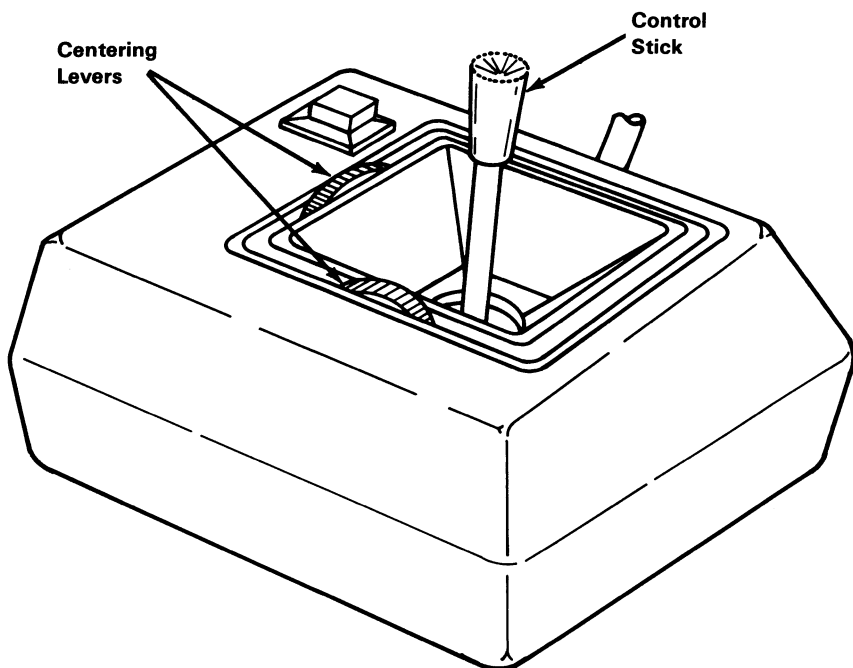
Note: The IBM PCjr Attachable Joystick operating instructions are on the following pages.

Centering Adjustment

The two levers on the top of the IBM PCjr Attachable Joystick are centering adjustments. You can use these adjustments to position the object you will be controlling with your IBM PCjr Attachable Joystick.

Hold the IBM PCjr Attachable Joystick with the cable away from you. The lever on the left controls the up and down positioning. The lever below the control stick controls the left and right positioning.

Note: If you need help with the centering adjustment see Section 6, "Testing your IBM PCjr" of the *Guide to Operations* manual.



Operating Modes

Your IBM PCjr Attachable Joystick may be operated in either a "Free" or "Center Return" mode.

Free Mode

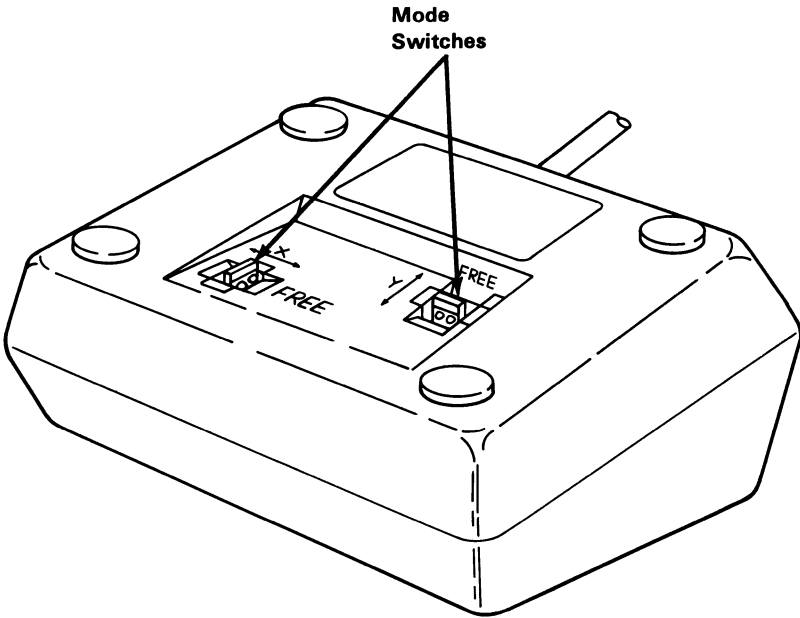
In the Free Mode the control stick will stay in whatever position you put it. To put your IBM PCjr Attachable Joystick in Free Mode, turn your IBM PCjr Attachable Joystick over so that the bottom faces up. Move the control stick to any corner and move either or both of the switches to the "Free" position.

Note: Do not move the switch(es) to the "Free" position with the control stick centered.

Center Return Mode

In the Center Return Mode the stick will always return to the center position. To put your IBM PCjr Attachable Joystick in Center Return Mode. Turn your IBM PCjr Attachable Joystick over. Move switches away from the "Free" position. The control stick may be in any position to do this.

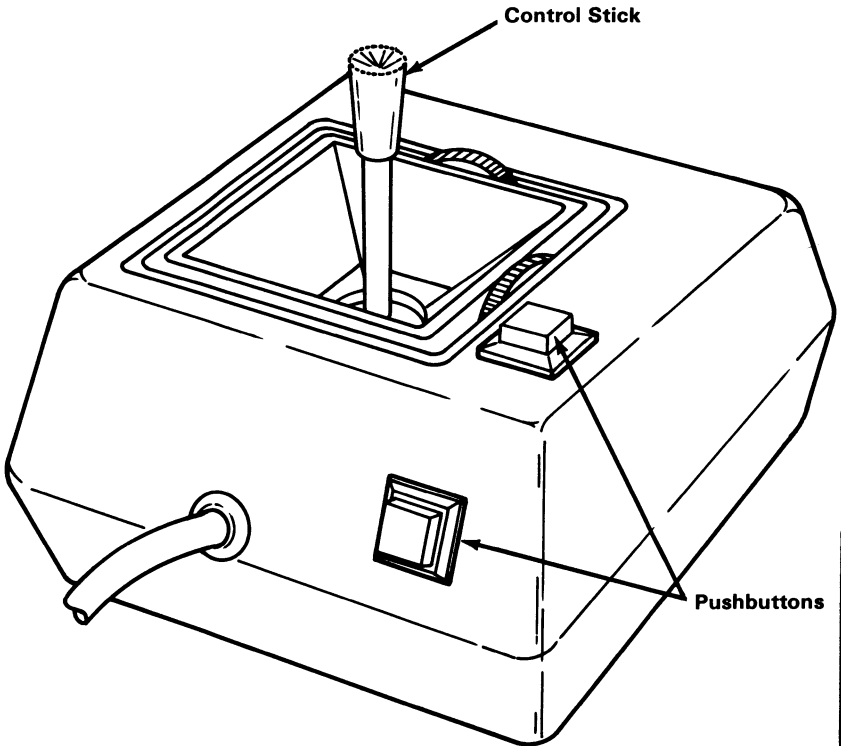
Note: You can operate your IBM PCjr Attachable Joystick with only one switch in the "Free" position.



Pushbutton Operation

Two pushbuttons are provided on your IBM PCjr Attachable Joystick. These Pushbuttons are conveniently placed for left thumb (red button) and left forefinger (black button) operation.

Note: The black pushbutton may not work on all games or programs.



Notes:

