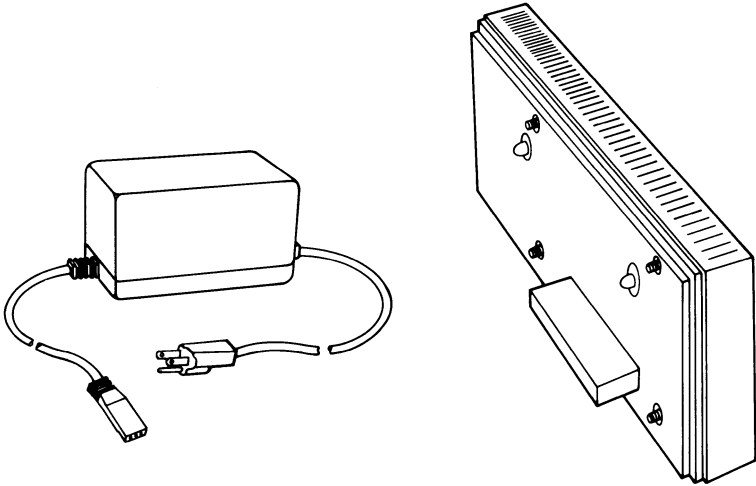
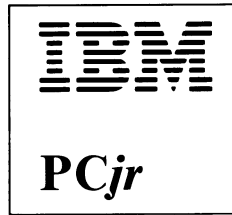


# IBM PCjr Power Expansion Attachment Installation Instructions



**If your IBM PCjr has not been set up at this time, do so before installing this option.**

This option consists of:

- IBM PCjr Power Expansion Attachment
- Power cord

If any items are missing or damaged, notify your place of purchase.

**The warranty terms and conditions applicable in the country of purchase (except for the U.S. and Puerto Rico) in respect of an IBM Personal Computer product are available from the supplier. Please retain them with your proof of purchase.**

### **LIMITED WARRANTY (APPLIES TO U.S. AND PUERTO RICO ONLY)**

The International Business Machines Corporation warrants this IBM Personal Computer Product to be in good working order for a period of one year from the date of purchase from IBM or an Authorized IBM Personal Computer Dealer. Should this Product fail to be in good working order at any time during this one year warranty period, IBM will, at its option, repair or replace this Product at no additional charge except as set forth below. Repair parts and replacement Products will be furnished on an exchange basis and will be either reconditioned or new. All replaced parts and Products become the property of IBM. This limited warranty does not include service to repair damage to the Product resulting from accident, disaster, misuse, abuse, or non-IBM modification of the Product.

Limited Warranty service may be obtained by delivering the Product during the one year warranty period to an Authorized IBM Personal Computer Dealer, or any IBM Service/Exchange Center and providing proof of purchase date. If this Product is delivered by mail, you agree to insure the Product or assume the risk of loss or damage in transit, to prepay shipping charges to the warranty service location and to use the original shipping container or equivalent. Contact an Authorized IBM Personal Computer Dealer or write to IBM Personal Computer, Sales and Service, P.O. Box 1328-W, Boca Raton, Florida 33432, for further information.

**IBM HEREBY DISCLAIMS ALL OTHER EXPRESS AND IMPLIED WARRANTIES FOR THIS PRODUCT, INCLUDING THE WARRANTIES OF MERCHANTABILITY AND FITNESS FOR A PARTICULAR PURPOSE. SOME STATES DO NOT ALLOW THE EXCLUSION OF IMPLIED WARRANTIES, SO THE ABOVE LIMITATIONS MAY NOT APPLY TO YOU.**

**IF THIS PRODUCT IS NOT IN GOOD WORKING ORDER AS WARRANTED ABOVE, YOUR SOLE REMEDY SHALL BE REPAIR OR REPLACEMENT AS PROVIDED ABOVE. IN NO EVENT WILL IBM WILL LIABLE TO YOU FOR ANY DAMAGES, INCLUDING ANY LOST PROFITS, LOST SAVINGS OR OTHER INCIDENTAL OR CONSEQUENTIAL DAMAGES ARISING OUT OF THE USE OF OR INABILITY TO USE SUCH PRODUCT, EVEN IF IBM OR AN AUTHORIZED IBM PERSONAL COMPUTER DEALER HAS BEEN ADVISED OF THE POSSIBILITY OF SUCH DAMAGES, OR FOR ANY CLAIM BY ANY OTHER PARTY.**

**SOME STATES DO NOT ALLOW THE EXCLUSION OR LIMITATION OF INCIDENTAL OR CONSEQUENTIAL DAMAGES FOR CONSUMER PRODUCTS, SO THE ABOVE LIMITATIONS OR EXCLUSIONS MAY NOT APPLY TO YOU.**

**THIS WARRANTY GIVES YOU SPECIFIC LEGAL RIGHTS, AND YOU MAY ALSO HAVE OTHER RIGHTS WHICH MAY VARY FROM STATE TO STATE.**

**FOR WARRANTY SERVICE OR ASSISTANCE IT IS RECOMMENDED THAT THIS PRODUCT BE RETURNED TO THE AUTHORIZED IBM PERSONAL COMPUTER DEALER FROM WHOM IT WAS PURCHASED OR TO ANY IBM SERVICE/EXCHANGE CENTER.**

# Contents

- Introduction ..... 3
- Installation Requirements ..... 4
  - Tools Required ..... 4
- Installation Instructions ..... 5

**GENERAL**

**Notes:**

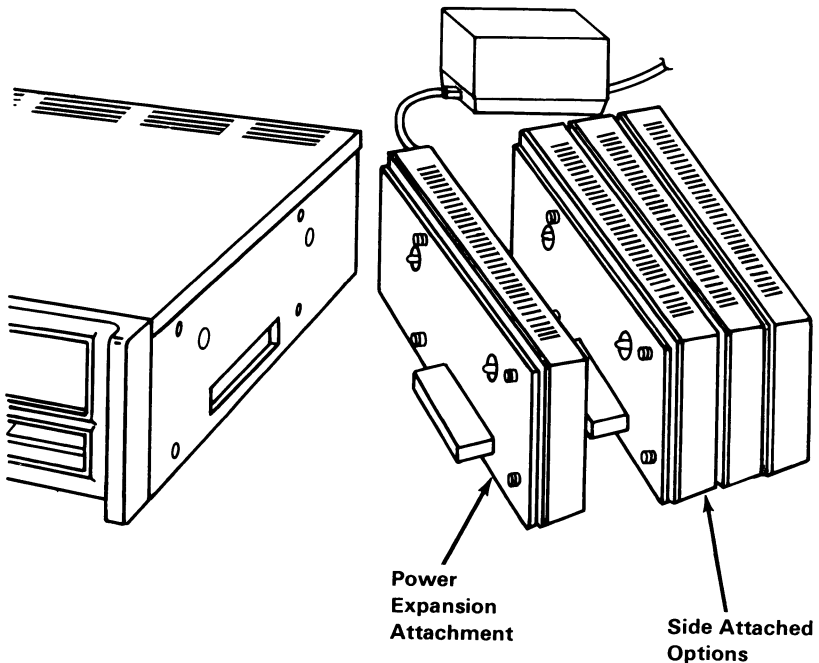


# Introduction

The IBM PCjr Power Expansion Attachment supplies additional power for your IBM PCjr. With the Power Expansion Attachment installed, you may install one, two or three side attached options to your PCjr. Once you have installed your Power Expansion Attachment, turning your PCjr on also turns your Power Expansion Attachment on. Your Power Expansion Attachment must be installed next to your PCjr.

## CAUTION

Do not install more than three side attached options to the IBM PCjr Power Expansion Attachment.



# Installation Requirements

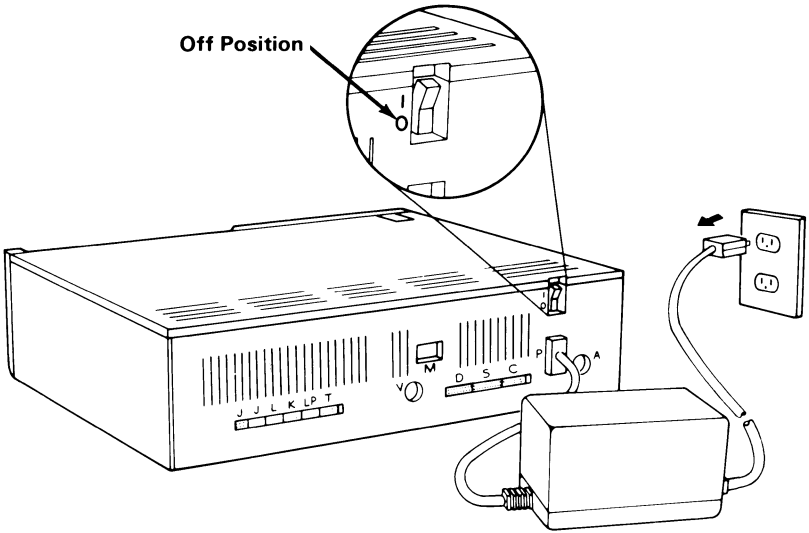
Your IBM PCjr must be set up before you can install this option.

## Tools Required

A medium-size flat blade screwdriver is the only tool needed to install this option.

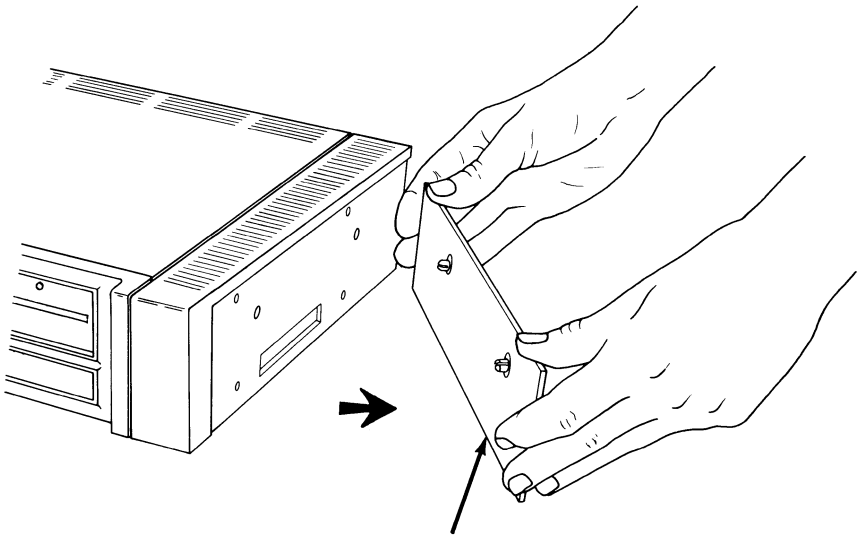
# Installation Instructions

- 1** Turn your *PCjr* power off.
- 2** Turn all external option power off (printer, TV, etc).
- 3** Unplug the power cords for your *PCjr* and all options from their electrical outlets.



- 4 Turn your PCjr so the right side is toward you.
- 5 If a side attached option is installed on your PCjr, continue with the next step. If no side attached option is installed, go to Step 10.
- 6 Remove any cables connected to your side attached option.
- 7 Remove the option attachment cover from the side attached option.

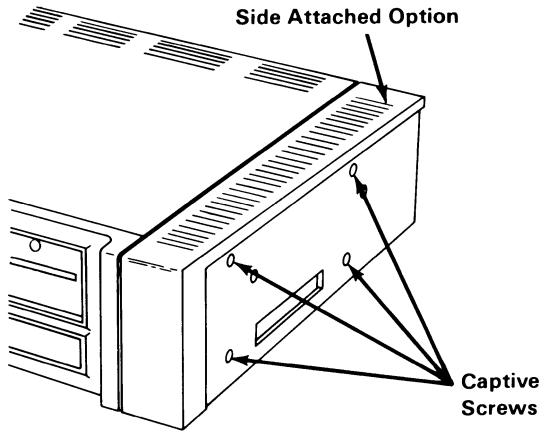
**Note:** It may be necessary to gently pry the cover off by inserting a flat blade screwdriver between the option attachment cover and the side of your option.



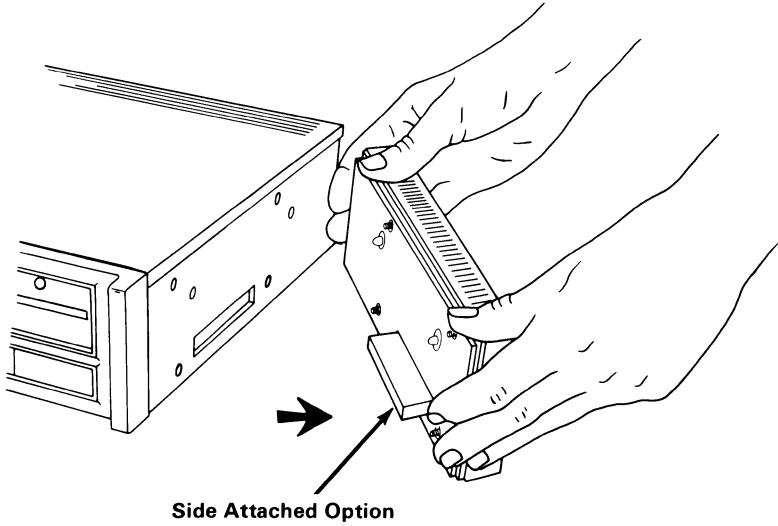
Option Attachment Cover



- 8** Loosen the four captive screws with a flat blade screwdriver.

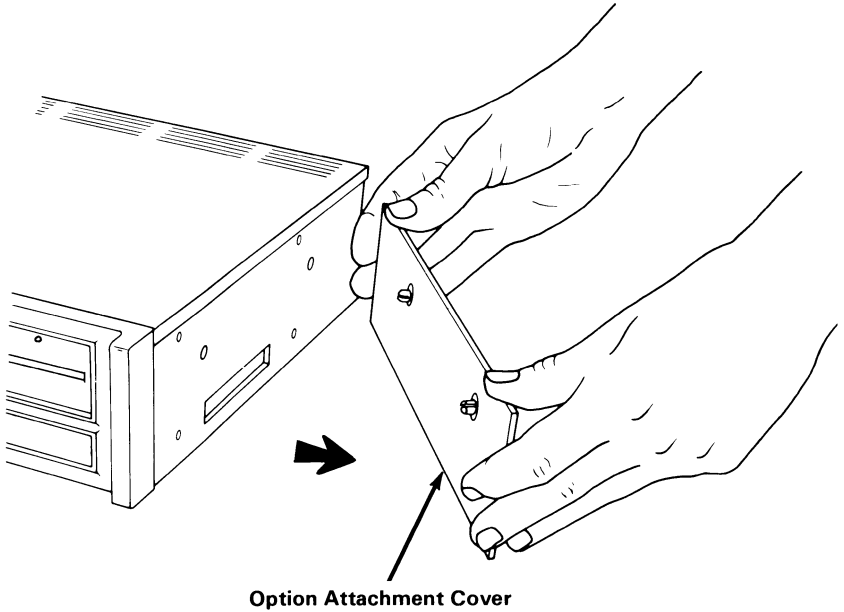


- 9** Grasp both ends of the option and pull it away from the PCjr. Go to Step 11.

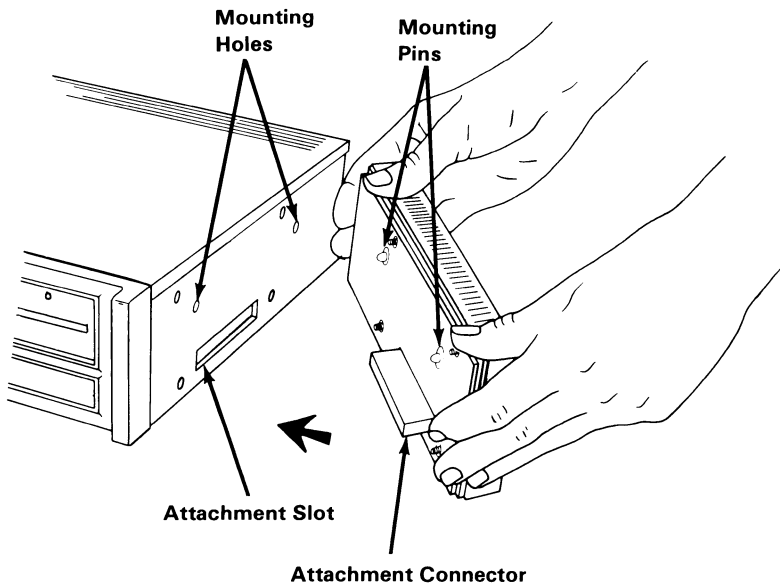


## 10 Remove the option attachment cover.

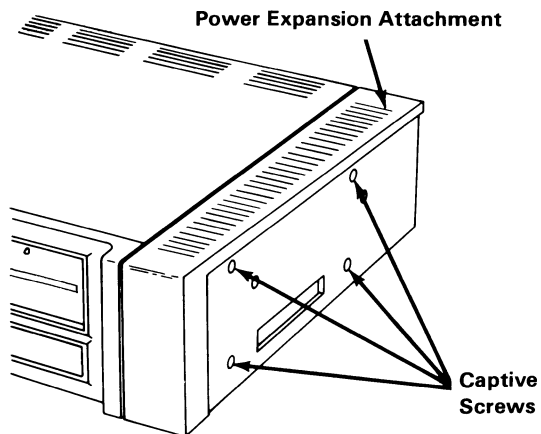
**Note:** It may be necessary to gently pry the cover off by inserting a flat blade screwdriver between the option attachment cover and the side of your PCjr.



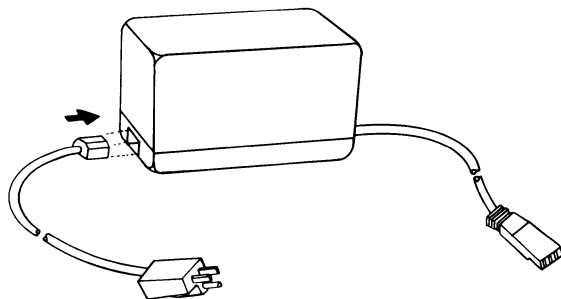
- 11** Position the Power Expansion Attachment so the mounting holes and attachment slot line up with the mounting pins and attachment connector. Then press the Power Expansion Attachment into place.



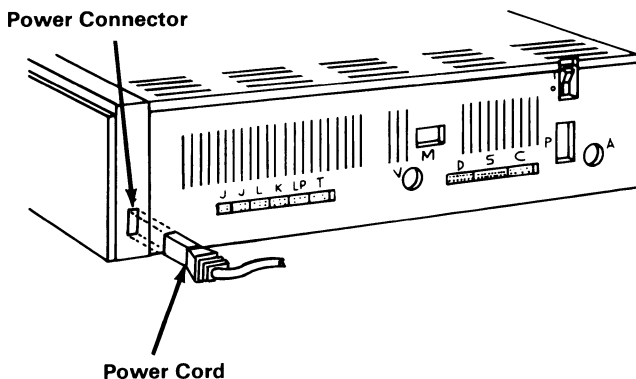
- 12** Tighten the four captive screws with a flat blade screwdriver until they are snug.



- 13** If you have a two piece power cord, plug the pieces together.



- 14** Plug the Power Expansion Attachment power cord into the connector in the back of the Power Expansion Attachment.



**Important:**

**Insert these option instructions into Section 5 of the *Guide to Operations* manual.**

- 15** If you removed a side attached option or have any side attached options to install, install them at this time.
- 16** Plug your PCjr, Power Expansion Attachment, and all option power cords into electrical outlets.
- 17** If you have any other options to install, install them at this time. If you have no other options to install, continue with normal operation.

**Notes:**