



24 captures
7 Jun 97 - 4 May 05

http://www.storage.ibm.com/techsup/hddtech/h3xsx/h3xsxtek.htm

Go

DEC FEB JUN [Close](#)

9

1999 2001 2002 [Help](#)



ShopIBM + Support Downloads

Home Products Consulting Industries News About IBM

Models H3133-S2, H3171-S2, H3256-S3, & H3342-S4 Jumpers

Search

All of IBM

Advanced search

Storage

Hard disk drives

Products

How to buy

Technical support

News

Resources

Case studies

How to...

Contact hard drives

Related link:

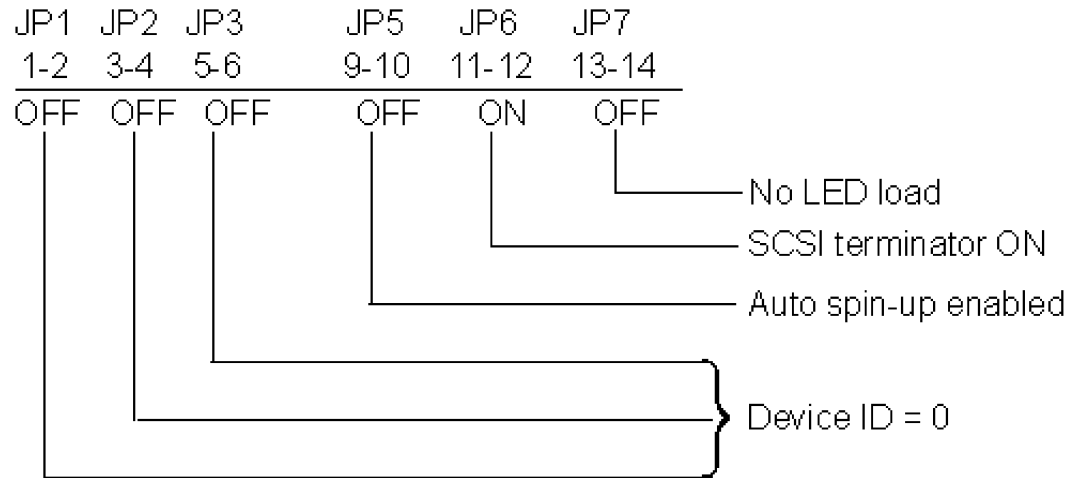
[IBM Microelectronics technical library](#)

IBM Worldwide

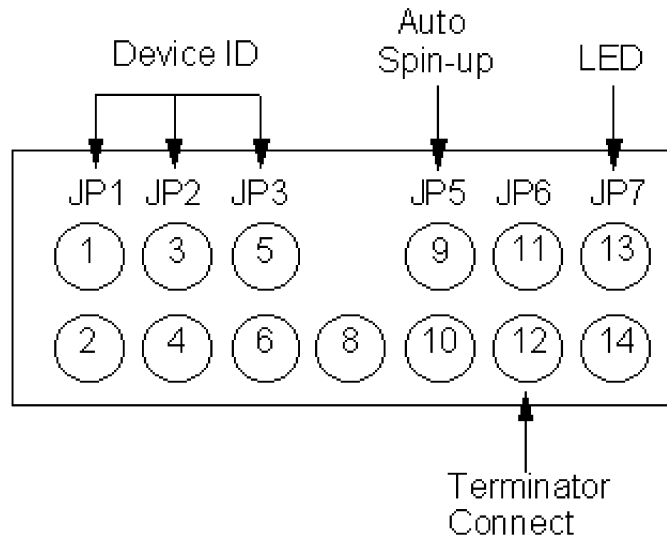
You may [fax this document](#) to yourself via automated fax.

Note: Limited information is available for these hard drives.

The default shipping condition device ID address is '0', auto spin up option is enabled, and no LED port load is present.



SCSI jumper default condition



Term ON - Enables the on drive active termination

Auto Spin up - Enables drive to automatically spin up when power is applied.

SCSI ID

 OFF OFF OFF = 0
 ON OFF OFF = 1
 OFF ON OFF = 2
 ON ON OFF = 3
 OFF OFF ON = 4
 ON OFF ON = 5
 OFF ON ON = 6
 ON ON ON = 7

Mechanical outline

The card with disk enclosure mechanical outline is as follows:

