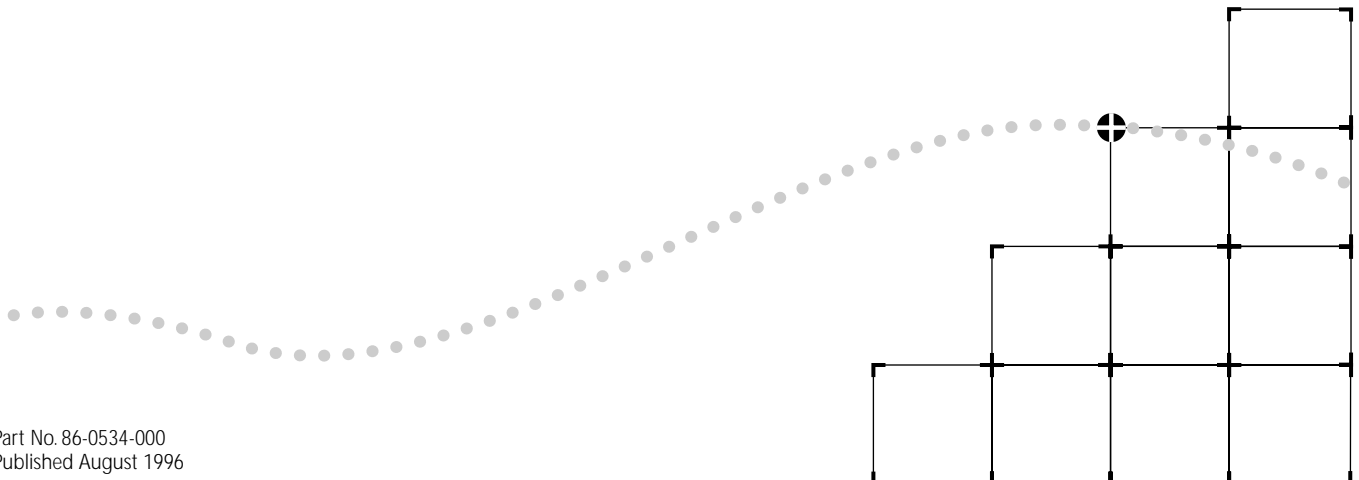




NETBUILDER II® HSS RS-232 3-PORT MODULE DTE-TO-DCE ADAPTER RELEASE NOTES



3Com Corporation ■ 5400 Bayfront Plaza ■ Santa Clara, California ■ 95052-8145

© 3Com Corporation, 1996. All rights reserved. No part of this documentation may be reproduced in any form or by any means or used to make any derivative work (such as translation, transformation, or adaptation) without permission from 3Com Corporation.

3Com Corporation reserves the right to revise this documentation and to make changes in content from time to time without obligation on the part of 3Com Corporation to provide notification of such revision or change.

3Com Corporation provides this documentation without warranty of any kind, either implied or expressed, including, but not limited to, the implied warranties of merchantability and fitness for a particular purpose. 3Com may make improvements or changes in the product(s) and/or the program(s) described in this documentation at any time.

UNITED STATES GOVERNMENT LEGENDS:

If you are a United States government agency, then this documentation and the software described herein are provided to you subject to the following restricted rights:

For units of the Department of Defense:

Restricted Rights Legend: Use, duplication or disclosure by the Government is subject to restrictions as set forth in subparagraph (c) (1) (ii) for restricted Rights in Technical Data and Computer Software clause at 48 C.F.R. 52.227-7013. 3Com Corporation, 5400 Bayfront Plaza, Santa Clara, California 95052-8145.

For civilian agencies:

Restricted Rights Legend: Use, reproduction or disclosure is subject to restrictions set forth in subparagraph (a) through (d) of the Commercial Computer Software - Restricted Rights Clause at 48 C.F.R. 52.227-19 and the limitations set forth in 3Com Corporation's standard commercial agreement for the software. Unpublished rights reserved under the copyright laws of the United States.

If there is any software on removable media described in this documentation, it is furnished under a license agreement included with the product as a separate document, in the hard copy documentation, or on the removable media in a directory file named LICENSE.TXT. If you are unable to locate a copy, please contact 3Com and a copy will be provided to you.

Unless otherwise indicated, 3Com registered trademarks are registered in the United States and may or may not be registered in other countries.

3Com and NETBuilder II are registered trademarks of 3Com Corporation.

Other brand and product names may be registered trademarks or trademarks of their respective holders.

DTE-TO-DCE ADAPTER RELEASE NOTES

These release notes describe, illustrate, and explain how to use the HSS RS-232 3-Port DTE-to-DCE Adapter.

Description

An RS-232 3-Port DTE-to-DCE adapter is used to connect a port on an HSS RS-232 3-Port DTE/DCE module using an RS-232 3-Port cable to a DTE device such as a cluster controller or a mainframe computer. You must be running NETBuilder® software version 9.1 or later to be able to connect to a DTE device.

The HSS RS-232 3-Port DTE/DCE module order number is 3C6041A.



To connect a module port to a DTE device, you need to change the jumper settings on the module and set the -PATH Service CLock parameter from External to Internal for the port that you are connecting to a DTE device. Refer to Chapter 1 of the NETBuilder II HSS RS-232 3-Port DTE/DCE Module Installation Guide for instructions.

This adapter has a DB-25 female connector on both sides (see Figure 1).

Connect the connector labeled "NB-II" to a DB-25 male connector of an RS-232 3-Port cable that is connected through its 50-pin connector to an HSS RS-232 3-Port DTE/DCE module.

Connect the connector labeled "To DTE" to the DTE device. You can connect the female adapter end directly to the DB25 male connector on the DTE device or to a DB-25 male connector on a cable coming from the DTE device.

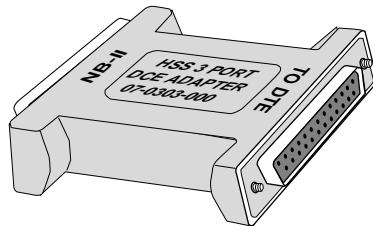


Figure 1 RS-232 3-Port DTE-to-DCE Adapter

DTE-to-DCE Adapter Pin Assignments

Figure 2 lists the pin assignments for the DTE-to-DCE adapter.

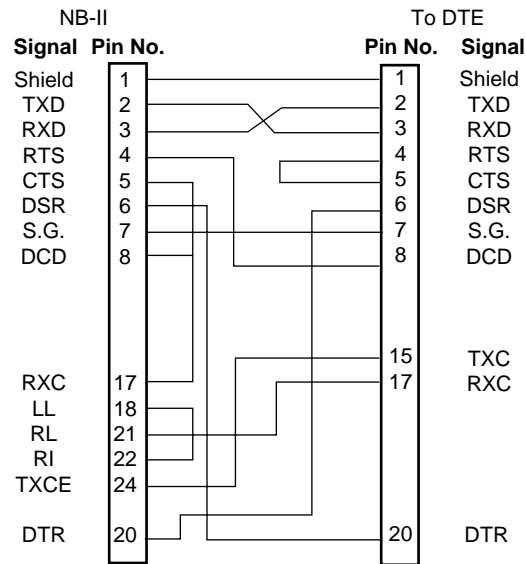


Figure 2 Pin Assignments for the DTE-to-DCE Adapter