

DATA SHEET

Form 1120-010123

Description

The SNAP-PS5 and SNAP-PS5-24DC power supplies can provide 5 VDC power for loads up to 4 amps. These power supplies are compatible with SNAP Ethernet I/O. Examples include: (1) SNAP B-Series brain, SNAP B-Series mounting rack, and control power for associated SNAP I/O modules; (2) SNAP-LCSX or SNAP-LCSX-PLUS controller, SNAP B-Series brain, SNAP B-Series mounting rack, and control power for up to eight digital and eight analog SNAP I/O modules. The SNAP-PS5-24DC DC-to-DC power supply provides power for systems using DC backup power.

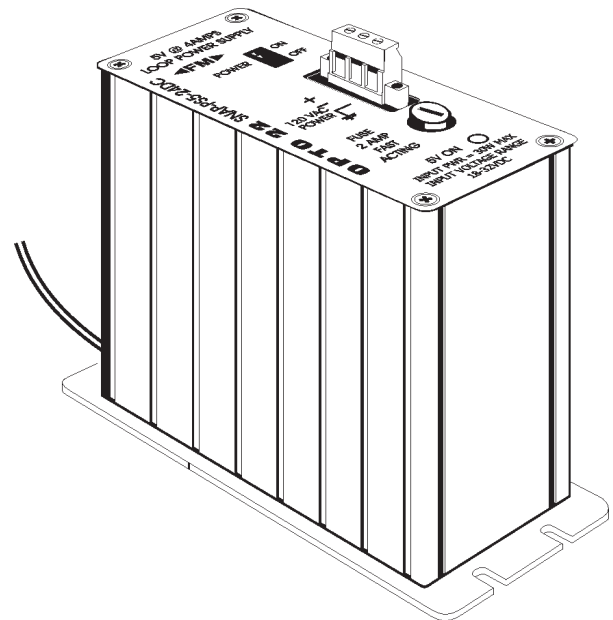
Either power supply can be mounted in two ways: next to a SNAP B-Series (rack and brain board) assembly using the standard panel-mounting base, or using the optional DIN-rail adapter (part number SNAP-PSDIN).

AC input power (-PS5) or DC input power (-PS5-24DC) connections are made to a removable terminal strip on top of the power supply. DC output power is then ready to be hooked up to the B-series rack using the attached wiring harness.

Specifications

Input Voltage	95-130 Volts AC, 47-64 Hz (-PS5) 18-32 Volts DC (-PS5-24DC)
Output Voltage	5.1 ± 0.1 Volts DC
Output Current	4.0 Amps
Dimensions	5.1" W x 1.85" D x 5.25" H
Weight	15 oz.
Temperature Operating Storage	0° C to 70° C -30° C to 85° C
Fuse (-PS5) Opto 22 P/N Vendor P/N	SNAP-FUSE1AB GDC-1A (Bussman)
Fuse (-PS5-24DC) Opto 22 P/N Vendor P/N	SNAP-FUSE2AB GDB-2A (Bussman)

Part Number	Description
SNAP-PS5	SNAP Power Supply 120 VAC input; 5V, 4 Amps output
SNAP-PS5-24DC	SNAP Power Supply 24 VDC input; 5V, 4 Amps output
SNAP-PSDIN	DIN-Rail Adapter

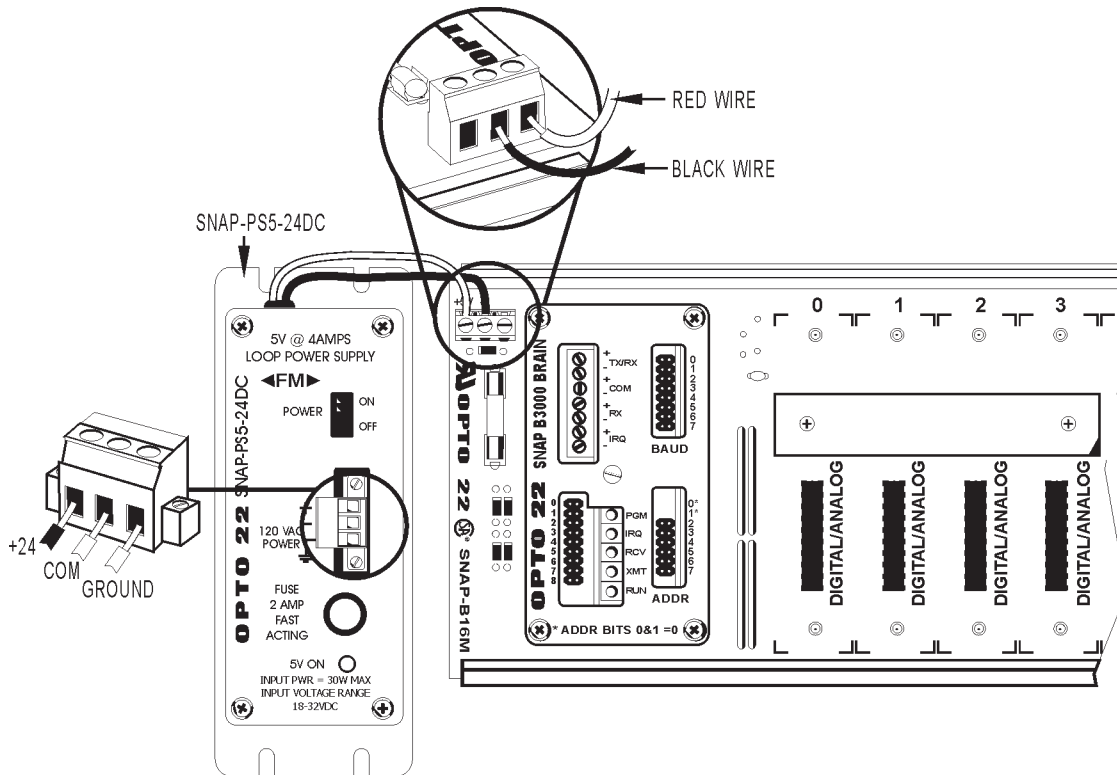


SNAP Power Supply - Panel Mount

Features

- Built-in fuse
- ON/OFF power switch
- Powers SNAP-LCSX controllers
- Powers any SNAP rack
- Convenient panel mounting
- Optional DIN-rail mounting
- Easy connections
- Brown out protection
- Wide input voltage range
- Factory Mutual approved

Installation



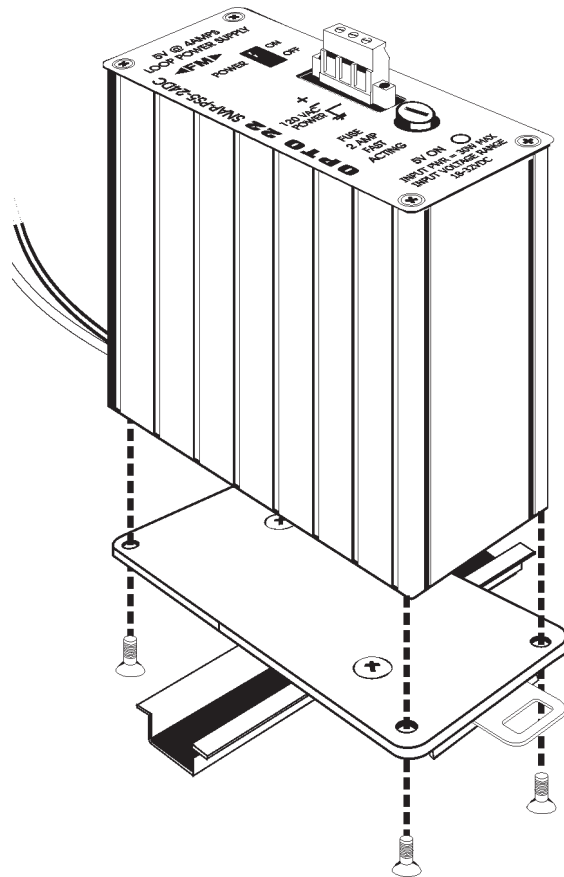
Mounting and Wiring:

1. Mount the SNAP-PS5 or SNAP-PS5-24DC power supply in a location where the attached red and black power wires will reach the "+" and "-" power terminals on the SNAP mounting rack.
2. Using the power terminals on the SNAP mounting rack, attach the red wire to the "+" terminal and the black wire to the "-" terminal.
3. For the SNAP-PS5 (not illustrated): Using the removable input power connector on top of the power supply, apply 120 volts AC power between the two terminals marked "AC." The ground terminal should be connected to ground.
4. For the SNAP-PS5-24DC (illustrated above): Using the removable input power connector on top of the power supply, apply 24 volts DC power between the two terminals marked "±DC." The ground terminal should be connected to ground.

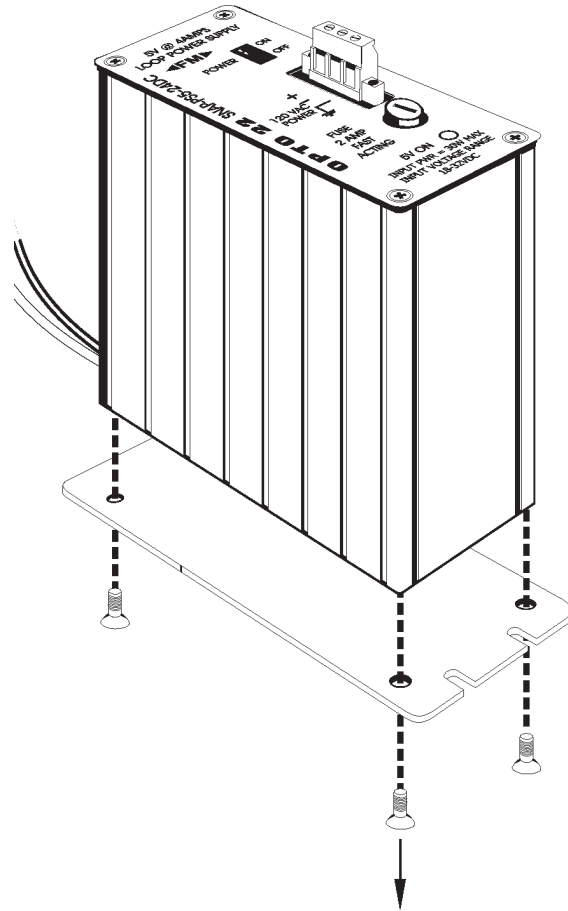
Installation

DIN-Rail Mounting (optional)

1. For DIN-rail mounting, remove the four screws that fasten the panel mounting base plate to the power supply (**Do not lose screws.**) Remove panel mounting base plate.



DIN-Rail Adapter Assembly (optional)



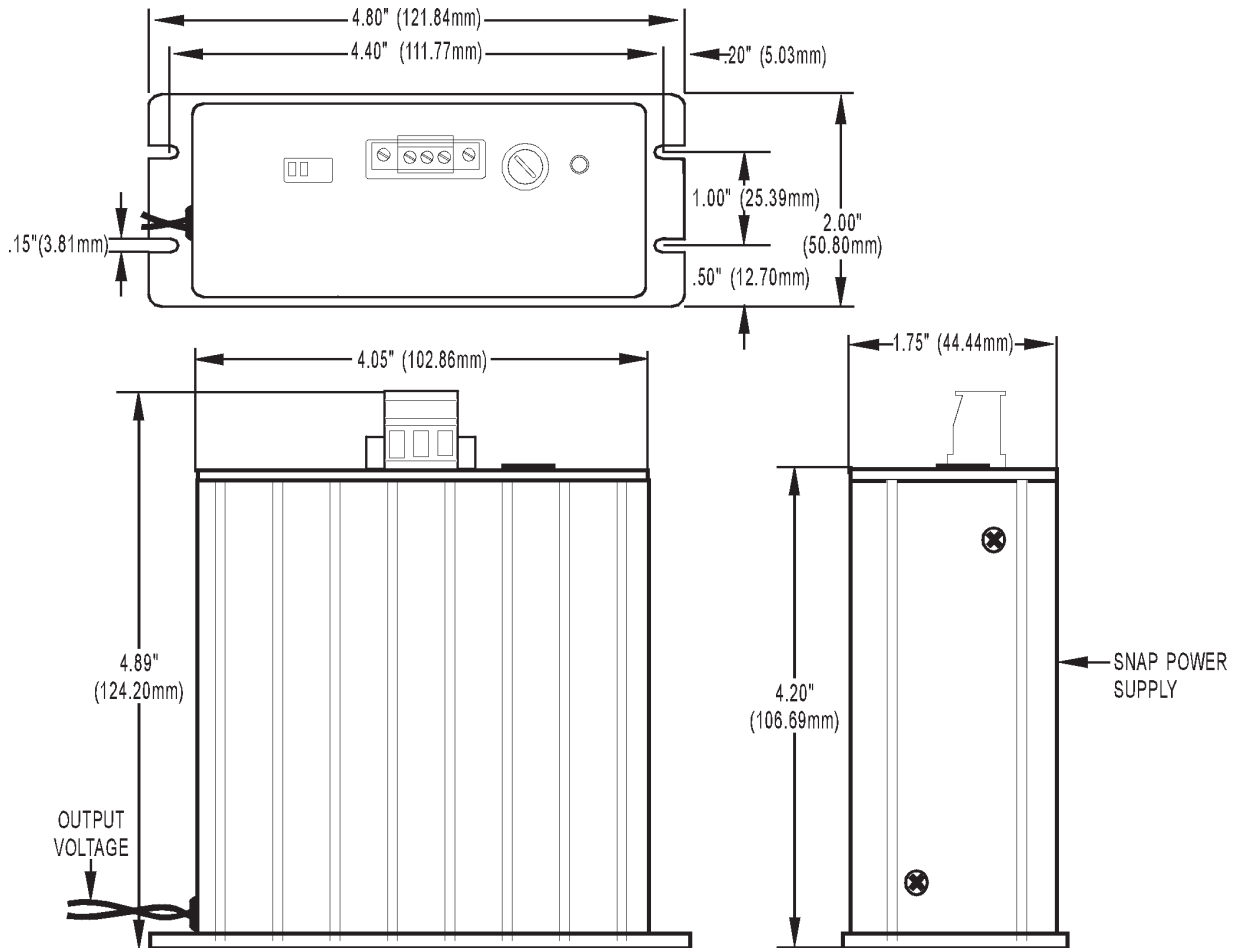
2. In place of the panel mounting base plate, use the four screws removed in step 1 to fasten the DIN-rail adapter to the power supply.
3. Mount the SNAP-PS5 or SNAP-PS5-24DC on the DIN-rail (next to the power connector on the rack and brain board assembly).

DATA SHEET

Form 1120-010123

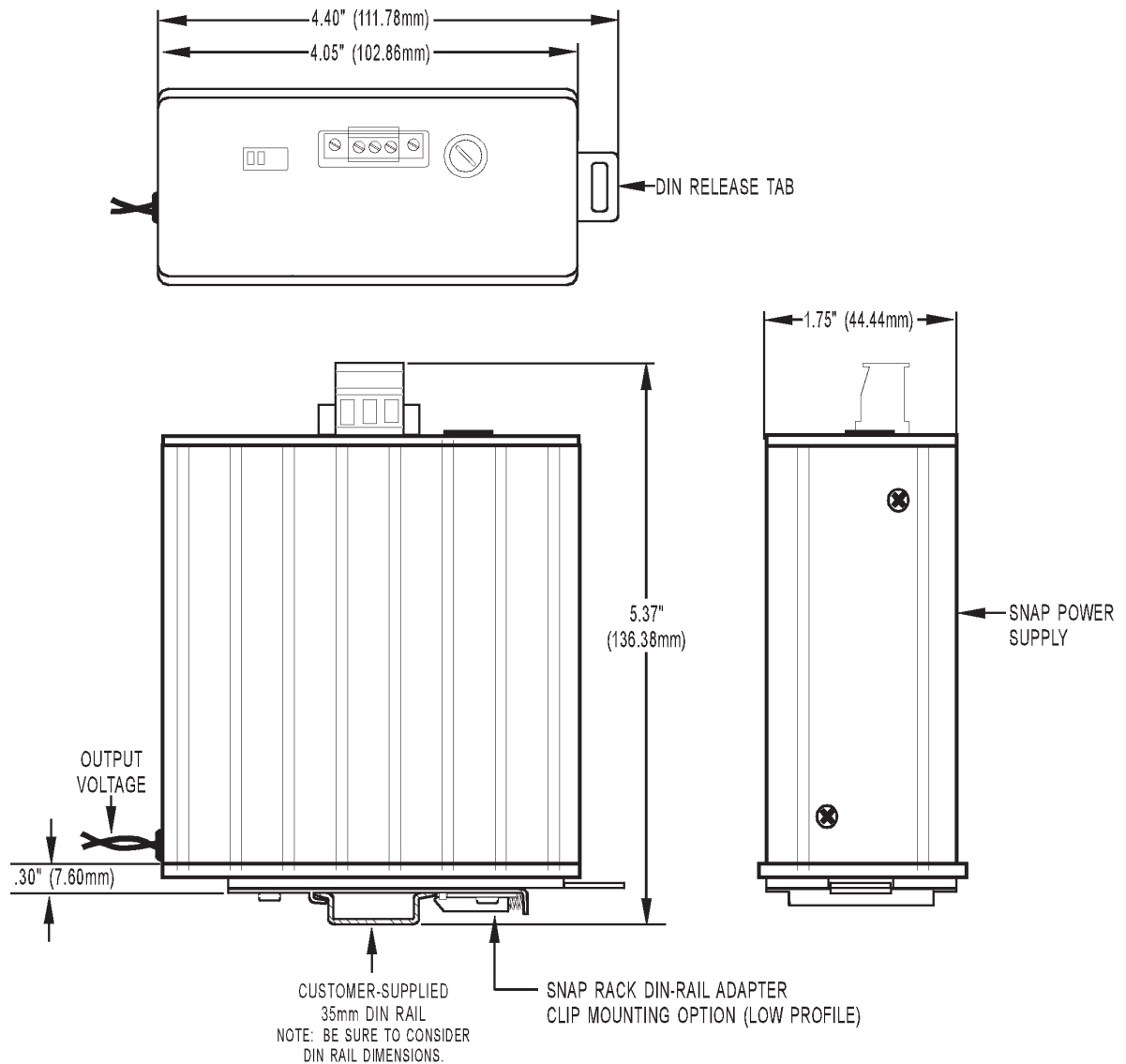
Dimensions

SNAP Power Supply - Panel Mount



Dimensions

SNAP Power Supply With DIN-Rail Adapter



Form 1120-010123

Dimensions

SNAP DIN-Rail Adapter (SNAP-PSDIN)

