

**The Oxygen™ ACX  
Graphics Accelerator  
User's Guide**

**3Dlabs,® Inc.**

**480 Potrero Avenue**

**Sunnyvale, CA 94086**

**408 - 530 - 4700**

**[www.3dlabs.com](http://www.3dlabs.com)**

Copyright 1999 by 3Dlabs, Inc.

3Dlabs and Permedia are registered trademarks, and Oxygen is a trademark of 3Dlabs, Inc. or 3Dlabs Inc. Ltd. Pentium is a registered trademark of Intel. OpenGL is a registered trademark of Silicon Graphics, Inc. Soft Engine is a trademark of Vibrant Graphics, Inc. AutoCAD is a registered trademark of AutoDesk Inc. Microsoft and Windows NT are registered trademarks of the Microsoft Corporation. All other trademarks and registered trademarks are the property of their respective holders.

Caution: Changes or modifications to the Oxygen ACX graphics accelerator card not expressly approved by 3Dlabs, Inc. void the user's warranty.

**FCC Notice:** This equipment has been tested and found to comply with the limits for a Class B digital device, pursuant to Part 15 of the FCC Rules. These limits are designed to provide reasonable protection against harmful interference in a residential installation. This equipment generates, uses, and can radiate radio frequency energy. If product is not installed and used in accordance with the instruction manual, it may cause harmful interference to radio communications; however, there is no guarantee that interference will not occur in a particular installation. If this equipment does cause harmful interference to radio or television reception, which can be determined by turning the equipment off and on, the user is encouraged to try to correct the interference by one or more of the following measures:

1. Re-orient or relocate the receiving antenna.
2. Increase the separation between the equipment and receiver.
3. Connect the equipment to an outlet on a circuit different from that to which the receiver is connected.
4. Consult 3Dlabs or an experienced radio/TV technician for assistance.

Compliance with FCC Rules requires that a shielded cable be used to connect to other equipment. This device complies with Part 15 of the FCC Rules. Operation is subject to the following two conditions: 1) this device may not cause harmful interference, and 2) this device must accept any interference received, including interference that may cause undesired operation.

This Class B digital apparatus meets all the requirements of the Canadian Interference-Causing Equipment Regulations. Cet appareil num\_rique de la classe B respecte toutes les exigences du R\_glement sur le mat\_rial brouilleur du Canada.

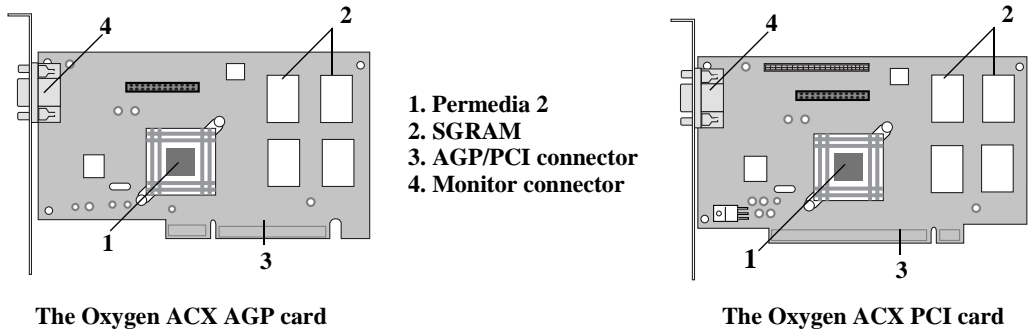
3Dlabs, Inc. makes no representation that the use of its products in the manner described in this publication will not infringe on existing or future patent rights, nor do descriptions contained in this publication imply the granting of licenses to make, use, or sell equipment or software in accordance with the description.

# **Introduction**

## Welcome to 3Dlabs!

Thank you for selecting a 3Dlabs® Oxygen™ ACX 2D/3D graphics accelerator card! Oxygen ACX delivers high-precision graphics acceleration on Windows NT, 95, 98, and 2000 platforms, with a choice of AGP or PCI form factors. A dedicated graphics processor, 8MB of high-speed SGRAM, and Soft Engine software from Vibrant Graphics ensure a dramatic performance boost to your AutoCAD performance.

## Overview



Oxygen ACX is the clear solution for AutoCAD acceleration on any Intel Pentium-based system. Oxygen ACX features include:

- **Permedia 2 graphics processor**
- **Soft Engine AutoCAD display list driver software**
- **8 MB high-speed SGRAM**
- **AGP or PCI bus support**
- **1600 x 1200 maximum resolution**
- **OpenGL 1.1 support**

## System Requirements

Your system must have the following features in order to support your card:

- **A Pentium® , Pentium Pro, Pentium II, or Pentium III based system**
- **The Windows® NT, 95, 98, or 2000 operating system**
- **32 MB RAM (Random Access Memory)**
- **16 MB minimum available hard drive space**

- **An AGP or PCI slot**
- **VGA multisync monitor**

## **Software Partners**

Your Oxygen ACX card has been tested with a variety of graphics software packages, several of which are listed below. As testing continues and performance optimizations are made, the results and techniques are posted on the 3Dlabs, as well as the appropriate software partner's, web site.

<b>Software Application</b>	<b>Web Site Address</b>
AutoCAD	<a href="http://www.autodesk.com">http://www.autodesk.com</a>
3D Studio MAX	<a href="http://www.ktx.com">http://www.ktx.com</a>
Lightscape	<a href="http://www.lightscape.com">http://www.lightscape.com</a>
LightWave 3D	<a href="http://www.newtek.com">http://www.newtek.com</a>
Maya	<a href="http://www.aw.sgi.com">http://www.aw.sgi.com</a>
MicroStation	<a href="http://www.bentley.com">http://www.bentley.com</a>
Pro/ENGINEER	<a href="http://www.ptc.com">http://www.ptc.com</a>
SDRC I-DEAS	<a href="http://www.sdrc.com">http://www.sdrc.com</a>
Softimage   3D	<a href="http://www.softimage.com">http://www.softimage.com</a>
SolidWorks	<a href="http://www.solidworks.com">http://www.solidworks.com</a>
Unigraphics	<a href="http://www.ug.eds.com/ug/">http://www.ug.eds.com/ug/</a>

# **Chapter 1 - Installation**

## Getting Ready

Whether you install your new card or driver software first depends on whether a video card is already present in your system.

**If there is a video card in your system:** Install the drivers first. Once the drivers are loaded, remove the old card and install the Oxygen ACX card. The driver installation instructions begin on page 6.

**If not:** Install your new card as described in the Installing Hardware section, below, then install the drivers.

### Before You Start

- **Take every possible precaution against static electricity as you prepare to install the card: static can damage components. We have included an anti-static wrist strap for you to wear while installing the hardware: you should also try to work in a static free area (such as on a tile floor rather than carpet). You might even consider wearing special ESD, or at least rubber-soled, shoes.**
- **Save any work in progress and exit any open applications. Always back up your system before you install new hardware or software.**
- **Have your anti-static strap and a Philips-head screwdriver ready.**

## Installing Hardware

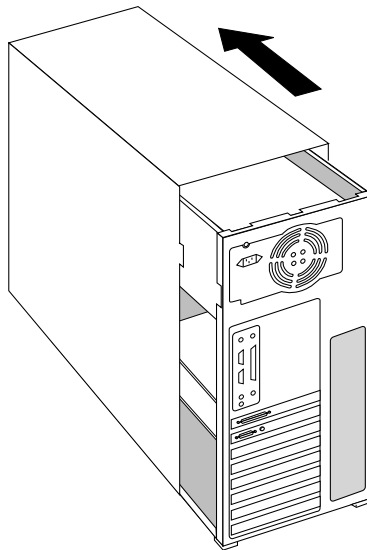
Your Oxygen ACX card has either an AGP or a PCI connector, and must be installed in the corresponding type of expansion slot. Since the location of expansion slots varies, please see your system documentation to locate the appropriate type of slot in your machine.

### **To remove an old card from your system:**

1. Turn off and unplug the power source for your system and each of its peripherals.
2. Unplug the monitor cable from the old card.
3. Remove any screws securing the card to the chassis.
4. Lift the card out of the slot.

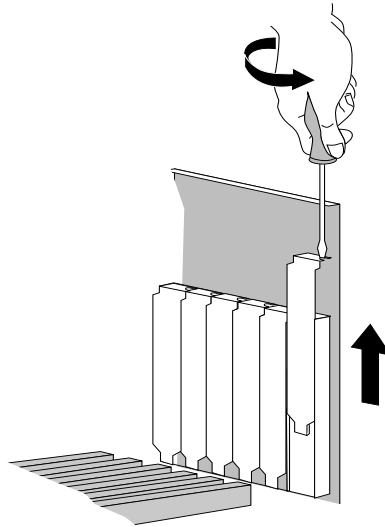
### **To install your Oxygen ACX card**

1. Turn off and unplug the power source for your system and each of its peripherals, if you have not already done so.
2. Remove the cover from your system so you can access the expansion slots. (See your system documentation for details.)

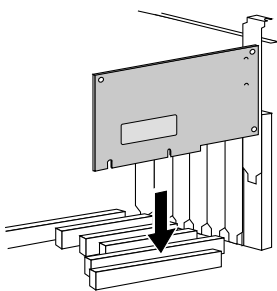




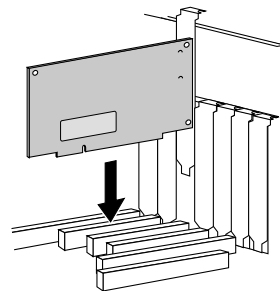
- Determine which slot you are going to use and remove its back panel cover.



- Attach the anti-static strap to your wrist, and attach the other end to a bare, metal (as opposed to painted or sticker-covered) surface on your system's chassis.
- Remove the card from its anti-static packaging. Write down the serial number for registration and future use.
- Place the card into the slot, and seat it firmly. See your system documentation for instructions on securing the card to the chassis. Loose cards and connections can cause grounding and operating problems.



**AGP card installation**

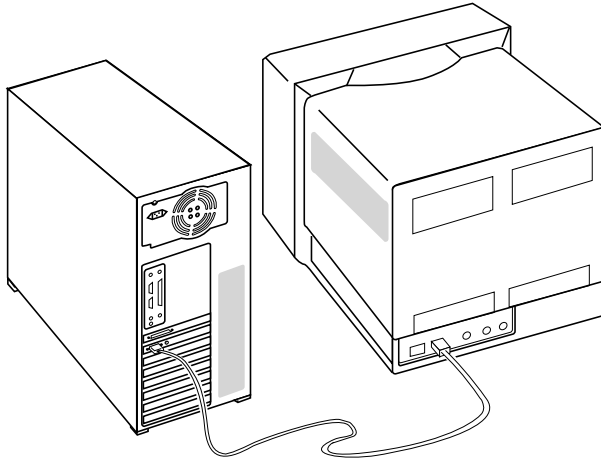


**PCI card installation**

- Remove the anti-static strap and replace the cover on your system.

## *Installing Hardware*

8. Connect the video cable from your monitor to the video connector on the card.



9. Plug in and start up your system, including peripherals, and log in to your Windows operating system.

## Installing the Driver Software

Your Oxygen ACX card includes video driver software, which you must install and configure. This OpenGL driver allows your system to harness the acceleration potential of your Oxygen card, and set image quality and performance preferences.

### **To install your Oxygen software**

1. Log in to Windows NT using any account that has administrator privileges.
2. Place the Oxygen CD-ROM in your CD-ROM drive. When the installation window opens, choose the Oxygen ACX installation.
3. Follow the instructions that appear on your screen. (Be sure to read the software license agreement.)
4. Restart your system at the prompt. You have installed your Oxygen software successfully!

## Installing Soft Engine

Soft Engine is an AutoCAD accelerator, and productivity tool package. Installing Soft Engine on your AutoCAD equipped system will improve graphics performance by up to four times.

**SOFT ENGINE WORKS EXCLUSIVELY WITH AUTODESK'S AUTOCAD R12, R13, R14, AND LT SOFTWARE. INSTALL SOFT ENGINE IF YOU USE ONE OF THESE AUTOCAD PROGRAMS. DO NOT INSTALL SOFT ENGINE IF YOU DO NOT USE ONE OF THESE AUTOCAD PROGRAMS; IT WILL HAVE NO BENEFICIAL EFFECT.**

### **To install Soft Engine**

1. Place the Oxygen CD-ROM in your CD-ROM drive. When the installation window opens, choose Install Soft Engine. A menu appears.
2. Select your AutoCAD product type to start the installation.
3. Follow the instructions that appear on your screen. You have installed your Soft Engine software successfully!

## Registering Oxygen ACX

When you register your Oxygen card you:

- **Activate your warranty**
- **Receive notification of software updates**
- **Qualify for technical support**

You can complete the registration card and return it to us in the mail, or register on-line once your hardware and software installations are complete. (You must have Internet access to register on-line.)

### **To register on-line**

1. Open your Internet browser.
2. Go to <http://www.3dlabs.com/register>
3. Fill out the registration form that appears on your screen, and click Submit when you are finished. You have registered successfully!

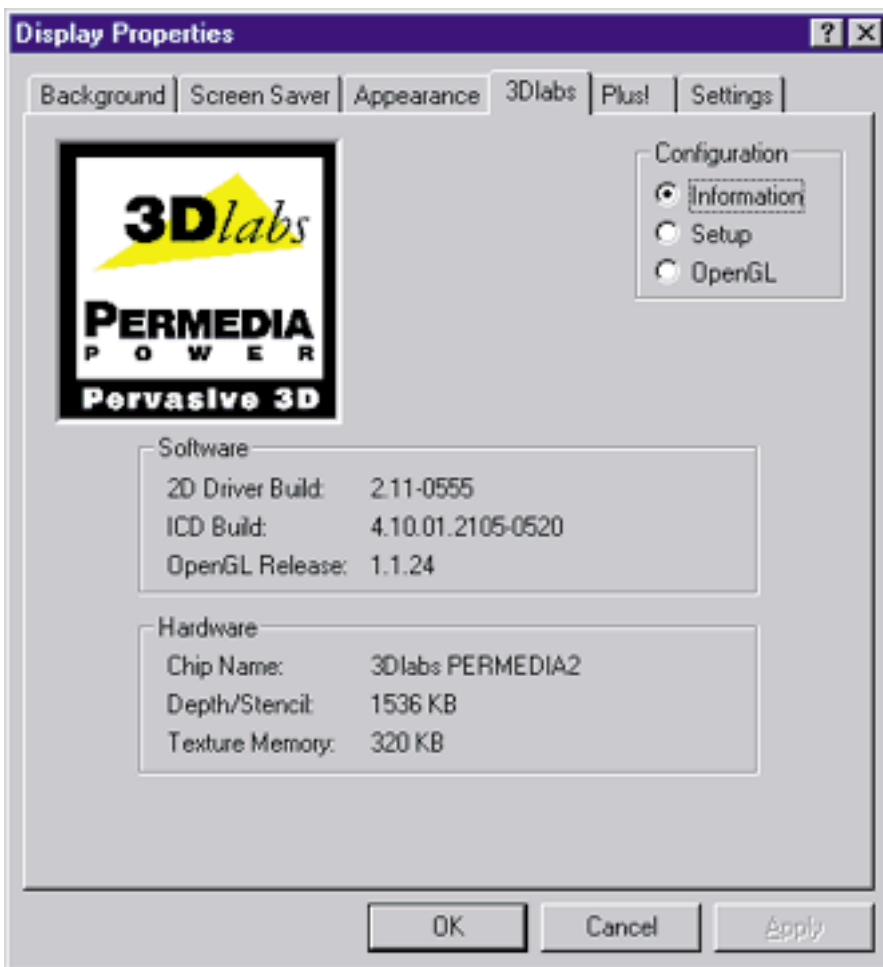
## **Chapter 2 - Software Configuration**

## The Oxygen ACX Driver

Oxygen ACX accelerates the OpenGL graphics pipeline via the Permedia 2 processor. The driver software supports and lets you customize certain Permedia 2 functions.

### Information Screen

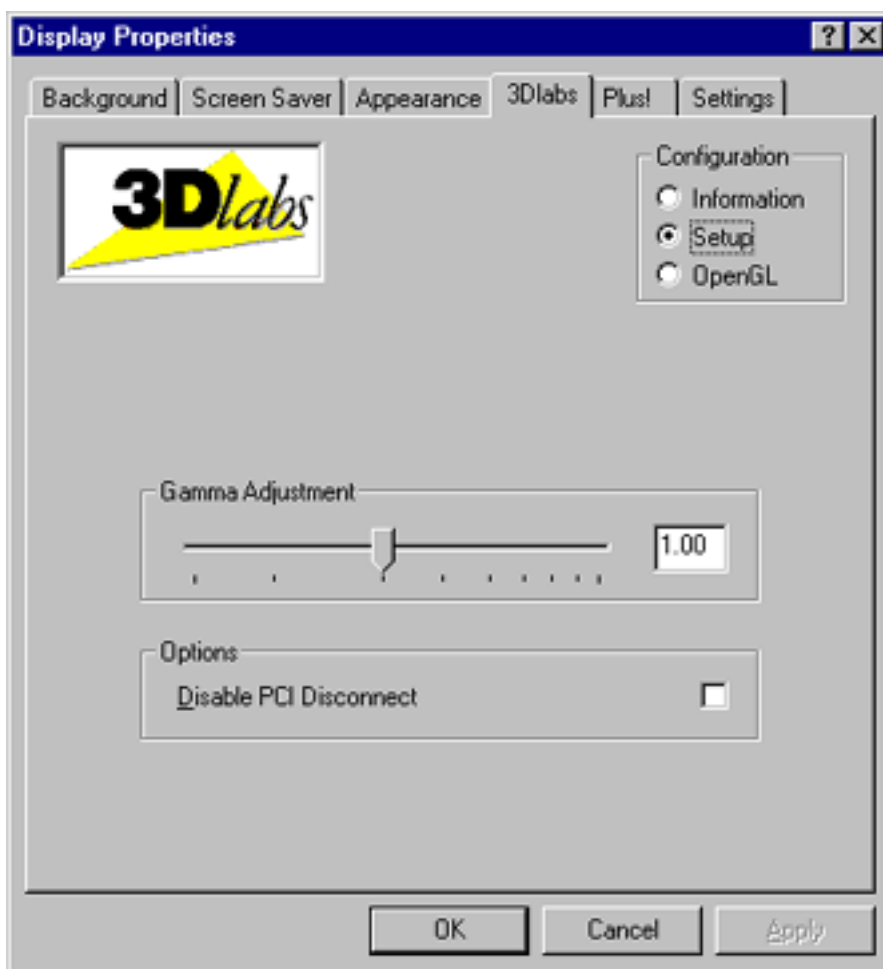
The Information screen appears first when you choose the 3Dlabs page in the Display Properties control panel, and provides useful information if you should need to communicate with 3Dlabs technical support. It is also the “point-of-entry” to the Setup screen and the OpenGL screen.



## Setup Screen

The Gamma Adjustment slider on the Setup screen lets you simultaneously adjust RGB color curves and define the color output for your display. You can also enter a precise Gamma value, rather than use the slider, when you know which value is appropriate for your monitor and ambient lighting conditions.

The Disable PCI Disconnect feature is used in certain troubleshooting situations. Unless 3Dlabs staff suggests otherwise in the course of solving a problem, leave this box unchecked.





## OpenGL Screen

The OpenGL screen provides these Advanced and Application Support options.



- Number of DMA Sub Buffers controls partitioning of data (primitives) sent to the graphics card from your system’s CPU. “3” is the optimal setting. If you choose a number less than 3, you may experience a significant performance impact. If you choose a number larger than 3 (and particularly larger than 5), your results will vary depending on your system configuration and the application you are using.
- Checking Wait for VBlank synchronizes double-buffering with screen refresh to prevent tearing in your 3D images. This setting is the default. Unchecking this can result in higher frame rates and benchmark scores, especially the OPC Viewperf benchmark. The slight performance penalty

associated with using this feature can be well worth the image quality enhancement.

# **Chapter 3 - Troubleshooting & Technical Support**

## Troubleshooting

If you have trouble using your Oxygen ACX card or a 3D application, you may find the answer to your problem in the following sections. Always start your problem solving efforts with the simplest solution and work up to the more complex ones.

### Monitors and Display Resolutions

**Question:** My monitor is either blank, or the displayed image is distorted, scrambled or smaller than I expected.

**Solution:** If the monitor is blank, be sure that your system and monitor are plugged in and turned on. Is the monitor's power cord attached securely? Check each component's documentation for the location and use of power connectors and switches.

**Solution:** Make sure that your video cable is connected securely to the monitor *and* to the monitor connector on your Oxygen ACX card. See your monitor documentation and Chapter 1 - Installation, in this document.

**Solution:** Your card might not be seated properly in the AGP slot. Remove and reinstall your card as described in Chapter 1 - Installation. Remember to use the anti-static wrist strap when opening your system and handling the card.

**Question:** The performance of and/or the available resolutions for my Oxygen ACX card are not what I expected.

**Solution:** The Oxygen driver may not have installed fully, or a file may have been corrupted. Try installing the driver again.

**Solution:** You may have selected a display setting that is incompatible with accelerated 3D graphics applications. See *Appendix A - Oxygen ACX Specifications*, for a list of compatible resolutions.

**Question:** When I restart my system, an "Invalid Display Settings" message appears on-screen, followed by "The default display resolution has been temporarily used by the system."

**Solution:** Within a few seconds, the error messages should be replaced by a window that allows you to set a display resolution. Pick your preferred resolution from the list and you should get the sharp results you expected.

## Systems and Networks

**Question:** Since installing the Oxygen card, my system either hangs or crashes to a blue screen when I try to start up, or the system starts up but VGA graphics don't display.

**Solution:** Try to disable "VGA Palette Snoop." Follow these steps.

1. Remove the Oxygen card and reinstall your old graphics card. See *Chapter 1 - Installation*, for instructions.
2. Restart your system and enter Setup at the on-screen prompt. The key command to enter Setup can differ with each BIOS, so consult your system documentation if you do not see the command displayed as the system boots.
3. Disable VGA Palette Snoop, again consulting your system documentation for its specific location in your BIOS.
4. Choose Exit and Save Settings.
5. Shut down, remove your old graphics card, and reinstall your Oxygen card.

**Solution:** Make sure that you are not using an old graphics board driver, and that you have uninstalled any graphics drivers other than Oxygen ACX — particularly those drivers provided by other companies using 3Dlabs chipsets.

**Solution:** Please see the System Integration Guide in the FAQ section at <http://www.3Dlabs.com>.

**Solution:** You may need to update your BIOS. See your system documentation for BIOS upgrade information.

**Question:** I'm experiencing network problems since I installed my Oxygen card.

**Solution:** If your Ethernet adapter is ISA-based, there may be a conflict between it and your Oxygen card. To resolve a conflict:

1. Go to Start/Programs/Administrative Tools and open Windows NT Diagnostics.
2. Click the Resources tab and select the IRQ button at the bottom of the panel.
3. If the same IRQ address (found in the IRQ column) is assigned to the Ethernet adapter and the Oxygen card, go on to step 4. If they are different, see the next solution.

### *Reaching Technical Support*

4. Open the Network control panel and click the Adapters tab.
5. Select your network adapter and click the Properties button. A setup box appears.
6. Enter an unused address in the setup box (check your system documentation for a list of valid IRQ addresses) and click OK twice. The control panel will close and a restart prompt appears.
7. Click Yes to restart your system.

**Solution:** You may need to reinstall or update your Ethernet driver. See your system or Ethernet adapter documentation for more information.

## **Reaching Technical Support**

If you cannot find the problem you are experiencing, or the solution to a problem, listed in this chapter, check the 3Dlabs web site for additional help. To contact 3Dlabs Technical Support, send an e-mail to:

support@3dlabs.com

### **Be sure to:**

1. Include a detailed description of your system (CPU type and speed, size of main memory) and the exact steps required to recreate the problem.
2. Note whether your Oxygen ACX card is AGP or PCI.
3. Include the information from the "Info" screen of the 3Dlabs page in the Display Properties control panel.

## **Chapter 4 - Glossary**

## **Terms and Definitions**

### **AGP**

Advanced Graphics Port.

### **Alpha Blending**

This means to create transparent objects by allowing for the blending of pixels to simulate the transparency characteristics of an object. With alpha information, an object can be designed from being totally transparent to opaque.

### **Alpha Buffer**

A portion of the frame buffer used to define the transparency value of a pixel in the frame buffer. This data can be used to blend the frame buffer pixel with the pixel to be drawn to create a composite pixel.

### **Anti-Aliasing**

A technique employed to remove any jagged edges from an object to appear smooth. This is accomplished by gradually modifying the hue and saturation of pixels.

### **API**

Application Programming Interface. The API translates the instructions from the application program into device commands that are specific to the screen's display controller, the graphics board.

### **Atmospheric Effects**

The effect derived from adding one or more layers around an object.

### **Bilinear Sampling**

The process whereby texture mapping is done through filtering.

### **Bit Depth**

Bit depth is another way of expressing the numbers of colors available. A color bit depth of 8 is equivalent to 256 colors, a bit depth of 16 (15 bit of color plus a 1 bit overlay) yields 32768 colors, and a bit depth of 32 (24 bit RGB plus 8 bit of overlays) equals 16.7 million colors. The latter is often referred to as true color.

### **Clipping**

Removal of elements or sections not contained within the active viewing area.

### **DAC**

Digital to Analog Converter.



### **Depth Cueing**

A technique used to give the illusion of depth. With depth cueing, the part of an object that is farther away is displayed with a lower intensity to give the effect of depth.

### **Dithering**

The process of converting an image with a certain bit depth to one with a lower bit depth. Dithering enables the application to convert an image's colors that it cannot display into two or more colors that closely resemble the original. Dithering works because the mind is tricked by the pattern of colors into thinking it's a different color.

### **Double Buffering**

With double-buffering, images are rendered in the back buffer and then displayed on the screen once the drawing is completed. This results in the smooth, flicker-free rotation and animation of 3D models and scenes.

### **Driver**

A driver is a special interface program that is developed to perform the communication between the application program, the device (i.e., graphics peripheral) and the operating system.

### **EVGA**

Extended Video Graphics Array. EVGA runs at 1024 x 768.

### **Flat Shading**

The simplest method of shading. Each triangle is assigned one single color, resulting in a faceted appearance of the surface.

### **Floating Point**

The portion of the mathematics execution unit of a processor generally associated with multiply and divide operations.

### **Frame Buffer**

A 24-bit, true-color frame buffer provides 8 bit for each red, green and blue primary display color. This results in 16.8 million color combinations. A second, or double, buffer enables system to calculate pixels one step ahead of the screen display for smooth, distortion free images.

### **Geometry**

The intermediate stage of the 3D pipeline, geometry determines the location of the object and the frame of reference of the viewer in relation to the object.

### **Gouraud Shading**

This method of shading, more complex than flat shading, shows subtle color changes across an object. Gouraud Shading is accomplished by adding pixels in a graduated scale of colors.

### **Graphics Accelerator Card**

A graphics accelerator performs 3D functions in the hardware, thereby relieving the CPU of repetitive, complex and intensive calls. This results in enhanced performance and speed.

### **Heidi**

The API developed by Autodesk to work with its products, such as 3D Studio MAX and AutoCAD.

### **MIP-Mapping (for texture processing)**

A feature that delivers photo-realistic images by wrapping 2D bitmaps around 3D objects closely matching the texture to the object. MIP-Mapping allows different versions of a texture to be used for objects of different sizes. It also enables faster performance as textures do not need to be scaled in real time.

### **MMX**

Multi Media eXtension, a set of 57 instructions, to be added to the x86 processor, to accelerate signal processing operations for multimedia.

### **Multiple Resolution Support**

The ability to support multiple resolutions on the screen.

### **OpenGL**

The industry standard library of advanced 3D graphics functions developed by Silicon Graphics, Inc.

### **Perspective Correction**

A function that allows an object to maintain its 3D textural features as it moves away from the viewer, into the background.

### **Pipelining**

A basic hardware tool for accelerating processes.

### **Pixel**

The smallest addressable element of a cathode ray tube display. More simply put, the individual dots that make up the screen image.

### **Point Sampling**

The basic method of adding texture to an object. Point sampling does not include any filtering of textures.

**RAMDAC**

The final component in the graphics subsystem that translates a digital image into an analog representation.

**Rasterization**

A method to fill in colors for all pixels bound by vertices.

**Rendering**

The final and most rigorous stage in the 3D pipeline where an object undergoes shading, texturing, etc.

**RISC**

Reduced Instruction Set Computing.

**SDRAM**

Synchronous DRAM is a cost-effective solution to improve bandwidth to and from memory, resulting in increased graphics performance.

**SDTP**

Super Desktop Publishing. SDTP runs at 1600 x 1200.

**Stencil Buffer**

Similar to stipple masking, the stencil buffer assists with the creation of transparent effects.

**Stipple masking**

A technique that spatially creates transparent effects by rendering an object through various patterns.

**SVGA**

Super Video Graphics Array. SVGA runs at 800 x 600.

**Tessellation**

The initial part of the 3D pipeline where the object is described by a set of triangles.

**Texture Mapping**

A technique that enables 2D graphic images to be “wrapped” around or “pasted” on to a 3D primitive. Perspective correction and lighting calculations allow for added realism.

**Transformation**

The change in rotation, size and perspective of an object in 3D space.

**Transparency**

A function that refers to the rendering of transparent (non-opaque) objects. Transparency is generally accomplished on a polygon rendering system using either screen-door transparency or alpha blending.

**Vectors/second**

Lines drawn per second.

**VGA**

Video Graphics Array. VGA runs at 640 x 480.

**VHR**

Very High Resolution. VHR runs at 1280 x 1024.

**VRAM**

Video Random Access Memory is an expensive, fast type of RAM that is used as display memory on high-end graphics boards.

**VRML**

Virtual Reality Modeling Language.

**Z-Buffer**

Z-Buffering is used to better define objects from the perspective of the third, or z, axis by allotting a depth coefficient to every pixel and sorting objects in real times or by using a dedicated z-buffer to hold objects not in view.

# Appendix A - Oxygen ACX Specifications

## General Specifications

Feature/Function	Implementation
Chipset	3Dlabs Permedia 2
Geometry Acceleration	Single-Threaded OpenGL
Bus type	AGP or PCI
Integrated 2D acceleration & VGA	64 bit
Memory	8 MB high-speed SDRAM on-board
Maximum True-Color resolutions	1600 x 1200

## Supported Resolutions

Display Resolution	Color Depth	Refresh Rate
1600x1200	64K/32K/256	85
1600x1200	64K/32K/256	75/60
1280x1024	64K/32K/256	100
1280x1024	64K/32K/256	85/75
1280x1024	T/64K/32K/256	60
1152x864	64K/32K/256	100
1152x864	T/64K/32K/256	85/75/60
1024x768	T/64K/32K/256	100/85/75/60
800x600	T/64K/32K/256	100/85/75/60
640x480	T/64K/32K/256	100/85/75/60

## **Appendix B - Warranty and Licenses**

## **Software License Agreement**

THIS IS A LEGAL CONTRACT BETWEEN YOU, THE END USER, AND 3DLABS, INC. BY USING THE SOFTWARE ACCOMPANYING THE OXYGEN ACX PRODUCT, YOU ARE ACCEPTING AND AGREEING TO BE BOUND BY THE TERMS OF THIS SOFTWARE LICENSE AGREEMENT. IF YOU ARE NOT WILLING TO BE BOUND BY THE TERMS OF THIS SOFTWARE LICENSE AGREEMENT, PROMPTLY RETURN THIS SOFTWARE LICENSE AGREEMENT WITH THE UNOPENED SOFTWARE ENVELOPE, OXYGEN CARD AND ANY OTHER ACCOMPANYING ITEMS AND 3DLAB PRODUCTS TOGETHER WITH YOUR RECEIPT TO YOUR PLACE OF PURCHASE FOR A FULL REFUND.

### **Software License and Restrictions**

The SOFTWARE delivered to you may embody and include, without limitation, certain software programs in object code form (machine-readable but not human-readable form) and documentation Use of the SOFTWARE can result in the production of FEATURES that are human-readable, including, without limitation, documentation, report formats, menus, audible prompts and tone sequences. Such SOFTWARE and FEATURES constitute copyrighted property proprietary to 3Dlabs, Inc. or its licensors, and 3Dlabs, Inc. or its licensors retain title to the SOFTWARE (excluding media on which recorded), FEATURES, all copies thereof, and all intellectual property rights therein. No title to the SOFTWARE, FEATURES, any copies thereof or any intellectual property rights therein, are transferred to you. You are hereby granted, for your own internal use only, a nontransferable, nonexclusive, perpetual, revocable license to use one (1) copy of the SOFTWARE and FEATURES on the computer on which the SOFTWARE was originally mounted or installed. Except as specifically authorized by this AGREEMENT, you may not copy the SOFTWARE or FEATURES for any purpose (except that you may make a use one (1) copy of the SOFTWARE solely for backup purposes. You shall not, whether through the use of disassemblers or any other means whatsoever (including but not limited to manual, mechanical or electrical means), reverse engineer, decompile, disassemble, destroy, disable, derive rules of protocol embodied in the SOFTWARE or derive source code from the SOFTWARE OR FEATURES, or attempt to permit any third party to do any of the foregoing. Any attempt to do any of the foregoing shall be a material breach of this AGREEMENT and the license granted herein, which shall immediately entitle 3Dlabs, Inc. to exercise any remedy that may exist at law or in equity. You may not transfer, loan, rent, lease, distribute or grant any rights in the SOFTWARE, FEATURES, copies thereof, or accompanying documentation in any form without the prior written consent of 3Dlabs, Inc.

### **Limited Warranty**

3Dlabs, Inc. warrants that the SOFTWARE AND FEATURES licensed to you under this AGREEMENT will perform in accordance with 3Dlabs, Inc. published specifications for use on the same operating system as used by you at the time of purchase of the SOFTWARE or the system on which the SOFTWARE is initially mounted or installed (WARRANTY) for a period of ninety (90) days after the date of delivery to you as evidenced by your receipt (WARRANTY PERIOD). If the SOFTWARE or FEATURES does not conform during the WARRANTY PERIOD, you agree to provide written notice of such failure to 3Dlabs, Inc. and 3Dlabs, Inc. will, at its sole option, repair or replace the SOFTWARE. 3Dlabs, Inc. does not warrant that the use of the SOFTWARE or FEATURES will be uninterrupted or error-free and hereby disclaims all liability on account thereof. THE REMEDIES PROVIDED HEREIN ARE YOUR SOLE AND EXCLUSIVE REMEDIES FOR BREACH OF WARRANTY. THIS WARRANTY IS IN LIEU OF ALL OTHER WARRANTIES OR CONDITIONS, EXPRESS OR IMPLIED, INCLUDING WARRANTIES OR CONDITIONS OF MERCHANTABILITY, NONINFRINGEMENT AND FITNESS FOR A PARTICULAR PURPOSE. SOME STATES OR COUNTRIES DO NOT ALLOW THE EXCLUSION OF IMPLIED WARRANTIES OR CONDITIONS, SO THE ABOVE EXCLUSION MAY NOT APPLY TO YOU.

## **Limited Liability**

NOTWITHSTANDING ANY PROVISION IN THIS LICENSE TO THE CONTRARY, 3DLABS, INC. OR ITS LICENSORS WILL NOT BE LIABLE FOR ANY SPECIAL, INCIDENTAL, INDIRECT OR CONSEQUENTIAL DAMAGES, HOWEVER CAUSED, OR ANY THEORY OF LIABILITY, WHETHER OR NOT 3DLABS, INC. HAS BEEN ADVISED OF THE POSSIBILITY OF SUCH DAMAGE OR LOSS. IN NO EVENT SHALL 3DLABS, INC. LIABILITY ARISING UNDER THIS LICENSE EXCEED THE AMOUNT PAID BY YOU [FOR THE SOFTWARE] GIVING RISE TO SUCH LIABILITY. THIS LIMITATION IS INTENDED TO LIMIT THE LIABILITY OF 3DLABS, INC. AND SHALL APPLY NOTWITHSTANDING ANY FAILURE OF ESSENTIAL PURPOSE OF ANY LIMITED REMEDY. SOME STATES OR COUNTRIES MAY NOT ALLOW THE FOREGOING LIMITATION, SO THE FOREGOING MAY NOT APPLY TO YOU.

## **Restricted Rights Notice**

Use, duplication or disclosure by the United States Government is subject to restrictions as set forth in subparagraphs (c)(1) and (c)(2) of the Commercial Computer Software - Restricted Rights clause at FAR Section 52.277-19 or (c)(1)(ii) of the Rights in Technical Data and Computer Software clause at DFARS Section 252.277-7013, as applicable. Unpublished - rights reserved under the copyright laws of the United States. Contractor: 3Dlabs Inc., Ltd., 480 Potrero Avenue, Sunnyvale, California 94086.

## **Termination**

You may terminate the license granted hereunder at any time by destroying all copies, mergers or modifications of the SOFTWARE, FEATURES and accompanying materials. 3Dlabs, Inc. may immediately terminate the license granted to you hereunder upon notice for failure to comply with the terms and conditions of this AGREEMENT. Upon such termination, you agree to destroy all copies, mergers and modifications of the SOFTWARE and FEATURES and accompanying documents. You agree that a breach of this AGREEMENT will result in irreparable damages to 3Dlabs, Inc. This AGREEMENT is the entire agreement between you and 3Dlabs, Inc. with respect to the use and licensing of the SOFTWARE provided with this AGREEMENT, and supersedes all proposals, warranties, prior agreements or any other communications between the parties relating to the subject matter hereof.

## **General**

This AGREEMENT will be governed by and construed in accordance with the laws of California without regard to conflicts of law principles or the UN Convention on the Sale of Goods. If for any reason a court of competent jurisdiction finds any provision of this AGREEMENT, or portion thereof, to be unenforceable, that provision of the AGREEMENT shall be enforced to the maximum extent permissible so as to effect the intent of the parties, and the remainder of this AGREEMENT shall continue in full force and effect. Should you have any questions concerning this AGREEMENT, please write to: 3Dlabs, Inc., 480 Potrero Avenue, Sunnyvale, California 94086.



## **Product Warranty**

### **Three (3) Year Parts and Labor Limited Warranty**

3Dlabs warrants that the Product provided by 3Dlabs (excluding any software) will be free from material defects in materials and/or workmanship for a period of three (3) years from the date of purchase of PRODUCT NAME by you, the Buyer. During this warranty period, 3Dlabs will correct any material defects in material or workmanship in the Product, or any failure of the Product to materially conform to 3Dlab's hardware specifications, at no-charge to you for materials and 3Dlab's in-house labor, in accordance with 3Dlab's Return Material Authorization ("RMA") policies which are available from 3Dlabs or an authorized 3Dlabs service center as provided below. Shipping costs must be pre-paid by Buyer. Any replacements parts/products will be new or serviceably used, and are warranted for the remainder of the original warranty or thirty (30) days from the date of shipment of the replacement parts/products, whichever is longer. The warranty period provided herein shall not be extended as a result of purchasing any additional parts/products from 3Dlabs. Buyer must notify 3Dlabs or an authorized 3Dlabs Service Center in writing if there is a defect in material or workmanship, and such written notice must, in all events, be received by 3Dlabs or an authorized 3Dlabs Service Center before expiration of the warranty period. Buyer's purchase receipt or other proof of date of original purchase by Buyer will be required before 3Dlabs will render any actions under the warranty provided herein. This warranty only covers failures due to defects in materials or workmanship that occur during normal use. It does not cover damage that occurs in shipment or failures that are result from, but are not limited to, accident, misuse, abuse, neglect, mishandling, misapplication, alteration, modification, fire, flood, earthquake, explosion, lightning, line power surge, introduction of sand, dust, humidity and liquids, damage attributable to acts of God, or service by any entity other than 3Dlabs or an authorized 3Dlabs service center. The warranty provided herein is non-transferable.

### **Limits and Exclusions**

THE WARRANTY STATED ABOVE IS THE ONLY WARRANTY AND BUYER'S ONLY REMEDY APPLICABLE TO THIS PRODUCT. ALL OTHER WARRANTIES, EXPRESS OR IMPLIED (INCLUDING ALL IMPLIED WARRANTIES OF MERCHANTABILITY, NONINFRINGEMENT OR FITNESS FOR A PARTICULAR PURPOSE) ARE HEREBY DISCLAIMED. 3DLABS SHALL NOT BE LIABLE FOR INCIDENTAL OR CONSEQUENTIAL DAMAGES RESULTING FROM THE USE OF THIS PRODUCT, OR ARISING OUT OF ANY BREACH OF THIS WARRANTY. Some states do not allow limitations on implied warranties or conditions, incidental or consequential damages, so the above limitation may not apply to you. Some states do not allow the exclusion or limitation of incidental or consequential damages, so the above limitation or exclusion may not apply to you.

### **Inquiries and RMAs**

**For inquiries and RMAs in the United States or Asia (other than Japan), please direct all communications to:**

3Dlabs, Inc., LRMA Department, 480 Potrero Avenue, Sunnyvale, CA 94086  
(408) 530-4700

**For inquiries and RMAs in Europe, please direct all communications to:**

3Dlabs, Ltd., RMA Department, Meadlake Place, Thorpe Lea Road, Egham, Surrey, TW20 8HE, England  
44 + 1784 + 470555

**For inquiries and RMAs in Japan, please direct all communications to:**

3Dlabs K.K., RMA Department, Level 16, Shiroyama Hills, 4-3-1, Toranomom, Minato-ku, Tokyo 105, Japan  
81+ 3 + 5403 + 4654

## Appendix C - Declaration of Conformity

We, 3Dlabs, Incorporated,  
480 Potrero Avenue  
Sunnyvale, CA 94086  
Phone 408-530-4700  
Fax 408-530-4701  
United States of America

declare under our sole responsibility that the product

3Dlabs® Oxygen™ ACX

to which this declaration relates are in conformance with the following standards:

EN55022:1987  
EN50082-1:1992  
IEC801-2:1984  
IEC801-3:1984  
IEC801-4:1987

following the provisions of the 89/336/EEC Directive.  
San Jose, California, September 30, 1998  
3Dlabs, Inc.

We, 3Dlabs, Incorporated,  
480 Potrero Avenue  
Sunnyvale, CA 94086  
Phone 408-530-4700  
Fax 408-530-4701  
United States of America

declare under our sole responsibility that the product

3Dlabs® Oxygen™ ACX

comply with Part 15 of FCC Rules. Operation is subject to the following two conditions: (1) this device may not cause harmful interference, and (2) this device must accept any interference received, including interferences that may cause undesired operation.

# Index

## A

accelerator, graphics	21
AGP	ii, 19
alpha blending	19
alpha buffer	19
anti aliasing	19
anti-static procedures	2
API	19
atmospheric effects	19

## B

bilinear sampling	19
bit depth	19

## C

clipping	19
color curves	11

## D

DACs	19
declaration of conformity	29
depth cueing	20
dithering	20
dma sub buffers	12
double buffering	20
drivers	
definition	20
Heidi	21
installation	6
OpenGL	21
Oxygen ACX	10

## E

EVGA	20
------	----

## F

FCC statement	29
flat shading	20
floating point	20
frame buffer	20

## G

gamma adjustment	11
geometry	20
Gouraud shading	21

graphics accelerator	21
graphics processor	ii

## H

Heidi	21
-------	----

## I

installation	
anti-static procedures	2
back up first	2
before you start	2
card	3
expansion slots	3
Soft Engine	7
software/drivers	6
tools	2

## M

mapping	
mip	21
texture	22
memory	ii
SDRAM	22
VRAM	23
MMX	21
monitors	
adjusting gamma	11
multiple resolution support	21

## O

OpenGL	ii, 10, 12, 21
Oxygen ACX	
driver setup	10
features	ii
gamma adjustment	11
installation	3
system requirements	ii

## P

PCI	ii
Permedia 2	ii
perspective correction	21
pipelining	21
pixel	21
point sampling	21
processor	ii
processors	
floating point	20

MMX	21	resolution problems	15
		system problems	16
<b>R</b>			
ramdac	22	<b>V</b>	
rasterization	22	VBlank	12
registration	8	vectors/second	23
rendering	22	VGA	
resolutions		definition	23
EVGA	20	palette snoop	16
maximum	ii	VHR	23
multiple	21	VRAM	23
SDTP	22	VRML	23
supported	24	<b>W</b>	
SVGA	22	Windows	
VGA	23	2000	ii
VHR	23	95	ii
RISC	22	98	ii
		NT	ii
<b>S</b>			
SDRAM	22	<b>Z</b>	
SDTP	22	Z-buffer	23
SGRAM	ii		
shading			
flat	20		
Gouraud	21		
Soft Engine	ii, 7		
Softimage	12		
software			
installation	6		
setup	10		
software partners	iii		
specifications	24		
static electricity	2		
stencil buffer	22		
stipple masking	22		
SVGA	22		
system requirements	ii		
<b>T</b>			
technical support	17		
tessellation	22		
texture mapping	22		
texture processing	21		
transformation	22		
transparency	23		
troubleshooting			
monitor problems	15		
network problems	16		