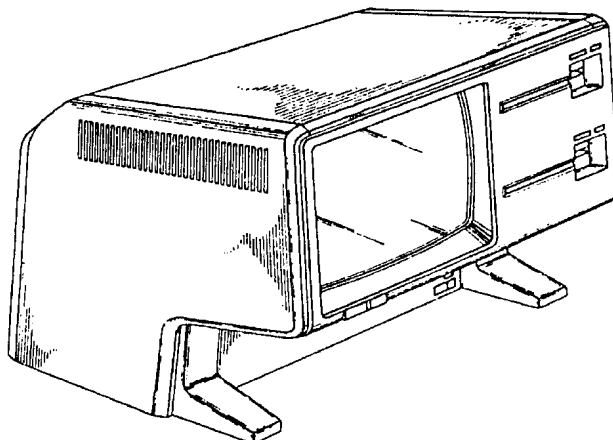


Illustrated Parts List



Source

Lisa Level I Technical Procedures
Illustrated Parts List
October 1988
Apple Computer, Inc.



LISA/MACINTOSH XL ILLUSTRATED PARTS LISTS

TABLE OF CONTENTS

Section 1. Lisa 1.0 Illustrated Parts List

Chassis 3.....1.1
Top Assembly.....1.3
Video Assembly.....1.5
Chassis 1.....1.7
Disk Drive Assembly.....1.9
Card Cage.....1.11
CPU Board.....1.13
I/O Board.....1.15

Section 2. Lisa 2 Illustrated Parts List

Front Bezel.....2.1
Top Assembly.....2.3
Chassis 4.....2.5
Video Assembly.....2.7
Chassis 2.....2.9
Chassis 1.....2.11
Disk Drive Assembly.....2.13
Card Cage.....2.15
CPU Board.....2.17
I/O Board.....2.19

Section 3. Macintosh XL Illustrated Parts List

Front Bezel.....3.1
Top Assembly.....3.3
Chassis 4.....3.5
Video Assembly.....3.7
Chassis 2.....3.9
Chassis 1.....3.11
Disk Drive Assembly.....3.13
Card Cage.....3.15
CPU Board.....3.17
I/O Board.....3.19

end 3.22



Lisa 1.0 Technical Procedures

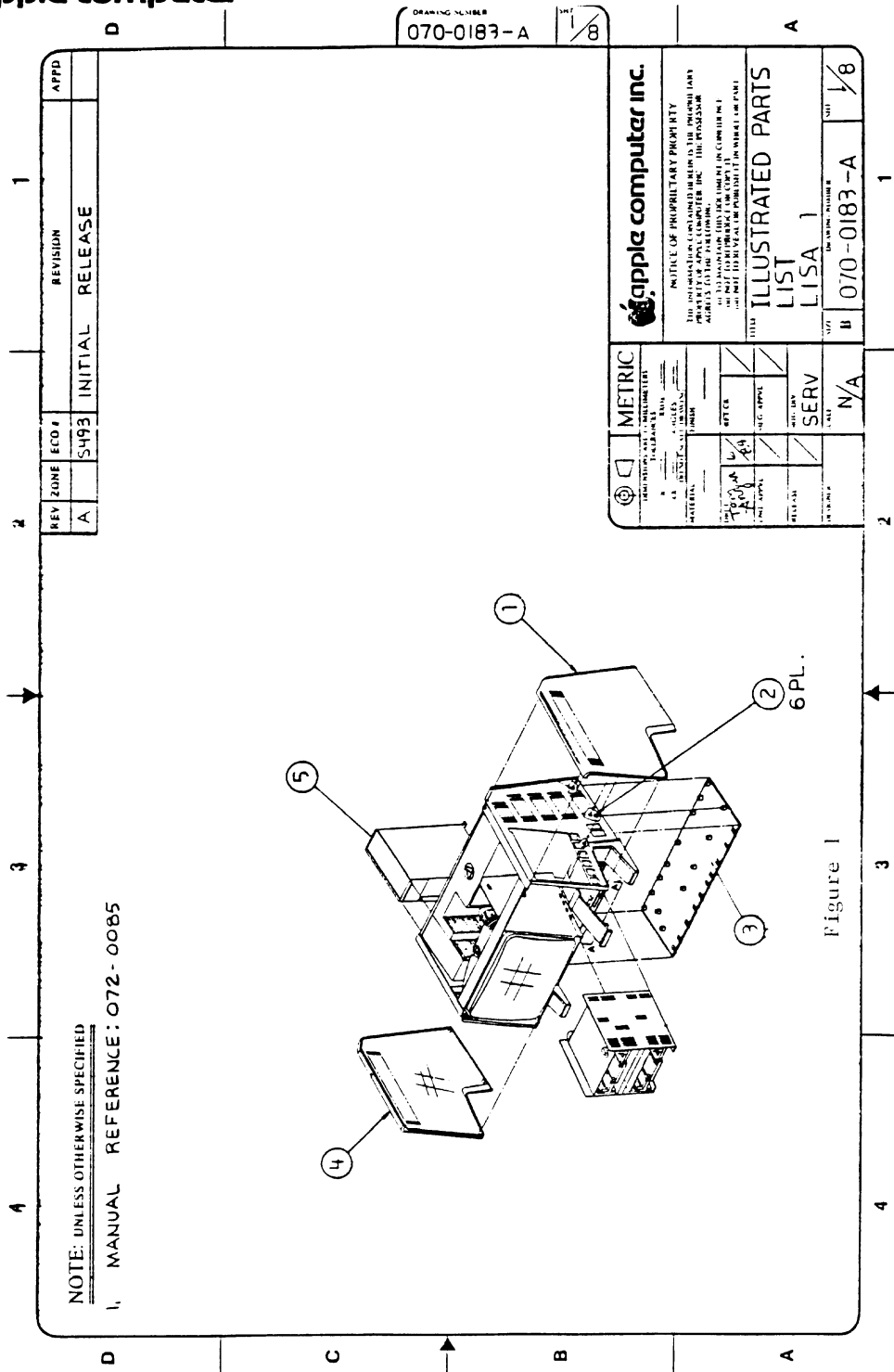
Section 1

Illustrated Parts List

The figures and lists below include all piece parts that can be purchased separately from Apple for the Lisa 1.0, along with their part numbers. These are the only parts available from Apple. Refer to your Apple Service Programs manual for prices.

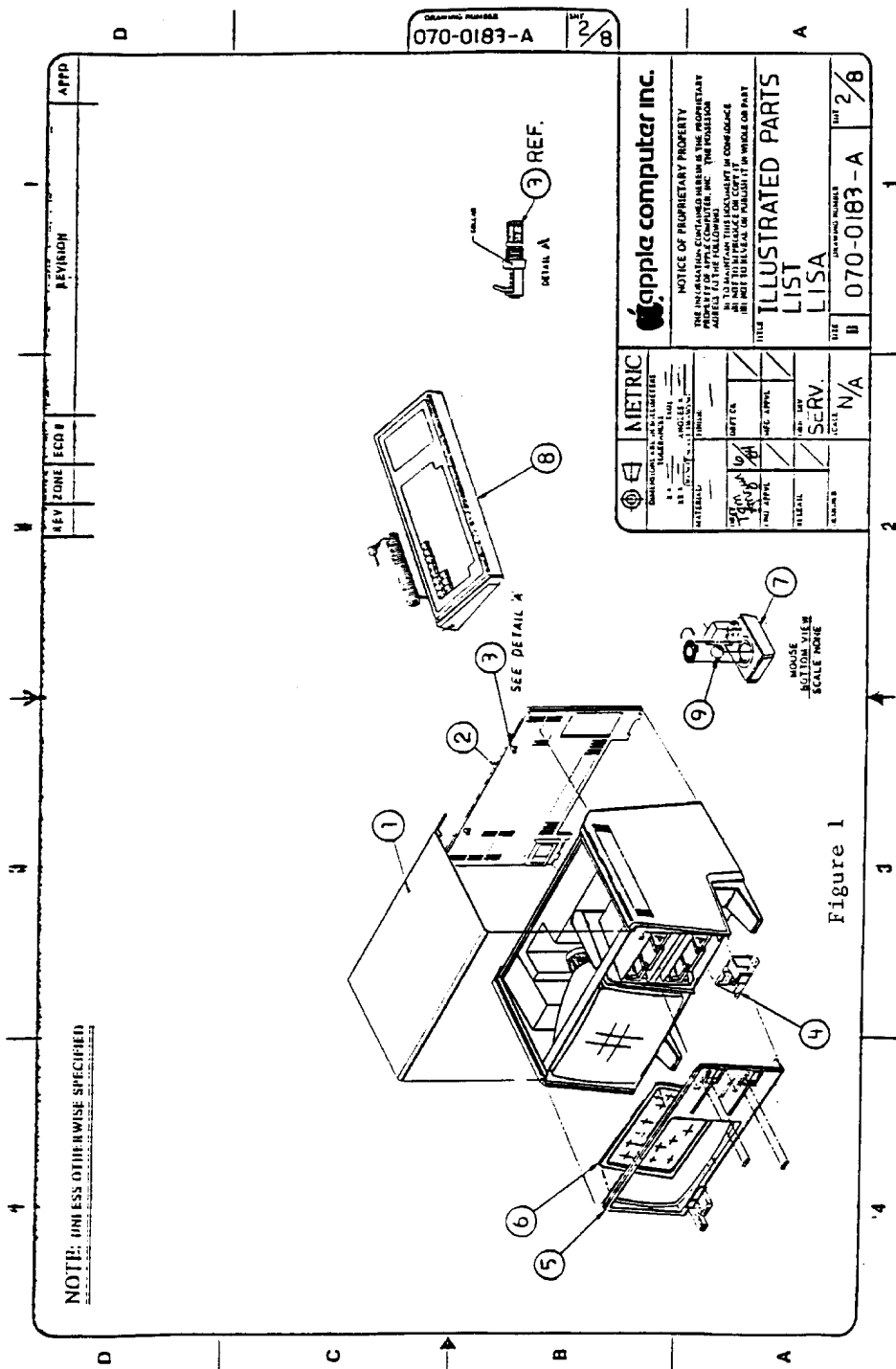
Contents:

| | |
|--------------------------|------|
| Chassis 3..... | 1.1 |
| Top Assembly..... | 1.3 |
| Video Assembly..... | 1.5 |
| Chassis 1..... | 1.7 |
| Disk Drive Assembly..... | 1.9 |
| Card Cage..... | 1.11 |
| CPU Board..... | 1.13 |
| I/O Board..... | 1.15 |



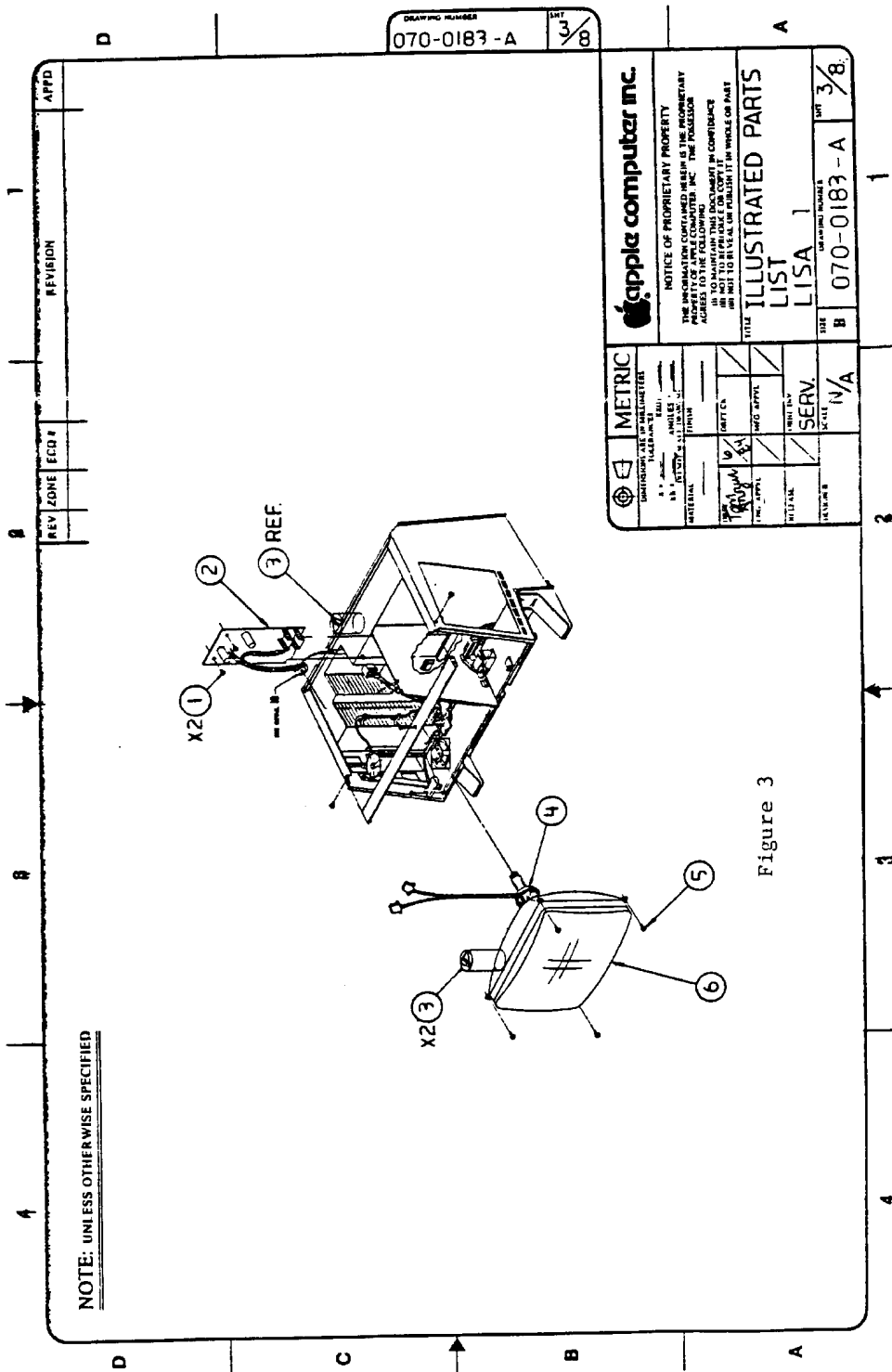
**LISA 1.0 CHASSIS 3 (Figure 1)**

| Item | Part No. | Description |
|-------------|-----------------|----------------------------------|
| 1 | 815-4073 | Right Side Plastic |
| 2 | 430-3001 | Bottom Pan Screw, Tap 6-20x0.375 |
| 3 | 815-4090 | Bottom Pan |
| 4 | 815-4074 | Left Side Plastic |
| 5 | 661-93108 | Lisa 1.0/2.0 Power Supply |



**LISA 1.0 TOP ASSEMBLY (Figure 2)**

| Item | Part No. | Description |
|-------------|-----------------|--|
| 1 | 815-4075 | Top Cover Plastic |
| 2 | 620-5105 | Subassembly, Back |
| 3 | 830-0051 | Fastener, 1/4 Turn |
| 4 | 076-0104 | Lisa/Macintosh XL Soft Switch Assembly |
| 5 | 620-5127 | Lisa 1.0 Bezel Subassembly |
| 6 | 620-6112 | Glare Screen Assembly |
| 7 | 661-93111 | Lisa Mouse |
| 8 | 661-93109 | Lisa/Macintosh XL Keyboard |
| 9 | 699-8001 | Rubber Coated Mouse Ball |



**LISA 1.0 VIDEO ASSEMBLY (Figure 3)**

| Item | Part No. | Description |
|-------------|-----------------|-------------------------------------|
| 1 | 400-1603 | Video Board Screw, 6-32x3/16 |
| 2 | 661-93107 | Lisa/Macintosh XL Video Board |
| 3 | 825-4002 | Label, Danger |
| 4 | 159-0015 | Magnet, Yoke Trim |
| | 159-0020 | Magnet, Yoke, Yellow |
| | 159-0021 | Magnet, Yoke, Red |
| | 159-0022 | Magnet, Yoke, Green |
| | 159-0023 | Magnet, Yoke, Blue |
| 5 | 450-0020 | Serrated Washer CRT 8-32x0.375 |
| 6 | 076-0105 | Lisa/Macintosh XL CRT Yoke Assembly |



DRAWING NUMBER 070-0183-A SHEET 4/8

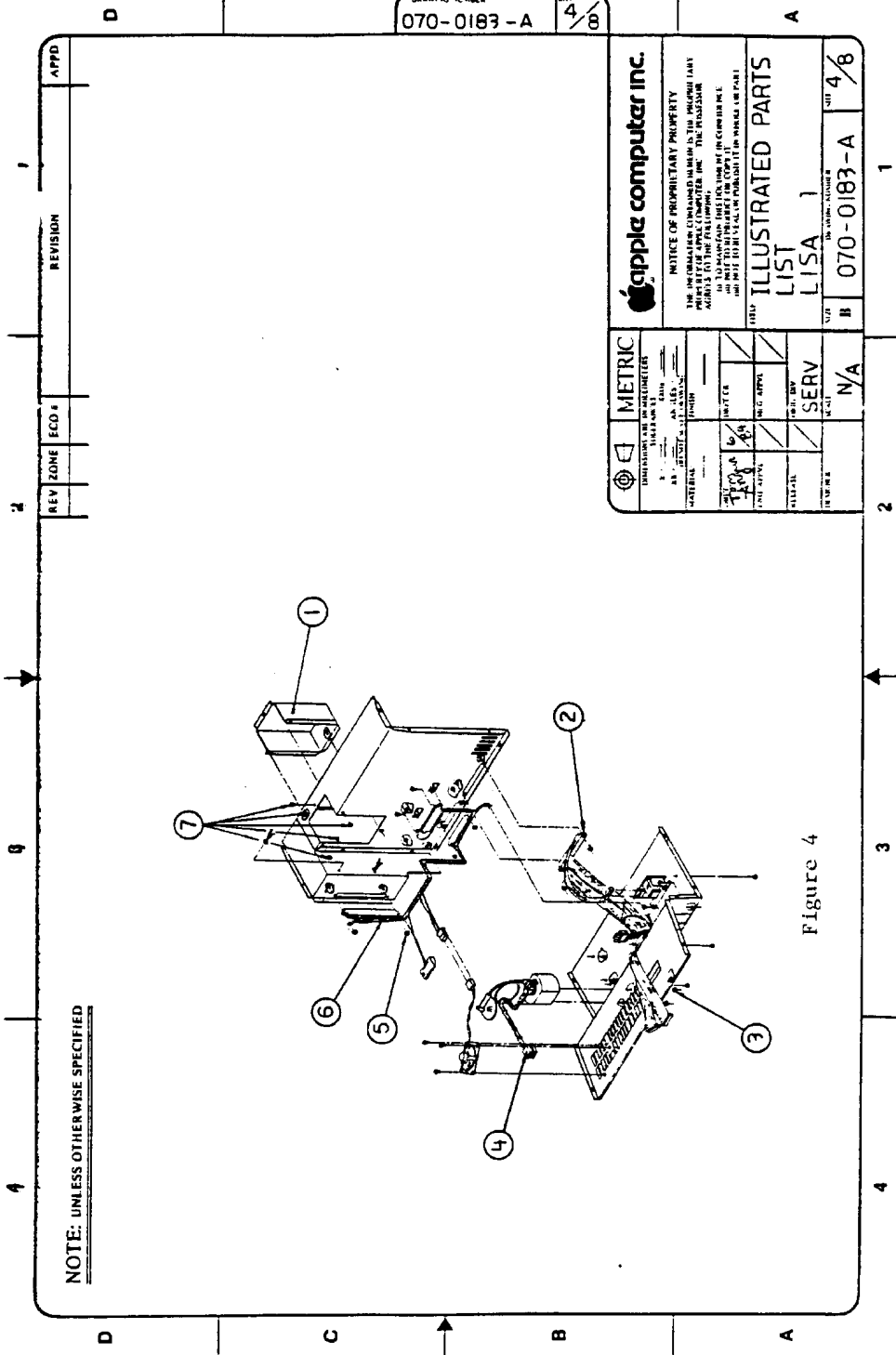
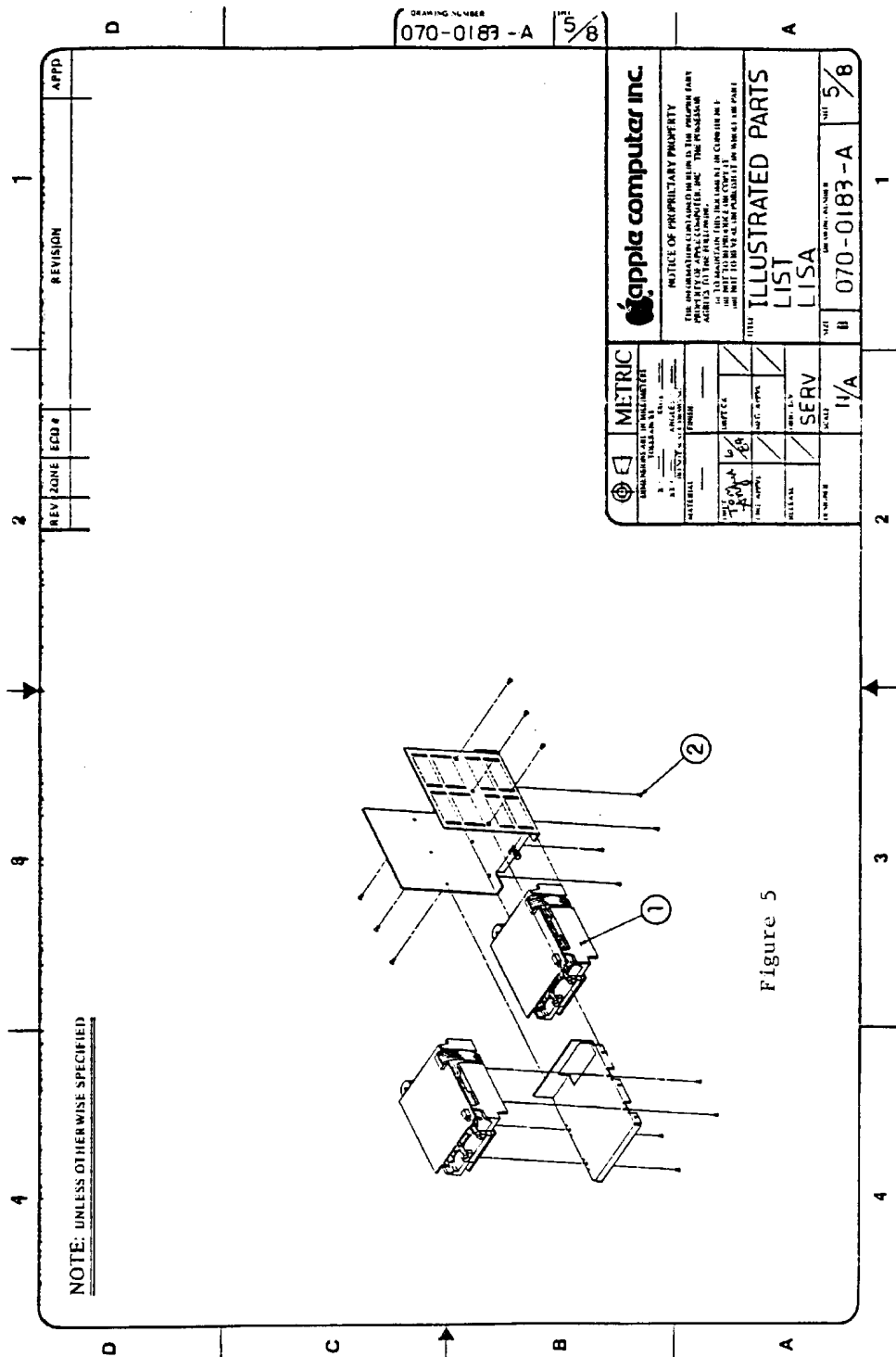


Figure 4

| | |
|---|--|
| <p>apple computer inc.</p> <p>NOTICE OF PROPRIETARY PRIVILEGE THE INFORMATION CONTAINED HEREIN IS THE PROPRIETARY PROPERTY OF APPLE COMPUTER, INC. THE PROVISION OF THIS INFORMATION IS FOR IDENTIFICATION PURPOSES ONLY. IT IS NOT TO BE REPRODUCED OR TRANSMITTED IN ANY FORM OR BY ANY MEANS, ELECTRONIC OR MECHANICAL, INCLUDING PHOTOCOPYING, RECORDING, OR BY ANY INFORMATION STORAGE AND RETRIEVAL SYSTEM.</p> | |
| <p>ILLUSTRATED PARTS LIST</p> <p>LISA 1</p> <p>REV B 070-0183-A SHEET 4/8</p> | |
| <p>METRIC</p> <p>ILLUSTRATION IN MILLIMETERS</p> <p>UNLESS OTHERWISE SPECIFIED</p> <p>AS SHOWN</p> | <p>UNIT CONV</p> <p>SERV</p> <p>N/A</p> |
| <p>DATE</p> <p>BY</p> <p>CHKD</p> <p>APPV</p> <p>INSTR</p> | <p>DATE</p> <p>BY</p> <p>CHKD</p> <p>APPV</p> <p>INSTR</p> |

**LISA 1.0 CHASSIS 1 (Figure 4)**

| Item | Part No. | Description |
|-------------|-----------------|---|
| 1 | 805-4008 | CRT Cup |
| 2 | 591-0002 | Cable Assembly, Disk Drive, Lisa 1.0/2.0 |
| 3 | 835-0181 | Nut/Washer Assy, M3 0.5, Lisa/Macintosh XL Flyback |
| 4 | 076-0106 | Lisa/Macintosh XL Flyback Transformer |
| 5 | 835-0150 | Nut/Washer Assy, Card Cage Chamber |
| 6 | 591-0003 | Cable Assembly, Power, Lisa 1.0 |
| 7 | 400-1603 | Video Board Screw, 6-32x3/16 |



LISA 1.0 DISK DRIVE ASSEMBLY (Figure 5)

| Item | Part No. | Description |
|-------------|-----------------|----------------------------|
| 1 | 661-93110 | Lisa 1.0 Drive Module |
| 2 | 400-3604 | Disk Drive Screw, 6-32x1/4 |



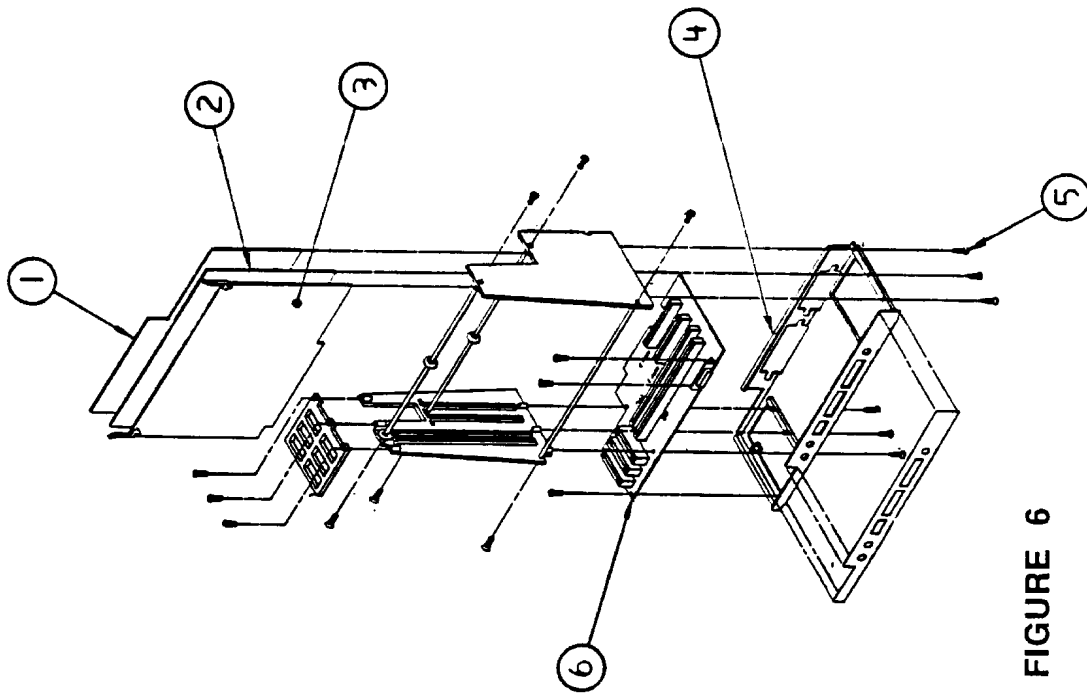


FIGURE 6

LISA 1.0 CARD CAGE (Figure 6)

| Item | Part No. | Description |
|-------------|-----------------|--------------------------------|
| 1 | 661-93105 | Lisa/Macintosh XL Memory Board |
| 2 | 661-93103 | Lisa/Macintosh XL CPU Card |
| 3 | 661-93104 | Lisa 1.0 I/O Board |
| 4 | 805-4046 | Lisa 1.0/2.0 Card Cage Chassis |
| 5 | 400-1405 | Card Cage Screw, 4-40 x 5/16 |
| 6 | 661-93106 | Lisa 1.0/2.0 Motherboard |

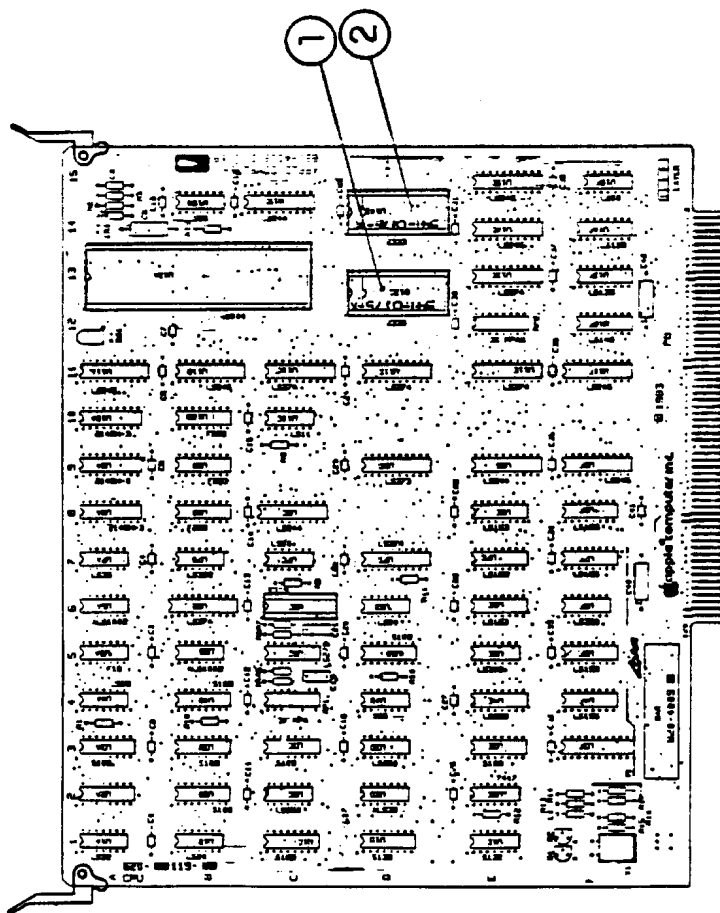


FIGURE 7

**LISA CPU BOARD (Figure 7)**

| Item | Part No. | Description |
|-------------|-----------------|--------------------|
| 1 | 341-0175 | Boot ROM, High 64K |
| 2 | 341-0176 | Boot ROM, Low 64K |

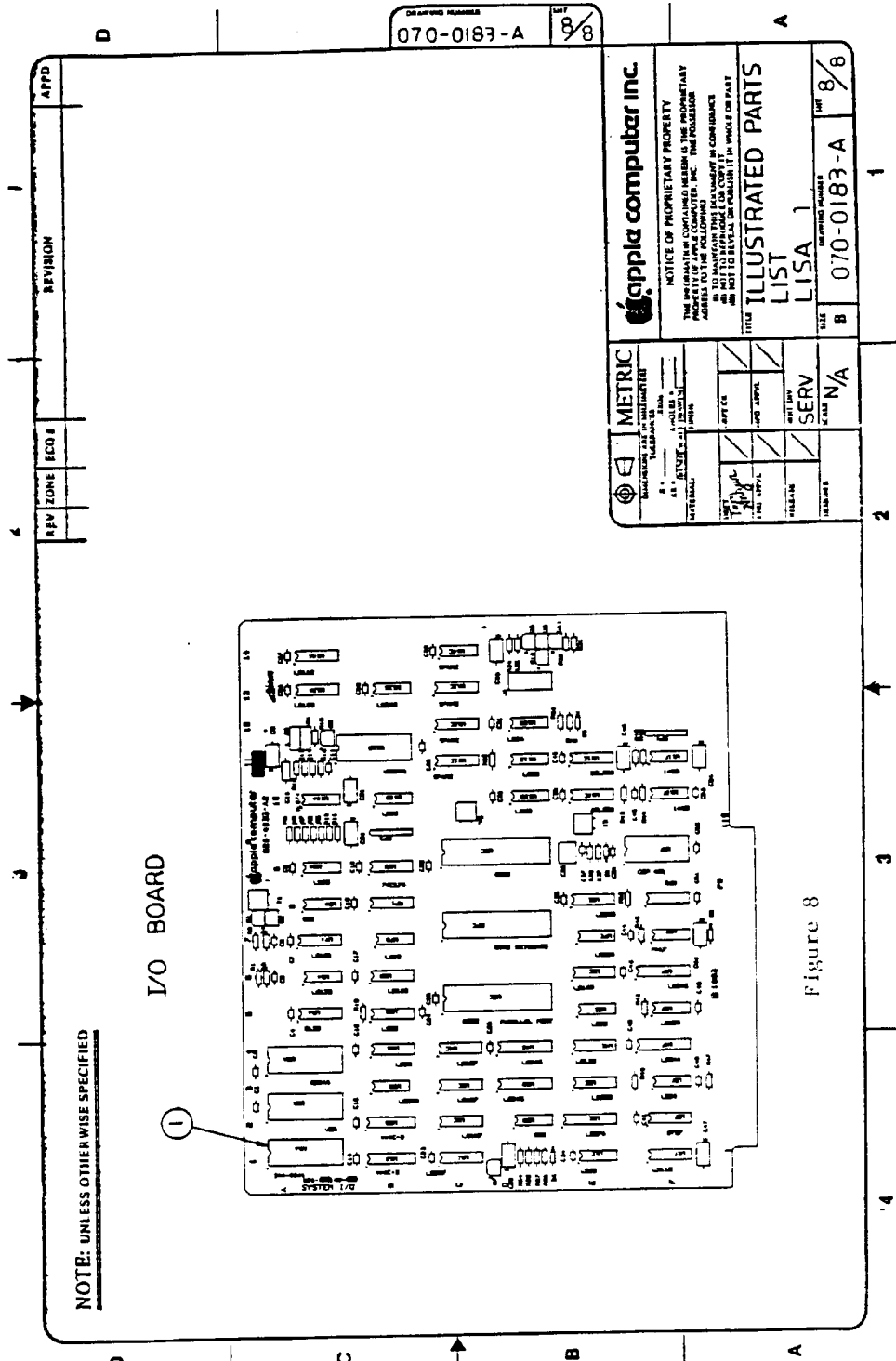


Figure 8

**LISA I/O BOARD (Figure 8)**

| Item | Part No. | Description |
|-------------|-----------------|---------------------|
| 1 | 341-0138 | Disk Controller ROM |



Lisa 2 Technical Procedures

Section 2

Illustrated Parts List

The figures and lists below include all piece parts that can be purchased separately from Apple for the Lisa 2, along with their part numbers. These are the only parts available from Apple. Refer to your Apple Service Programs manual for prices.

Contents:

| | |
|--------------------------|------|
| Front Bezel..... | 2.1 |
| Top Assembly..... | 2.3 |
| Chassis 4..... | 2.5 |
| Video Assembly..... | 2.7 |
| Chassis 2..... | 2.9 |
| Chassis 1..... | 2.11 |
| Disk Drive Assembly..... | 2.13 |
| Card Cage..... | 2.15 |
| CPU Board..... | 2.17 |
| I/O Board..... | 2.19 |

DRAWING NUMBER
070-0200-A

REV 1/11

APPD

REVISION

INITIAL RELEASE

| | | | | | |
|----------|---|-------|------|-----|---|
| REV ZONE | A | ECU # | S493 | REV | 1 |
|----------|---|-------|------|-----|---|

NOTE: UNLESS OTHERWISE SPECIFIED

1 MANUAL REFERENCE : 072-0085

Figure 1

| | | | | | | | | | | |
|--------|------|-----|------|-----|------|-----|------|-----|------|-----|
| METRIC | SERV | N/A | SERV | N/A | SERV | N/A | SERV | N/A | SERV | N/A |
|--------|------|-----|------|-----|------|-----|------|-----|------|-----|

apple computer inc.

NOTICE OF PROPRIETARY PROPERTY

THIS DRAWING IS THE PROPERTY OF APPLE COMPUTER, INC. AND IS TO BE USED ONLY FOR THE PURPOSES SPECIFIED HEREIN. IT IS TO BE KEPT IN CONFIDENTIALITY AND NOT TO BE REPRODUCED OR TRANSMITTED IN ANY FORM OR BY ANY MEANS, ELECTRONIC OR MECHANICAL, INCLUDING PHOTOCOPYING, RECORDING, OR BY ANY INFORMATION STORAGE AND RETRIEVAL SYSTEM, WITHOUT THE WRITTEN PERMISSION OF APPLE COMPUTER, INC.

ILLUSTRATED PARTS LIST

LISA 2 / MAC XL

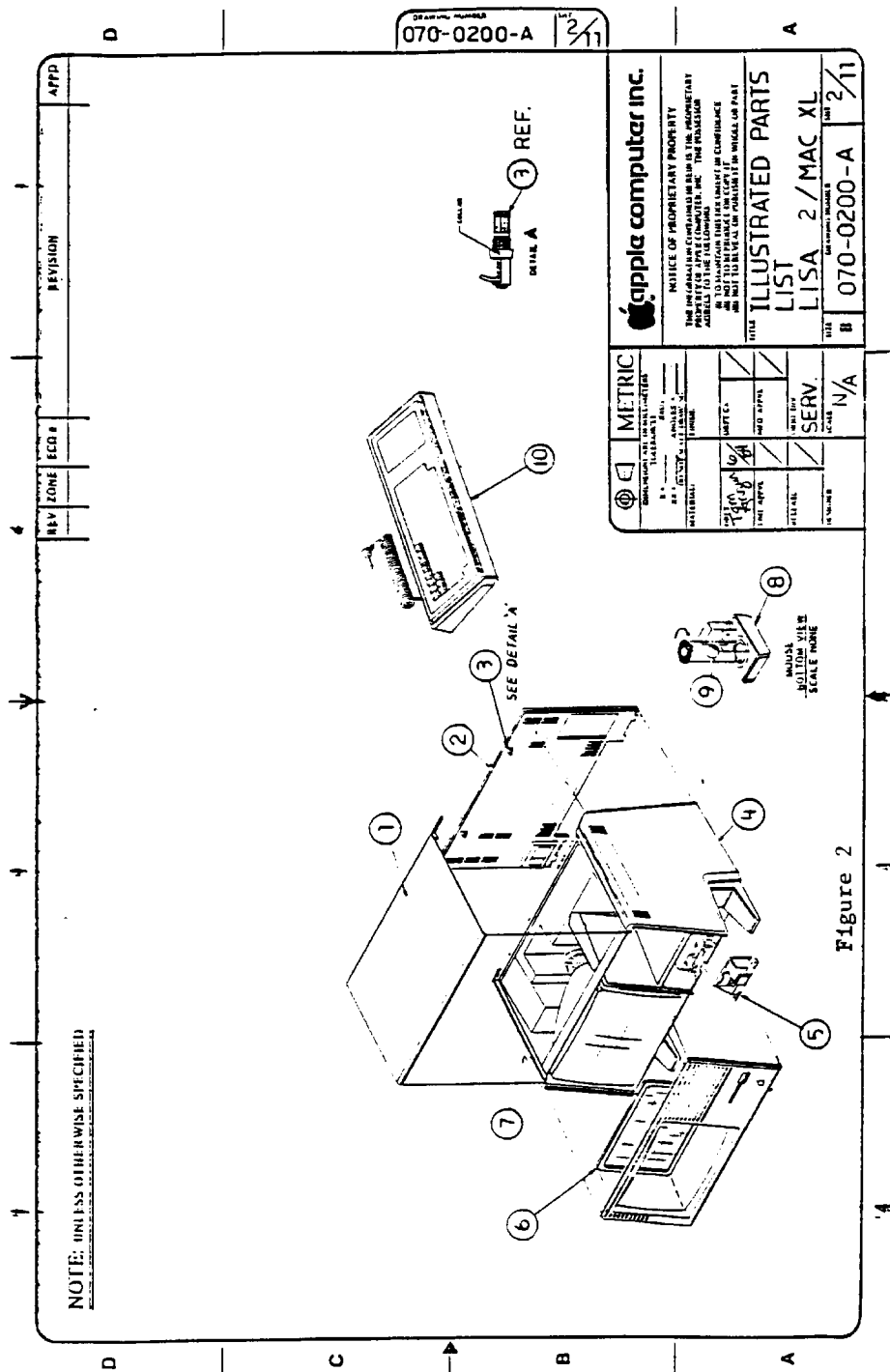
REV B

070-0200-A

REV 1/11

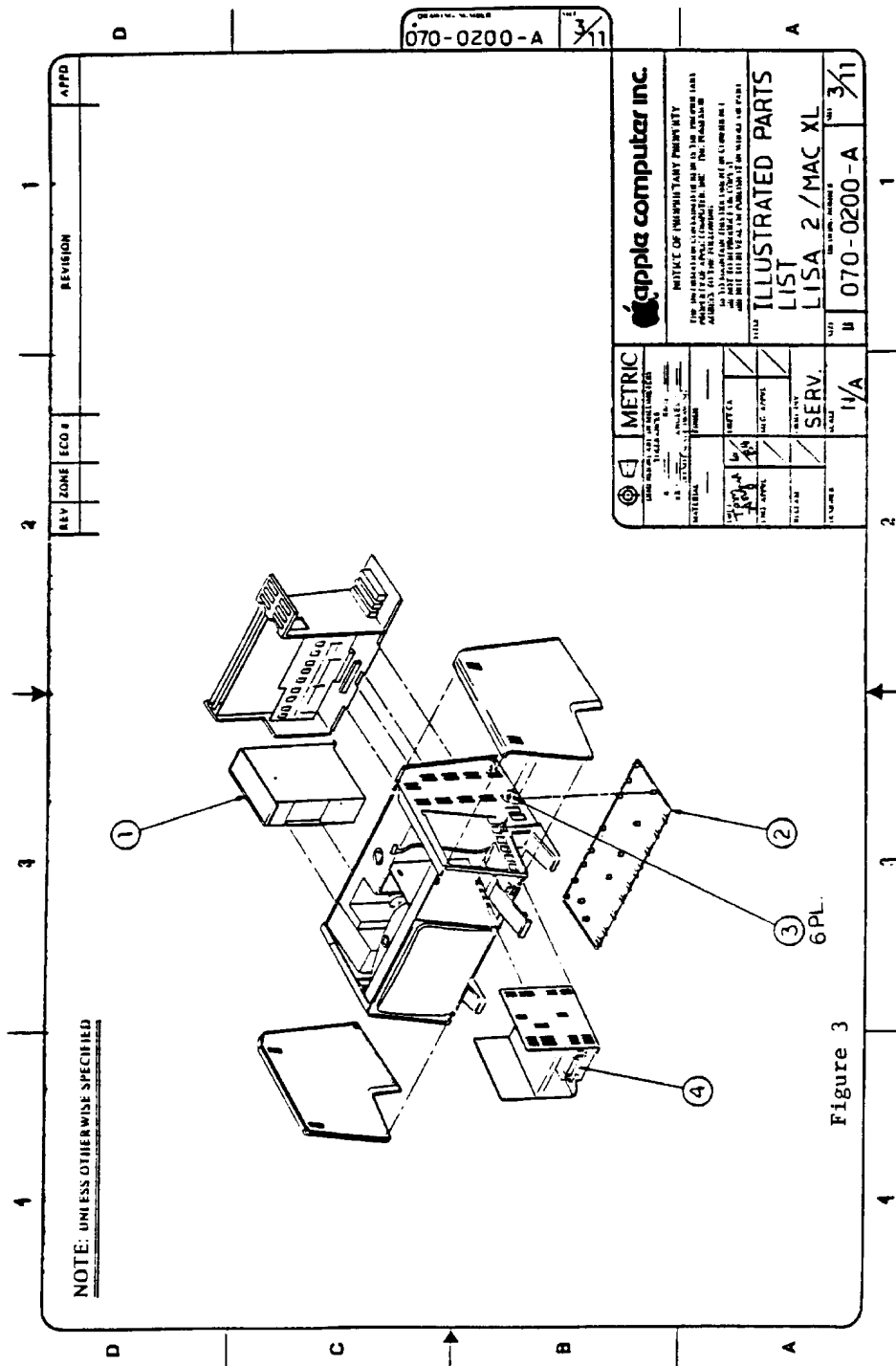
**LISA 2 FRONT BEZEL (Figure 1)**

| Item | Part No. | Description |
|-------------|-----------------|-----------------------------|
| 1 | 620-5136 | Lisa 2.0/Macintosh XL Bezel |
| Subassembly | | |
| 2 | 815-4120 | Lens, Bezel LED |



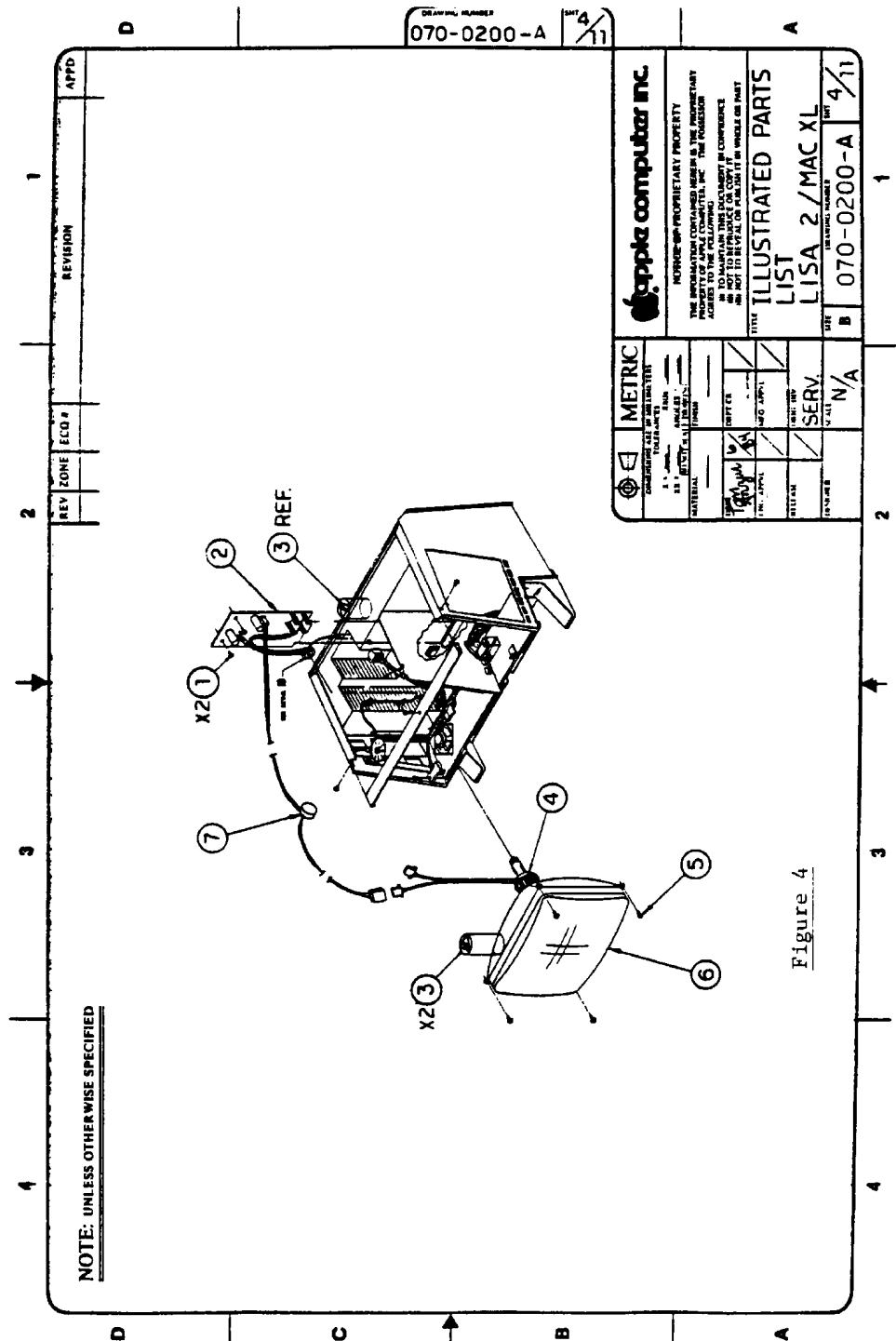
**LISA 2 TOP ASSEMBLY (Figure 2)**

| Item | Part No. | Description |
|-------------|-----------------|--|
| 1 | 815-4075 | Top Cover Plastic |
| 2 | 620-5105 | SubAssembly, Back Lisa |
| 3 | 830-0051 | Fastener, 1/4 Turn |
| 4 | 815-4073 | Right Side Plastic |
| 5 | 076-0104 | Lisa/Macintosh XL Soft Switch Assembly |
| 6 | 620-6112 | Glare Screen Assembly |
| 7 | 815-4074 | Left Side Plastic |
| 8 | 661-93111 | Lisa 1.0/2.0 Mouse |
| 9 | 699-8001 | Rubber Coated Mouse Ball |
| 10 | 661-93109 | Lisa/Macintosh XL Keyboard |



**LISA 2 CHASSIS 4 (Figure 3)**

| Item | Part No. | Description |
|-------------|-----------------|----------------------------------|
| 1 | 661-93108 | Lisa 1.0/2.0 Power Supply |
| 2 | 815-4090 | Bottom Pan |
| 3 | 430-3001 | Screw Tap 6-20x0.375, Bottom Pan |
| 4 | 661-76156 | Micro Disk Mech Assembly |



NOTE: UNLESS OTHERWISE SPECIFIED

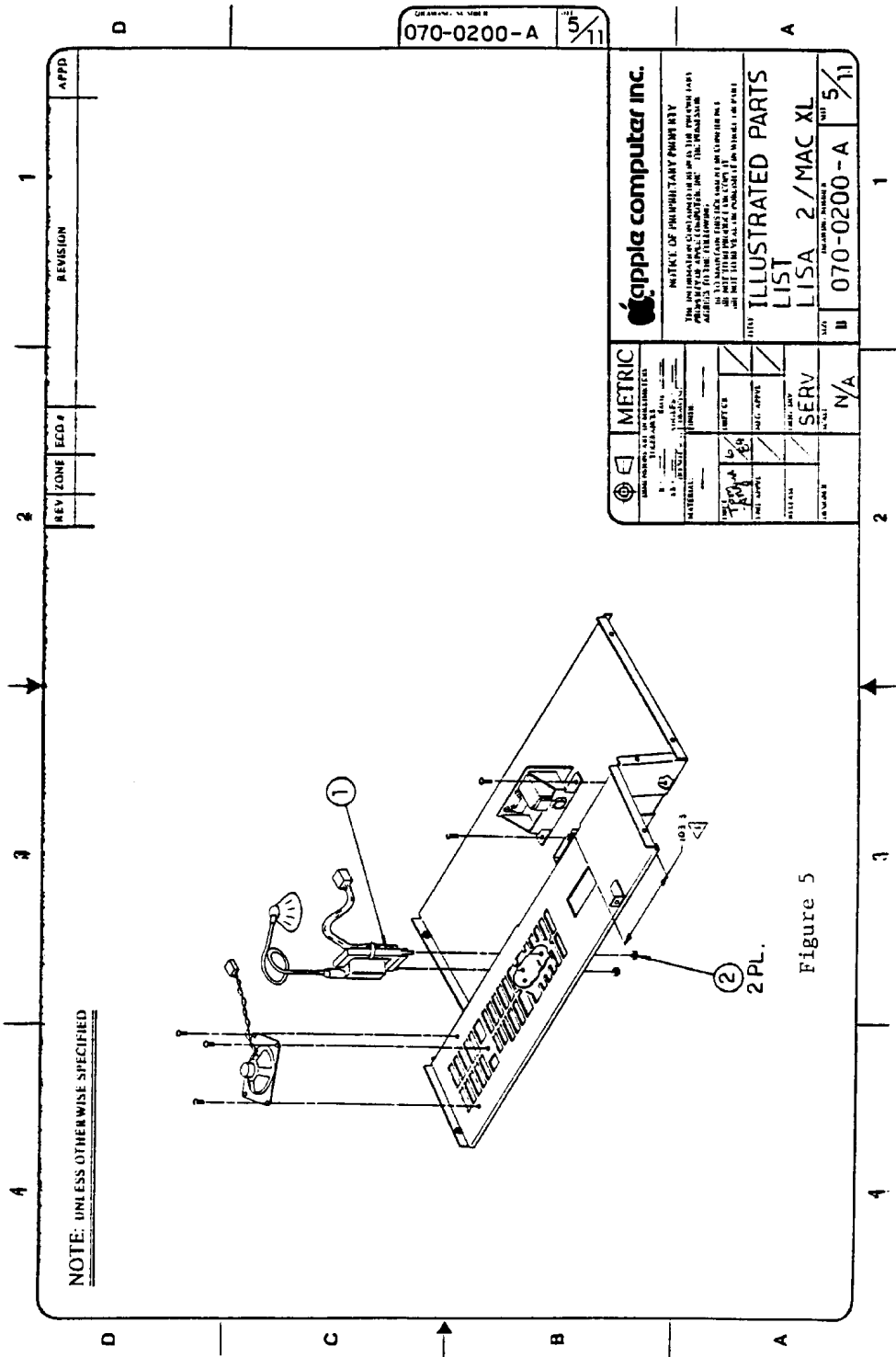
070-0200-A INT 4/11

| | | | |
|---|--------------------------|---|-----|
| METRIC CONFORMS TO INTERNATIONAL STANDARDS 1:1 UNITS: MILLIMETERS DECIMALS: 0.1 FRACTIONS: 1/16 | | apple computer inc. INFORMATION PROPRIETARY PROPERTY THE INFORMATION CONTAINED HEREIN IS THE PROPRIETARY PROPERTY OF APPLE COMPUTER, INC. THE POSSESSOR HEREOF IS TO MAINTAIN THIS DOCUMENT IN CONFIDENCE AND NOT TO REPRODUCE OR DISSEMINATE IN WHOLE OR PART | |
| TITLE ILLUSTRATED PARTS LIST LISA 2 / MAC XL | | DATE 070-0200-A INT 4/11 | |
| METRIC CHECKED DATE | UNITS CHECKED DATE | SERVICING CHECKED DATE | N/A |

Figure 4

**LISA 2 VIDEO ASSEMBLY (Figure 4)**

| Item | Part No. | Description |
|-------------|-----------------|-------------------------------------|
| 1 | 400-1603 | Video Board Screw, 6-32x3/16 |
| 2 | 661-93107 | Lisa/Macintosh XL Video Board |
| 3 | 825-4002 | Label, Danger |
| 4 | 159-0015 | Magnet, Yoke, Trim |
| | 159-0020 | Magnet, Yoke, Yellow |
| | 159-0021 | Magnet, Yoke, Red |
| | 159-0022 | Magnet, Yoke, Green |
| | 159-0023 | Magnet, Yoke, Blue |
| 5 | 450-0020 | Serrated Washer CRT 8-32x0.375 |
| 6 | 076-0105 | Lisa/Macintosh XL CRT Yoke Assembly |
| 7 | 699-0346 | Transformer |



NOTE: UNLESS OTHERWISE SPECIFIED

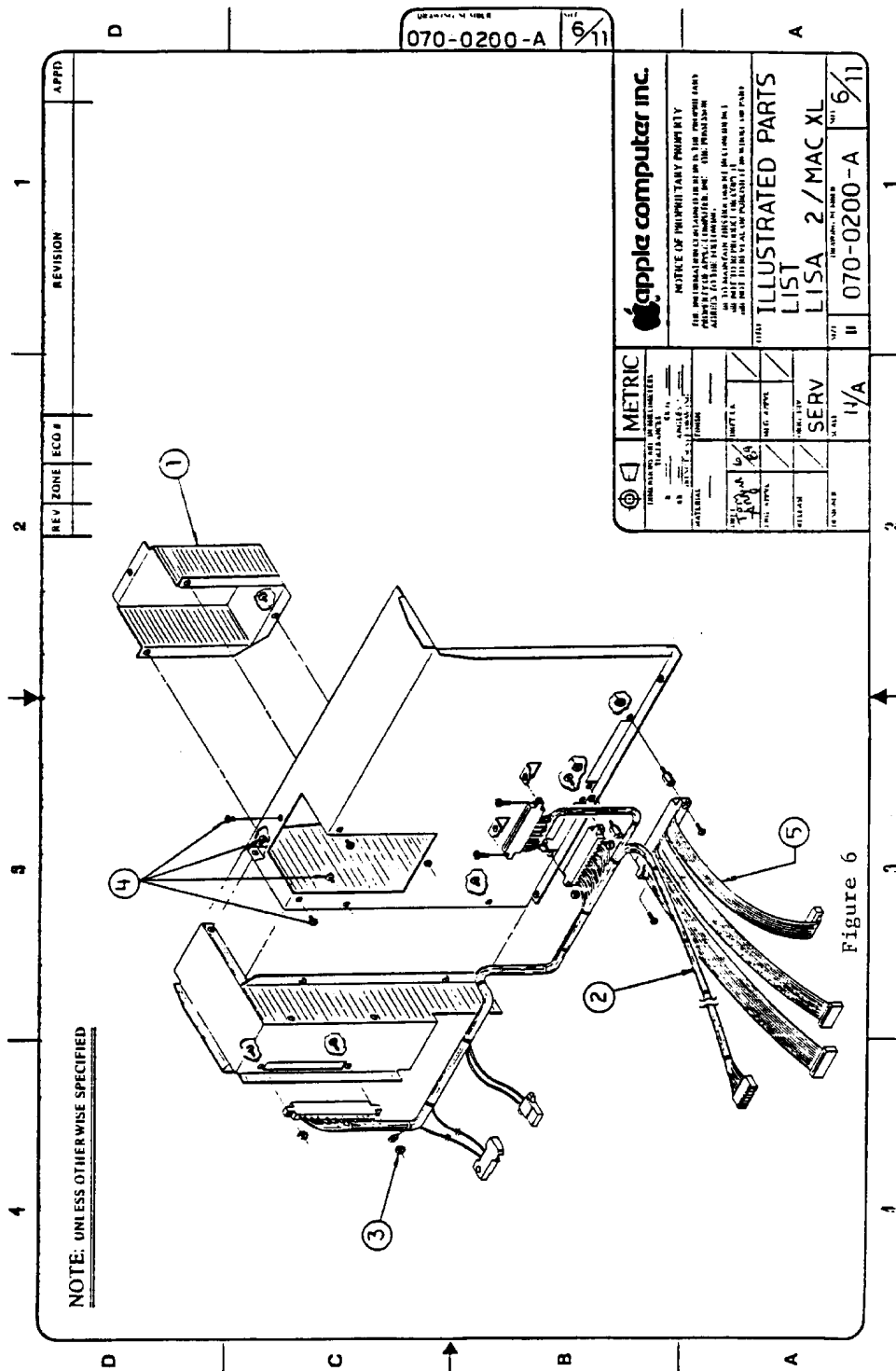
070-0200-A 5/11

| | | |
|---|--|--|
| METRIC ALL DIMENSIONS ARE IN MILLIMETERS UNLESS OTHERWISE SPECIFIED. 1. - DIMENSIONS IN PARENTHESES ARE FOR REFERENCE ONLY. 2. - DIMENSIONS IN BRACKETS ARE FOR REFERENCE ONLY. 3. - DIMENSIONS IN SQUARE BRACKETS ARE FOR REFERENCE ONLY. 4. - DIMENSIONS IN CIRCLES ARE FOR REFERENCE ONLY. 5. - DIMENSIONS IN TRIANGLES ARE FOR REFERENCE ONLY. | | apple computer inc. METRIC OF PROPRIETARY PARTS KEY THE INFORMATION CONTAINED HEREIN IS THE PROPERTY OF APPLE COMPUTER, INC. THE INFORMATION IS NOT TO BE REPRODUCED OR TRANSMITTED IN ANY FORM OR BY ANY MEANS, ELECTRONIC OR MECHANICAL, INCLUDING PHOTOCOPYING, RECORDING, OR BY ANY INFORMATION STORAGE AND RETRIEVAL SYSTEM. |
| ILLUSTRATED PARTS LIST LISA 2 / MAC XL PART NUMBER 070-0200-A REV 5/11 | | ILLUSTRATED PARTS LIST LISA 2 / MAC XL PART NUMBER 070-0200-A REV 5/11 |
| METRIC ALL DIMENSIONS ARE IN MILLIMETERS UNLESS OTHERWISE SPECIFIED. 1. - DIMENSIONS IN PARENTHESES ARE FOR REFERENCE ONLY. 2. - DIMENSIONS IN BRACKETS ARE FOR REFERENCE ONLY. 3. - DIMENSIONS IN SQUARE BRACKETS ARE FOR REFERENCE ONLY. 4. - DIMENSIONS IN CIRCLES ARE FOR REFERENCE ONLY. 5. - DIMENSIONS IN TRIANGLES ARE FOR REFERENCE ONLY. | apple computer inc. METRIC OF PROPRIETARY PARTS KEY THE INFORMATION CONTAINED HEREIN IS THE PROPERTY OF APPLE COMPUTER, INC. THE INFORMATION IS NOT TO BE REPRODUCED OR TRANSMITTED IN ANY FORM OR BY ANY MEANS, ELECTRONIC OR MECHANICAL, INCLUDING PHOTOCOPYING, RECORDING, OR BY ANY INFORMATION STORAGE AND RETRIEVAL SYSTEM. | ILLUSTRATED PARTS LIST LISA 2 / MAC XL PART NUMBER 070-0200-A REV 5/11 |
| METRIC ALL DIMENSIONS ARE IN MILLIMETERS UNLESS OTHERWISE SPECIFIED. 1. - DIMENSIONS IN PARENTHESES ARE FOR REFERENCE ONLY. 2. - DIMENSIONS IN BRACKETS ARE FOR REFERENCE ONLY. 3. - DIMENSIONS IN SQUARE BRACKETS ARE FOR REFERENCE ONLY. 4. - DIMENSIONS IN CIRCLES ARE FOR REFERENCE ONLY. 5. - DIMENSIONS IN TRIANGLES ARE FOR REFERENCE ONLY. | apple computer inc. METRIC OF PROPRIETARY PARTS KEY THE INFORMATION CONTAINED HEREIN IS THE PROPERTY OF APPLE COMPUTER, INC. THE INFORMATION IS NOT TO BE REPRODUCED OR TRANSMITTED IN ANY FORM OR BY ANY MEANS, ELECTRONIC OR MECHANICAL, INCLUDING PHOTOCOPYING, RECORDING, OR BY ANY INFORMATION STORAGE AND RETRIEVAL SYSTEM. | ILLUSTRATED PARTS LIST LISA 2 / MAC XL PART NUMBER 070-0200-A REV 5/11 |

Figure 5

**LISA 2 CHASSIS 2 (Figure 5)**

| Item | Part No. | Description |
|-------------|-----------------|--|
| 1 | 076-0106 | Lisa/Macintosh XL Flyback Transformer |
| 2 | 835-0181 | Nut/Washer Assembly M3 0.5, Lisa/Macintosh XL Flyback |



apple computer inc.

NOTICE OF PROPRIETARY PROPERTY
THE INFORMATION CONTAINED HEREIN IS THE PROPERTY OF APPLE COMPUTER, INC. AND IS TO BE USED ONLY FOR THE PARTS LISTED HEREIN. NO PART OF THIS DOCUMENT IS TO BE REPRODUCED OR TRANSMITTED IN ANY FORM OR BY ANY MEANS, ELECTRONIC OR MECHANICAL, INCLUDING PHOTOCOPYING, RECORDING, OR BY ANY INFORMATION STORAGE AND RETRIEVAL SYSTEM.

ILLUSTRATED PARTS LIST
LISA 2 / MAC XL

070-0200-A 9/11

METRIC EQUIVALENTS

| | |
|--------|-------------|
| INCHES | MILLIMETERS |
| 1/16 | 1.6 |
| 1/8 | 3.2 |
| 3/16 | 4.8 |
| 1/4 | 6.4 |
| 5/16 | 8.0 |
| 3/8 | 9.6 |
| 7/16 | 11.2 |
| 1/2 | 12.8 |
| 9/16 | 14.4 |
| 5/8 | 16.0 |
| 11/16 | 17.6 |
| 3/4 | 19.2 |
| 13/16 | 20.8 |
| 7/8 | 22.4 |
| 15/16 | 24.0 |
| 1 | 25.6 |

SERV 14/A

Figure 6

**LISA 2 CHASSIS 1 (Figure 6)**

| Item | Part No. | Description |
|-------------|-----------------|--|
| 1 | 805-4008 | CRT Cup |
| 2 | 591-0020 | Power Cable, 2.0/Macintosh XL |
| 3 | 835-0159 | Nut, Washer Assembly Card Cage Chamber |
| 4 | 400-1603 | Video Board Screw, 6-32x3/16 |
| 5 | 591-0002 | Drive Cable, 1.0/2.0 |

LISA 2 DISK DRIVE ASSEMBLY (Figure 7)

| Item | Part No. | Description |
|-------------|-----------------|--|
| 1 | 860-0210 | Micro Disk Adapter Standoff |
| 2 | 661-93194 | Drive Adapter Card |
| 3 | 860-0251 | Washer, Internal Tooth #6 |
| 4 | 835-0116 | Nut, Hex Size 6, Microdisk Adapter PCB |
| 5 | 590-0086 | Micro Disk Adapter Cable |
| 6 | 805-4052 | Micro Disk Drive Carrier |
| 7 | 860-0009 | Micro Disk Drive Standoff |
| 8 | ● 410-1306 | Micro Disk Drive Screw M3x0.5x6mm |
| 9 | 661-76156 | Micro Disk Mechanical Assembly |
| 10 | 400-3604 | Disk Drive Screw, 6-32x1/4 |

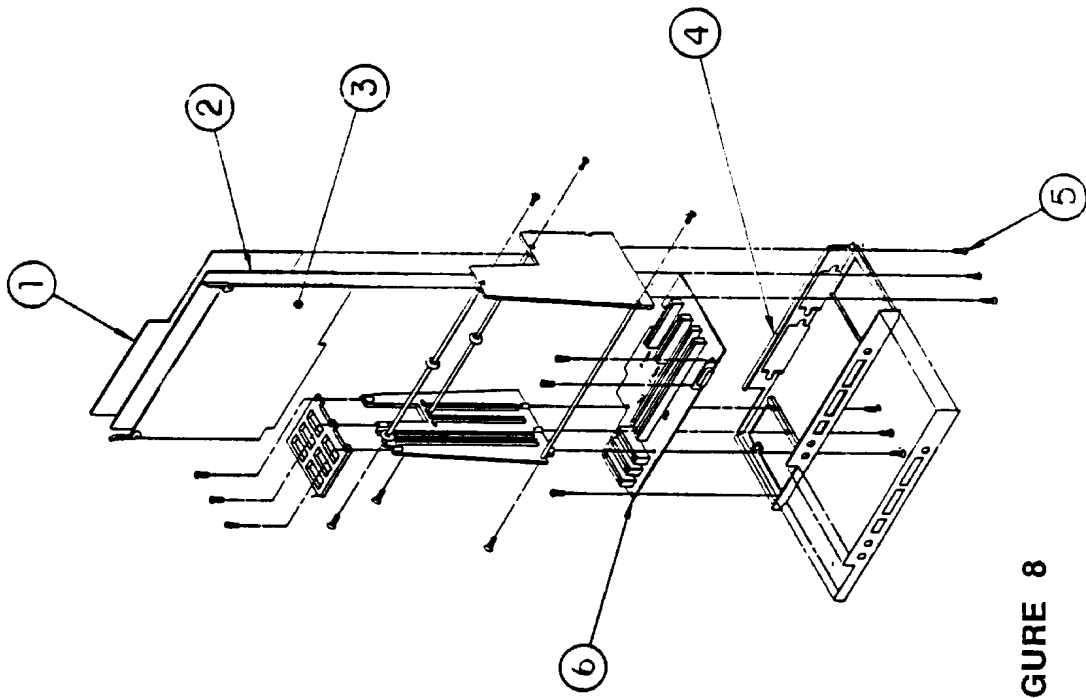


FIGURE 8

LISA 2 CARD CAGE (Figure 8)

| Item | Part No. | Description |
|-------------|-----------------|--------------------------------|
| 1 | 661-93105 | Lisa/Macintosh XL Memory Board |
| 2 | 661-93103 | Lisa/Macintosh XL CPU Card |
| 3 | 661-93198 | Lisa 2.0 I/O Board |
| 4 | 805-4046 | Lisa 1.0/2.0 Card Cage Chassis |
| 5 | 400-1405 | Card Cage Screw, 4-40 x 5/16 |
| 6 | 661-93106 | Lisa 1.0/2.0 Motherboard |

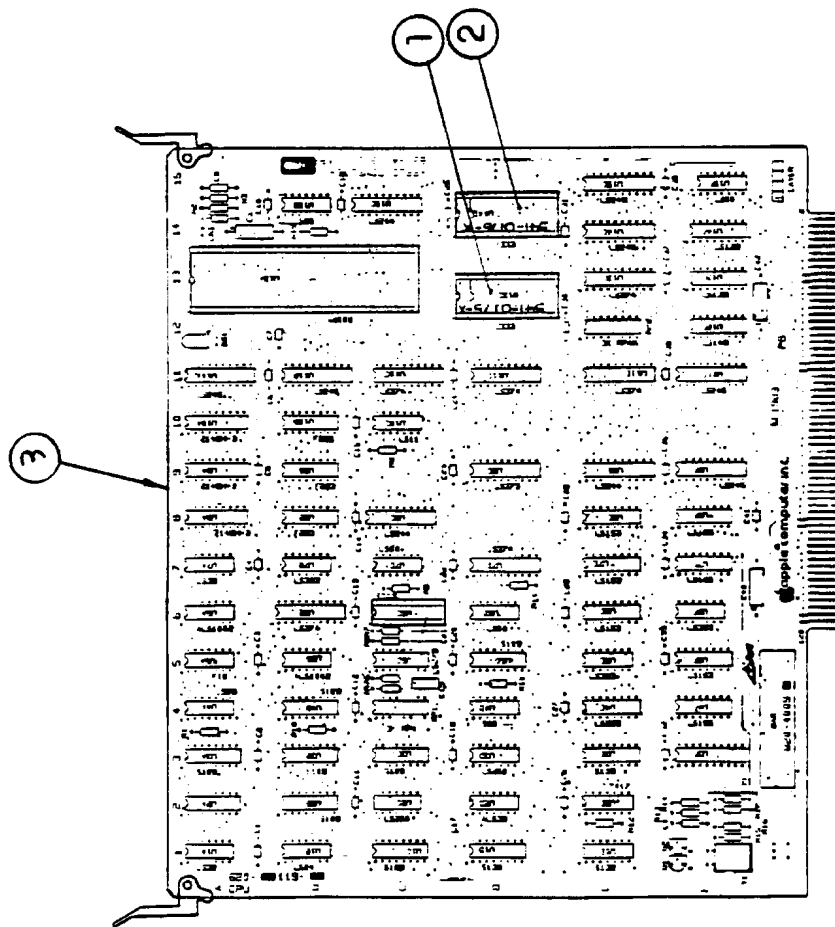


FIGURE 9

**LISA/MACINTOSH XL CPU BOARD (Figure 9)**

| Item | Part No. | Description |
|-------------|-----------------|----------------------------|
| 1 | 341-0175 | Boot ROM, High 64K |
| 2 | 341-0176 | Boot ROM, Low 64K |
| 3 | 661-93103 | Lisa/Macintosh XL CPU Card |

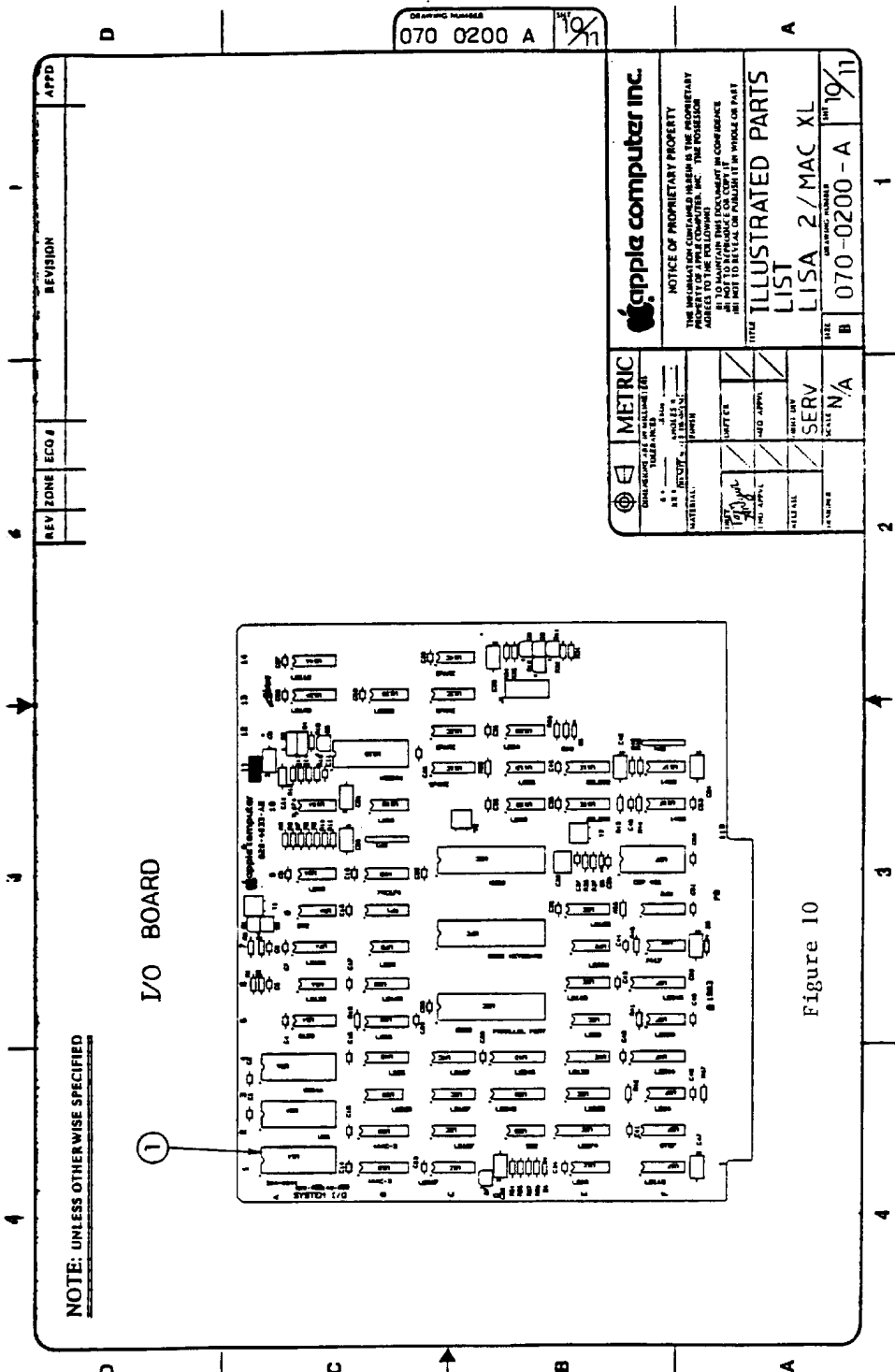


Figure 10

**LISA 2 I/O BOARD (Figure 10)**

| Item | Part No. | Description |
|-------------|-----------------|-----------------------------|
| 1 | 341-0290 | Disk Controller ROM, Lisa 2 |

**LISA 2 - MODIFIED CPU CARD (Figure 11)**

| Item | Part No. | Description |
|-------------|-----------------|--------------------------------|
| 1 | 661-0298 | Macintosh XL Modified CPU Card |
| 2 | 341-0347 | Boot ROM, High |
| 3 | 341-0346 | Boot ROM, Low |
| 4 | 341-0348 | Video ROM |

**Macintosh XL Technical Procedures****Section 3****Illustrated Parts List**

The figures and lists below include all piece parts that can be purchased separately from Apple for the Macintosh XL, along with their part numbers. These are the only parts available from Apple. Refer to your Apple Service Programs manual for prices.

Contents:

| | |
|--------------------------|------|
| Front Bezel..... | 3.1 |
| Top Assembly..... | 3.3 |
| Chassis 4..... | 3.5 |
| Video Assembly..... | 3.7 |
| Chassis 2..... | 3.9 |
| Chassis 1..... | 3.11 |
| Disk Drive Assembly..... | 3.13 |
| Card Cage..... | 3.15 |
| CPU Board..... | 3.17 |
| I/O Board..... | 3.19 |

| | | | | | |
|-----|-------|-----------------|--|------|--|
| REV | ECO # | REVISION | | APFD | |
| A | 5493 | INITIAL RELEASE | | | |

DRAWING NUMBER: 070-0201-A SHEET 1/11

NOTE: UNLESS OTHERWISE SPECIFIED

1). MANUAL REFERENCE : 072-0085

Figure 1

| | | | | | | | | | |
|----------|--------|------------|------------|----------------|---------|------|-----|-----|-----|
| METRIC | | | | | | | | | |
| MATERIAL | FINISH | DIMENSIONS | TOLERANCES | SURFACE FINISH | TYPICAL | SERV | N/A | N/A | N/A |
| | | | | | | | | | |

apple computer inc.

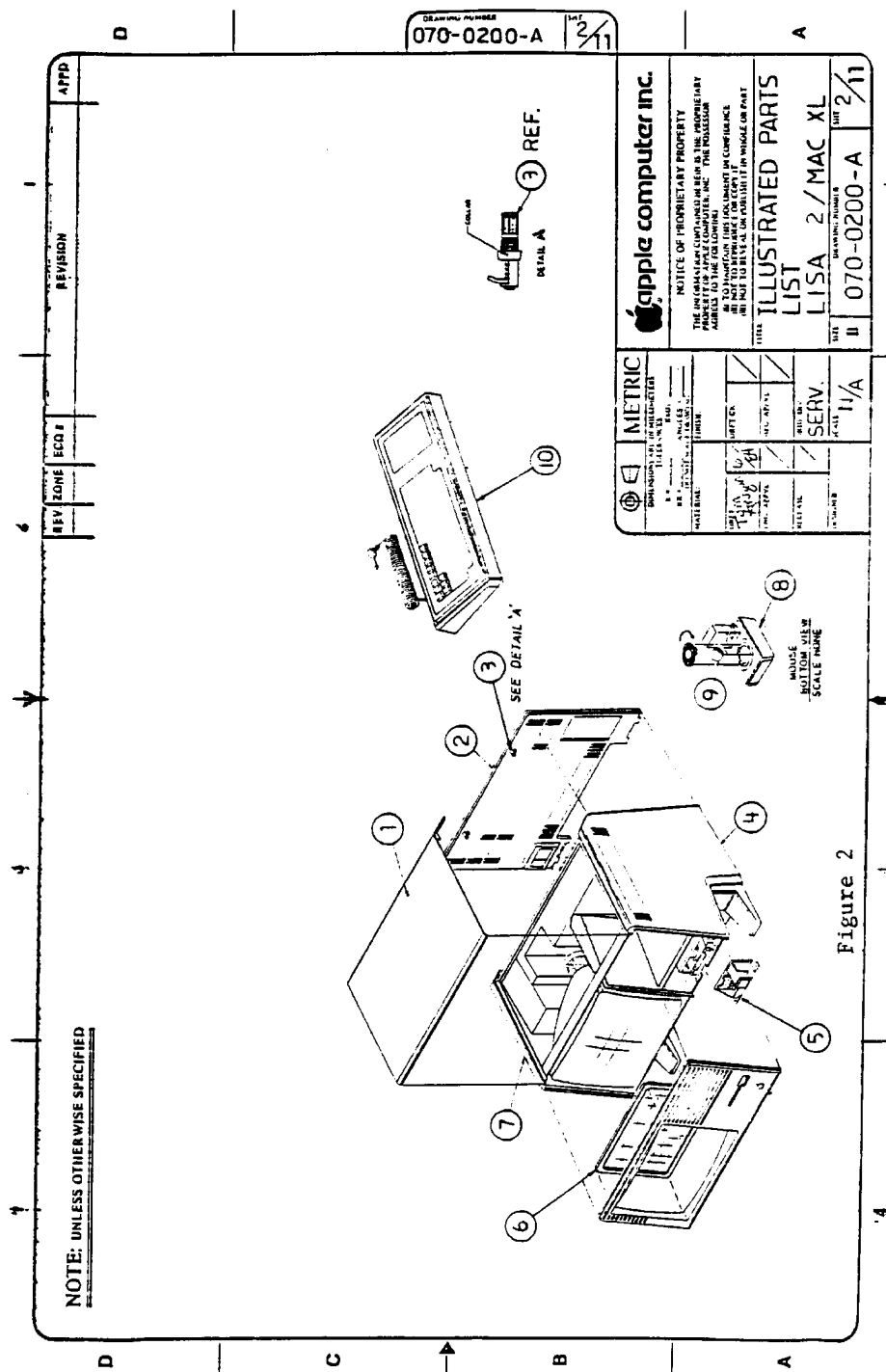
NOTICE OF PROPRIETARY PROPERTY
THE INFORMATION CONTAINED HEREIN IS THE PROPRIETARY PROPERTY OF APPLE COMPUTER INC. THE PROVISION AND USE OF THIS INFORMATION IS RESTRICTED TO THE PARTS LISTED HEREIN AND IS NOT TO BE REPRODUCED OR TRANSMITTED IN ANY FORM OR BY ANY MEANS, ELECTRONIC OR MECHANICAL, INCLUDING PHOTOCOPYING, RECORDING, OR BY ANY INFORMATION STORAGE AND RETRIEVAL SYSTEM.

ILLUSTRATED PARTS LIST
LISA 2/10/MAC.XL

SHEET 1/11

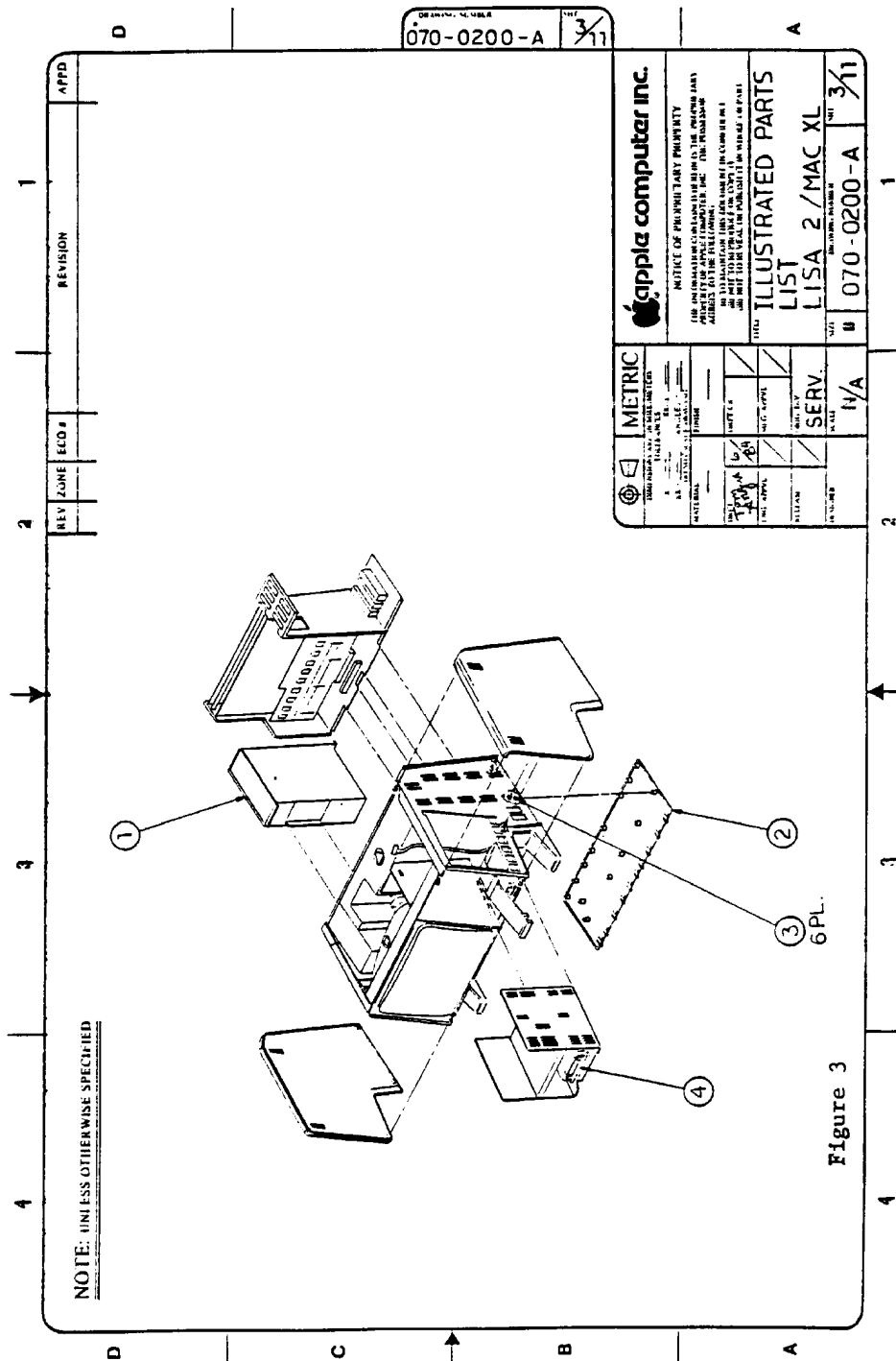
**MACINTOSH XL FRONT BEZEL (Figure 1)**

| Item | Part No. | Description |
|-------------|-----------------|--|
| 1 | 620-5136 | Lisa 2.0/Macintosh XL Bezel Subassembly |
| 2 | 815-4120 | Lens, Bezel LED |



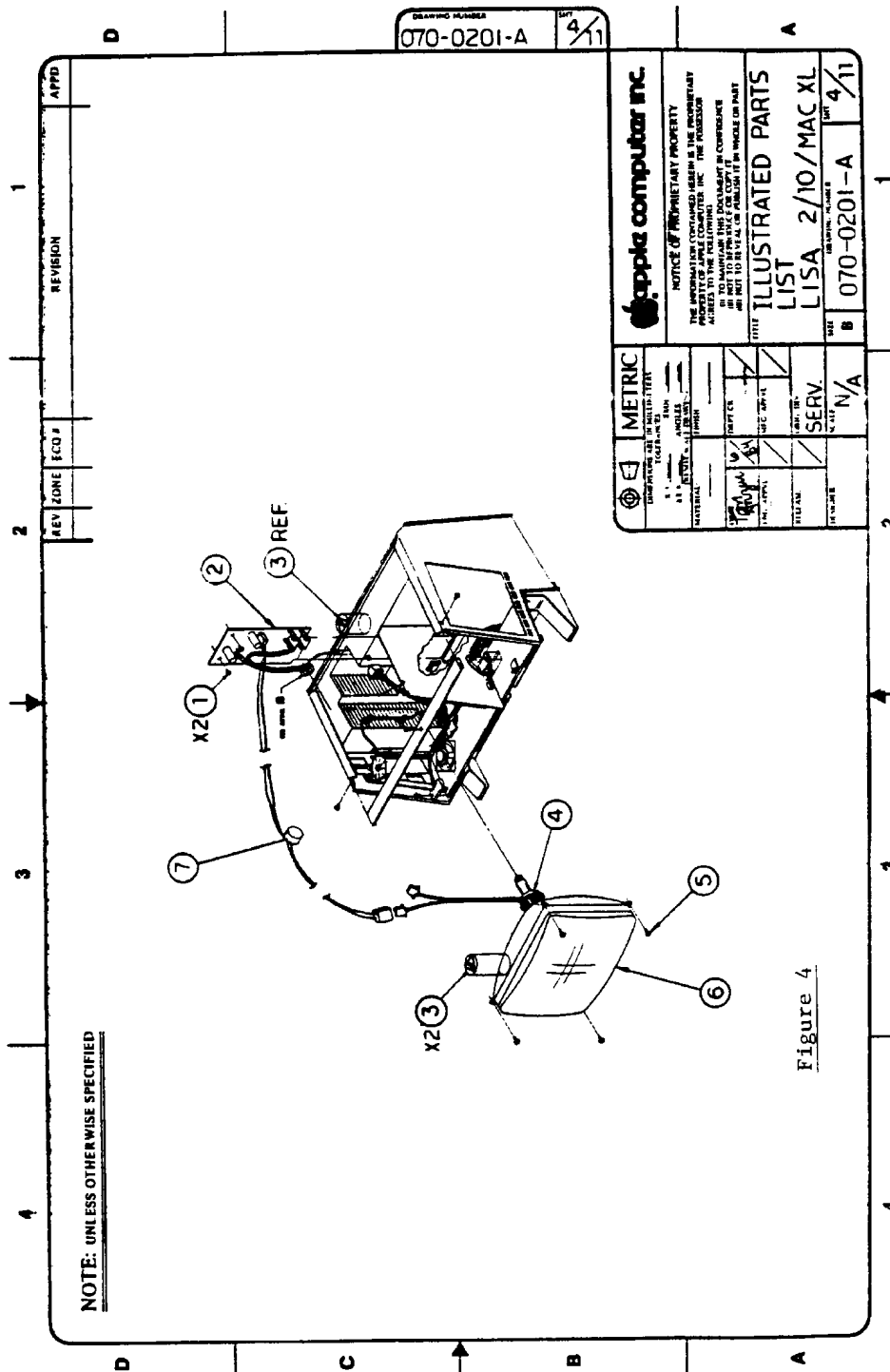
**MACINTOSH XL TOP ASSEMBLY (Figure 2)**

| Item | Part No. | Description |
|-------------|-----------------|---------------------------------------|
| 1 | 815-4075 | Top Cover Plastic |
| 2 | 620-5105 | SubAssembly, Back |
| 3 | 830-0051 | Fastener, 1/4 Turn |
| 4 | 815-4073 | Right Side Plastic |
| 5 | 076-0104 | Lisa/Macintosh XL Softswitch Assembly |
| 6 | 620-6112 | Glare Screen Assembly |
| 7 | 815-4074 | Left Side Plastic |
| 8 | 661-96155 | Macintosh Mouse |
| 9 | 699-8001 | Rubber Coated Mouse Ball |
| 10 | 661-93109 | Lisa/Macintosh XL Keyboard |



**MACINTOSH XL CHASSIS 4 (Figure 3)**

| Item | Part No. | Description |
|-------------|-----------------|----------------------------------|
| 1 | 661-73172 | Macintosh XL Power Supply |
| 2 | 815-4090 | Bottom Pan |
| 3 | 430-3001 | Screw Tap 6-20x0.375, Bottom Pan |
| 4 | 661-76156 | Micro Disk Mech Assembly |
| 5 | 661-93176 | Macintosh XL Hard Disk Assembly |



070-0201-A 4/11

apple computer inc.

NOTICE OF PROPRIETARY PROPERTY
 THE INFORMATION CONTAINED HEREIN IS THE PROPRIETARY PROPERTY OF APPLE COMPUTER, INC. THE FURNISHING OF THIS INFORMATION IS FOR YOUR INFORMATION ONLY AND IS NOT TO BE REPRODUCED OR TRANSMITTED IN ANY FORM OR BY ANY MEANS, ELECTRONIC OR MECHANICAL, INCLUDING PHOTOCOPYING, RECORDING, OR BY ANY INFORMATION STORAGE AND RETRIEVAL SYSTEM.

ILLUSTRATED PARTS LIST
 LISA 2/10/MAC XL
 070-0201-A 4/11

**MACINTOSH XL VIDEO ASSEMBLY (Figure 4)**

| Item | Part No. | Description |
|-------------|-----------------|-------------------------------------|
| 1 | 400-1603 | Video Board Screw, 6-32x3/16 |
| 2 | 661-93107 | Lisa/Macintosh XL Video Board |
| 3 | 825-4002 | Label, Danger |
| 4 | 159-0015 | Magnet, Yoke, Trim |
| | 159-0020 | Magnet, Yoke, Yellow |
| | 159-0021 | Magnet, Yoke, Red |
| | 159-0022 | Magnet, Yoke, Green |
| | 159-0023 | Magnet, Yoke, Blue |
| 5 | 450-0020 | Serrated Washer, CRT 8-32x0.375 |
| 6 | 076-0105 | Lisa/Macintosh XL CRT Yoke Assembly |
| 7 | 699-0346 | Transformer |

**MACINTOSH XL VIDEO ASSEMBLY (Figure 5)**

| Item | Part No. | Description |
|-------------|-----------------|--|
| 1 | 076-0106 | Lisa/Macintosh XL Flyback Transformer |
| 2 | 835-0181 | Nut/Washer Assembly M3 0.5, Lisa/Macintosh XL Flyback |

REV. ZONE ECO. #

REVISION

APFD

DRAWING NUMBER: 070-0201-A SHEET 6/11

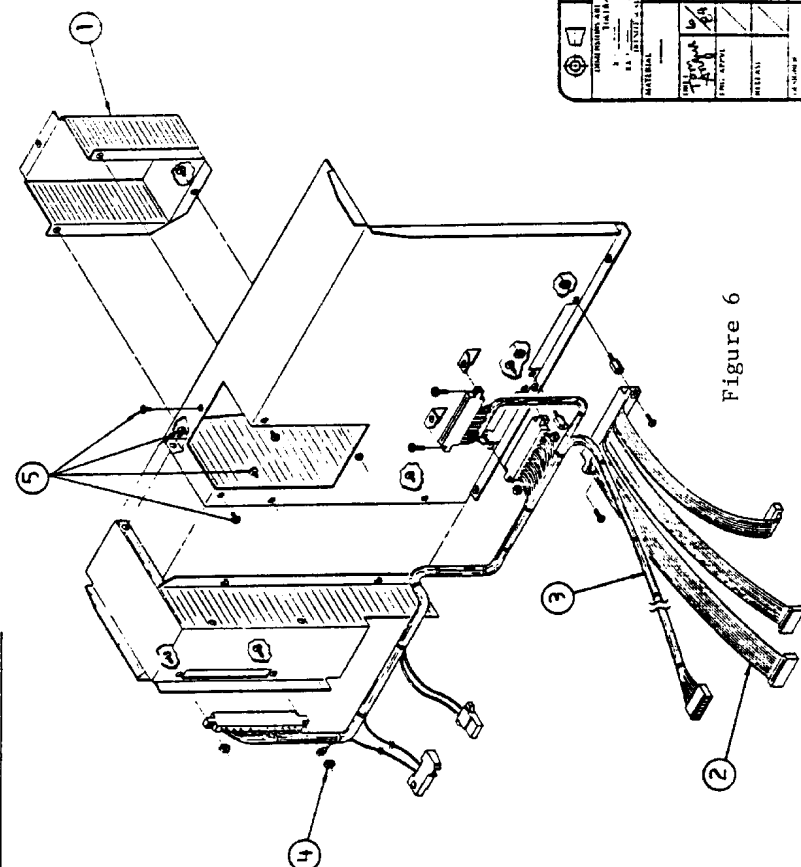


Figure 6

NOTE: UNLESS OTHERWISE SPECIFIED

apple computer inc.

NOTICE OF PROPRIETARY PROPERTY
THE INFORMATION CONTAINED HEREIN IS THE PROPRIETARY PROPERTY OF APPLE COMPUTER, INC. THE PROVISION OF THIS INFORMATION IS LIMITED TO THE PARTS LISTED HEREIN AND IS NOT TO BE REPRODUCED OR TRANSMITTED IN ANY FORM OR BY ANY MEANS, ELECTRONIC OR MECHANICAL, INCLUDING PHOTOCOPYING, RECORDING, OR BY ANY INFORMATION STORAGE AND RETRIEVAL SYSTEM.


ILLUSTRATED PARTS LIST
LISA 2/10/MAC XL

DATE: 070-0201-A SHEET 6/11

| | | | |
|--------|-------|------|-----|
| METRIC | UNITS | SERV | N/A |
| / | / | / | / |

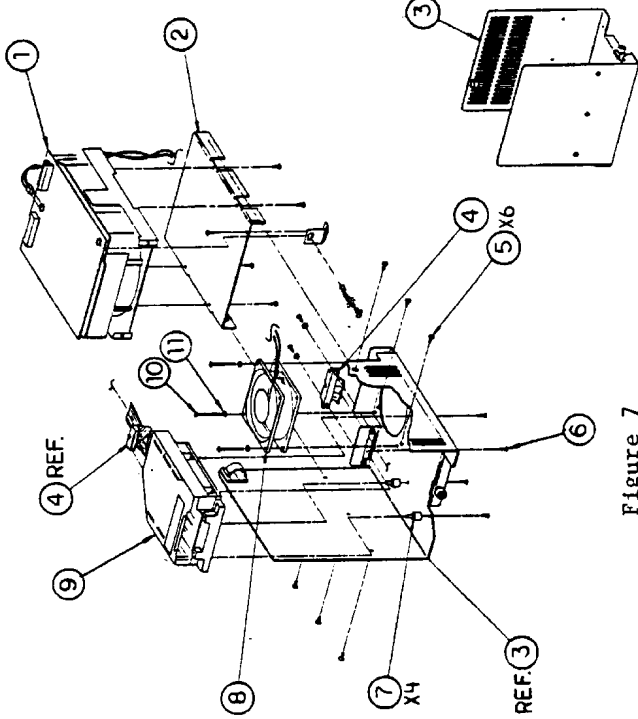
**MACINTOSH XL CHASSIS 1 (Figure 6)**

| Item | Part No. | Description |
|-------------|-----------------|--|
| 1 | 805-4008 | CRT Cup |
| 2 | 591-0014 | Drive Cable, Macintosh XL |
| 3 | 591-0020 | Power Cable, 2.0/Macintosh XL |
| 4 | 835-0150 | Nut, Washer Assembly Card Cage Chamber |
| 5 | 400-1603 | Video Board Screw, 6-32x3/16 |

| | | | | | |
|----------|-------|----------|------|--|--|
| REV ZONE | ECO # | REVISION | APPD | DRAWING NUMBER 070-0201-A | DATE 7/11 |
| | | | |  NOTICE OF PROPRIETARY PROPERTY THE INFORMATION CONTAINED HEREIN IS THE PROPRIETARY PROPERTY OF APPLE COMPUTER, INC. THE POSSESSION AND USE OF THIS INFORMATION IS RESTRICTED TO THE INDIVIDUALS AND COMPANIES SPECIFICALLY NAMED HEREIN. IT IS NOT TO BE REPRODUCED OR TRANSMITTED IN ANY FORM OR BY ANY MEANS, ELECTRONIC OR MECHANICAL, INCLUDING PHOTOCOPYING, RECORDING, OR BY ANY INFORMATION STORAGE AND RETRIEVAL SYSTEM, WITHOUT THE EXPRESS WRITTEN PERMISSION OF APPLE COMPUTER, INC. | |
| | | | | TITLE ILLUSTRATED PARTS LIST LISA 2/10 / MAC XL | DATE 7/11 DRAWING NUMBER 070-0201-A |
| | | | | METRIC DIMENSIONS IN MILLIMETERS () DIMENSIONS IN INCHES () METRIC () / INCHES () INCHES () / METRIC () | SERVO N/A SCALE N/A |

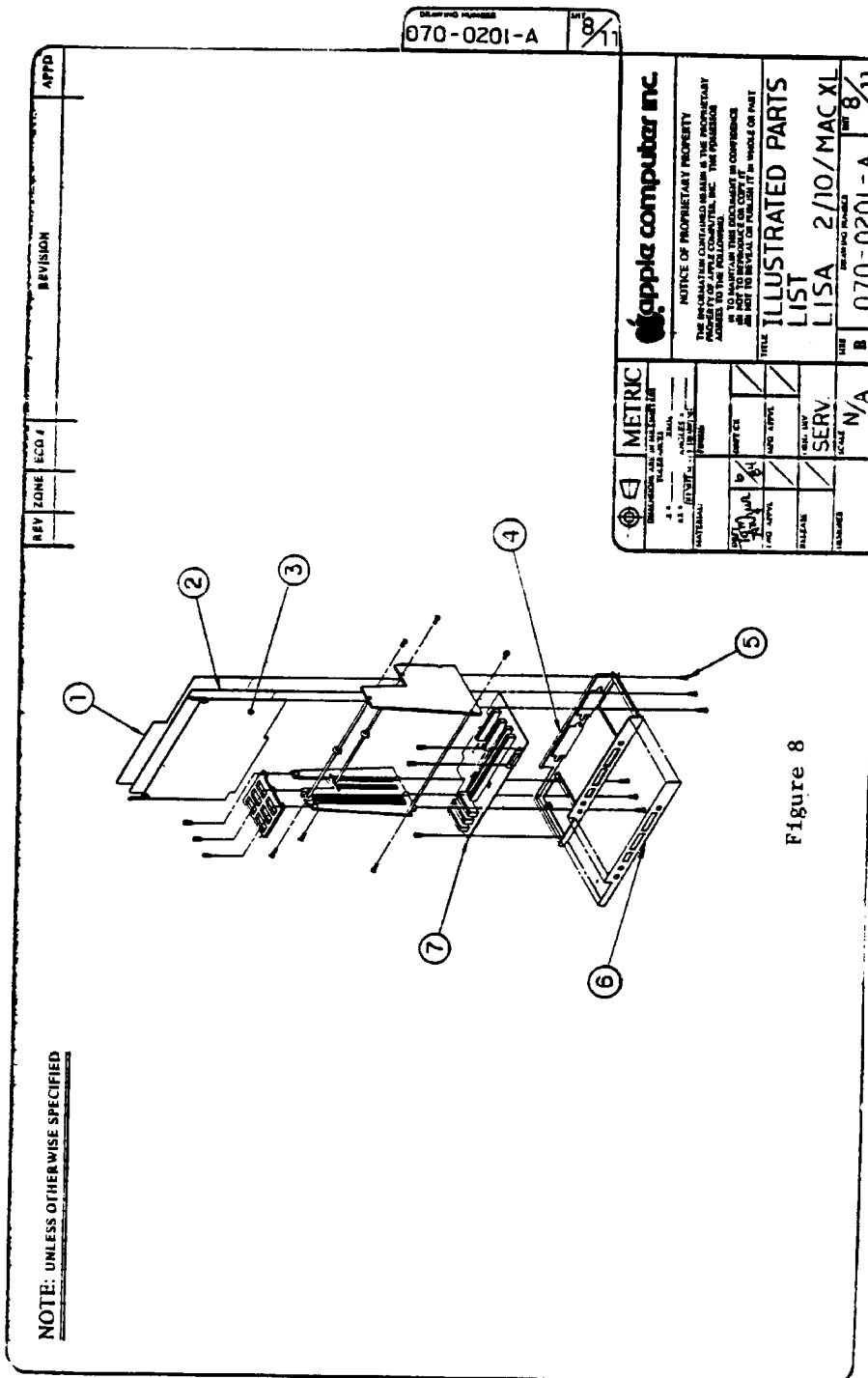
NOTE: UNLESS OTHERWISE SPECIFIED

Figure 7



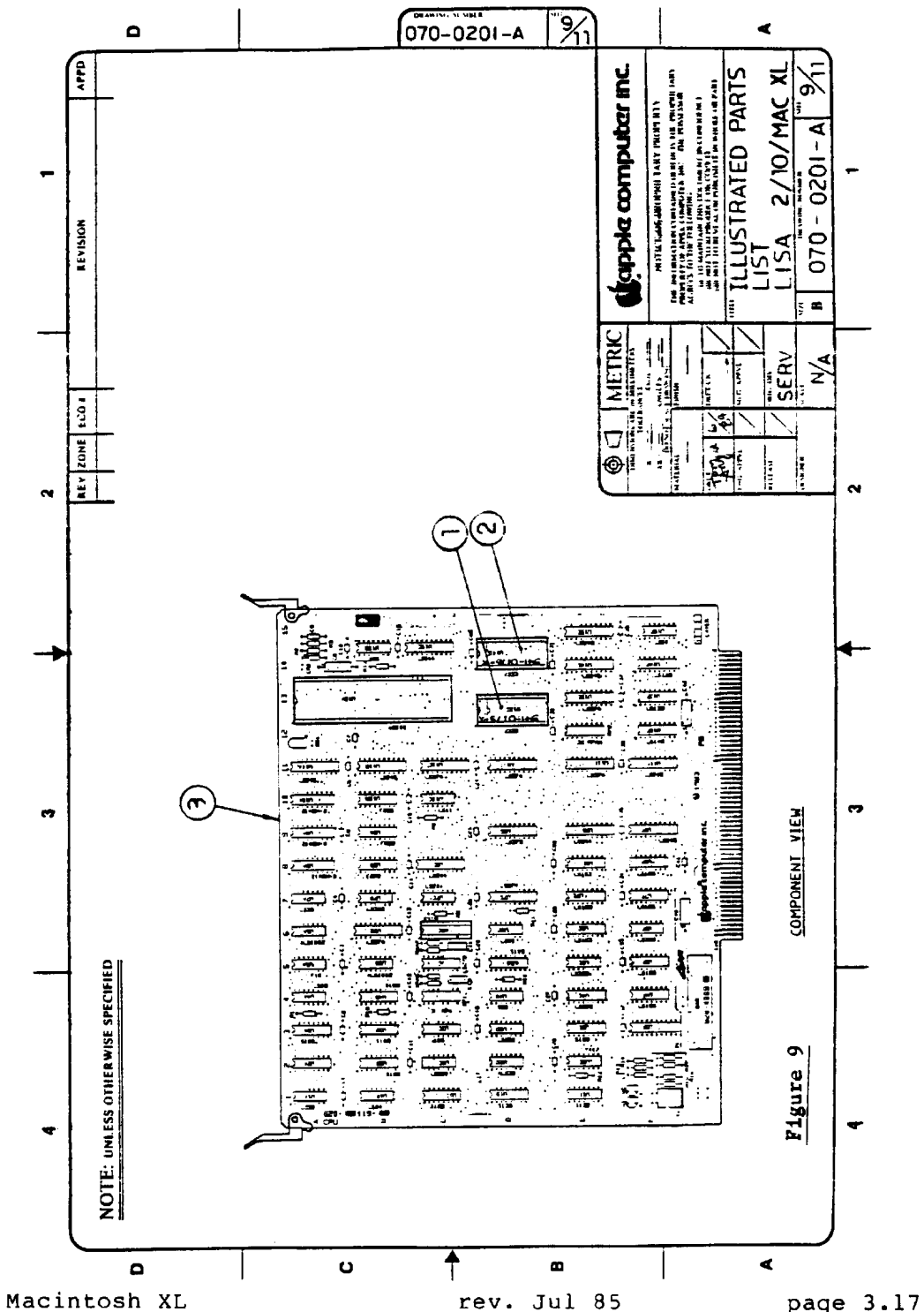
**MACINTOSH XL DISK DRIVE ASSEMBLY (Figure 7)**

| Item | Part No. | Description |
|-------------|-----------------|--|
| 1 | 661-93176 | Macintosh XL Hard Disk Assembly |
| 2 | 805-4054 | Micro Disk Drive Carrier Shelf |
| 3 | 805-4052 | Micro Disk Drive Carrier |
| 4 | 591-0017 | Micro Disk Extender Cable |
| 5 | 400-3604 | Micro Disk Drive Screw, 6-32 x 1/4 |
| 6 | 410-2306 | Micro Disk Carrier Bottom Screw, M3x5x6mm |
| 7 | 860-0009 | Micro Disk Standoff |
| 8 | 600-0030 | Macintosh XL Fan |
| 9 | 661-76156 | Micro Disk Assembly |
| 10 | 406-1618 | Fan Screw 6-32x1 |
| 11 | 860-0251 | Fan, Internal Tooth #6 |



**MACINTOSH XL CARD CAGE (Figure 8)**

| Item | Part No. | Description |
|-------------|-----------------|--------------------------------|
| 1 | 661-93105 | Lisa/Macintosh XL Memory Board |
| 2 | 661-93103 | Lisa/Macintosh XL CPU Card |
| 3 | 661-93171 | Macintosh XL I/O Board |
| 4 | 805-4051 | Macintosh XL Card Cage Chassis |
| 5 | 400-1405 | Card Cage Screw, 4-40x5/16 |
| 6 | 825-4052 | Label, Connector |
| 7 | 661-93170 | Macintosh XL Motherboard |



**LISA/MACINTOSH XL CPU BOARD (Figure 9)**

| Item | Part No. | Description |
|-------------|-----------------|-----------------------------|
| 1 | 341-0175 | Boot ROM, High 64K |
| 2 | 341-0176 | Boot ROM, Low 64K |
| 3 | 661-93103 | Lisa/Macintosh XL CPU Board |



DRAWING NUMBER
070-0201-A ^{REV} 19

| | | | |
|----------------|----------|------|--|
| REV ZONE ECO # | REVISION | APPD | |
|----------------|----------|------|--|

| | | | |
|--|--|---------------------------------|----------------|
| METRIC DIMENSIONS IN MILLIMETERS 1" = 25.4 MILLIMETERS | NOTICE OF PROPRIETARY PROPERTY THE INFORMATION CONTAINED HEREIN IS THE PROPRIETARY AND CONFIDENTIAL INFORMATION OF APPLE COMPUTER, INC. THIS DOCUMENT IS NOT TO BE REPRODUCED OR TRANSMITTED IN ANY FORM OR BY ANY MEANS, ELECTRONIC OR MECHANICAL, INCLUDING PHOTOCOPYING, RECORDING, OR BY ANY INFORMATION STORAGE AND RETRIEVAL SYSTEM, WITHOUT THE EXPRESS WRITTEN PERMISSION OF APPLE COMPUTER, INC. THIS DOCUMENT IS NOT TO BE REVEALED OR PUBLISHED IN WHOLE OR IN PART. | TITLE ILLUSTRATED PARTS LIST | SIZE B |
| MATERIAL | DATE | SERV | DRAWING NUMBER |
| 1.00 | 1985 | N/A | 070-0201-A |
| SCALE | REV | DATE | REV |
| 1:1 | 1 | 1985 | 19 |

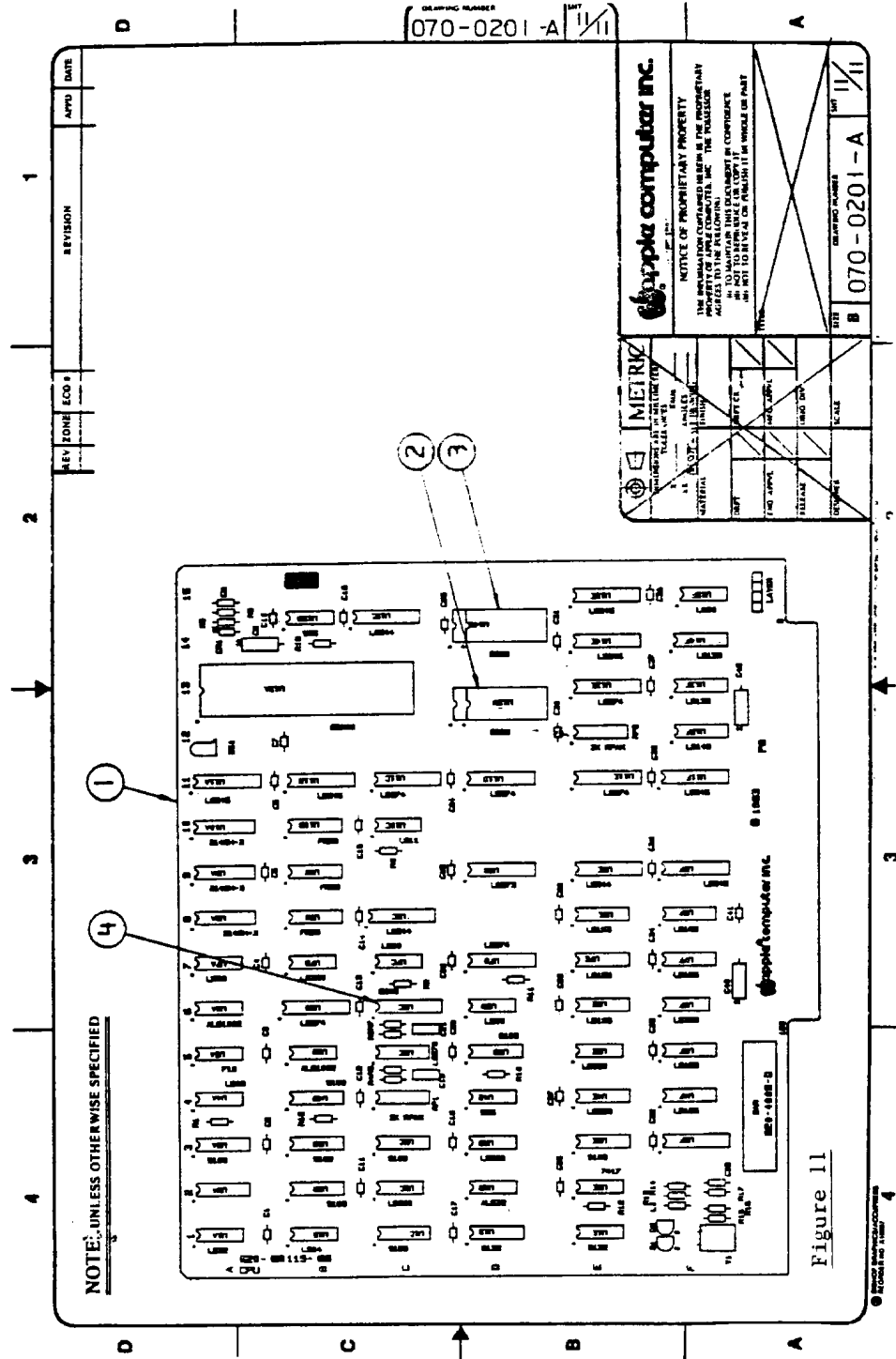
I/O BOARD

NOTE: UNLESS OTHERWISE SPECIFIED

Figure 10

**LISA/MACINTOSH XL I/O BOARD (Figure 10)**

| Item | Part No. | Description |
|-------------|-----------------|-----------------------------------|
| 1 | 341-0281 | Disk Controller ROM, Macintosh XL |



Macintosh XL

rev. Jul 85

page 3.21



LISA/MACINTOSH XL - MODIFIED CPU CARD (Figure 11)

| Item | Part No. | Description |
|------|----------|--------------------------------|
| 1 | 661-0298 | Macintosh XL Modified CPU Card |
| 2 | 341-0347 | Boot ROM, High |
| 3 | 341-0346 | Boot ROM, Low |
| 4 | 341-0348 | Video ROM |

FINIS