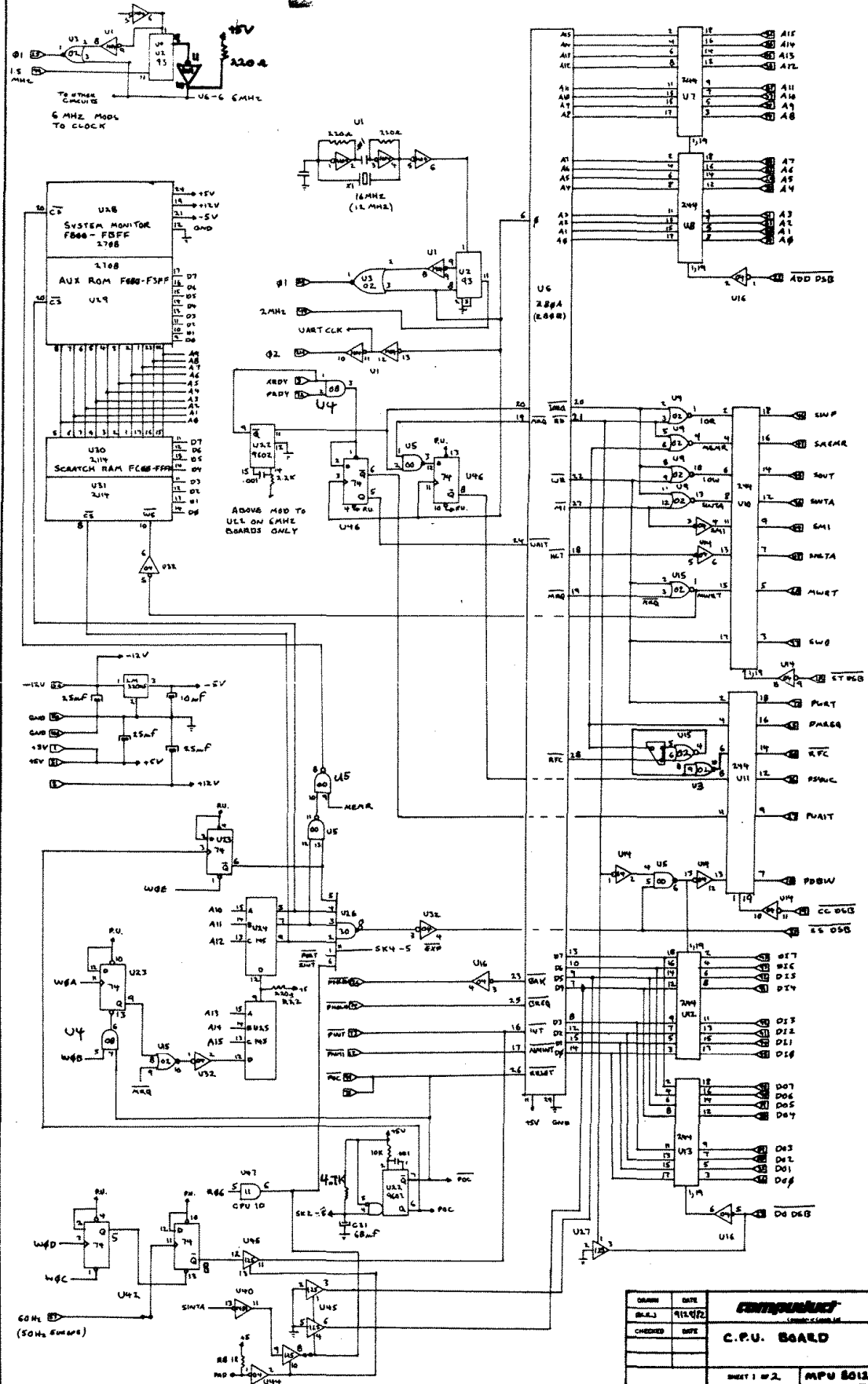


ZEUS80 DRAWINGS

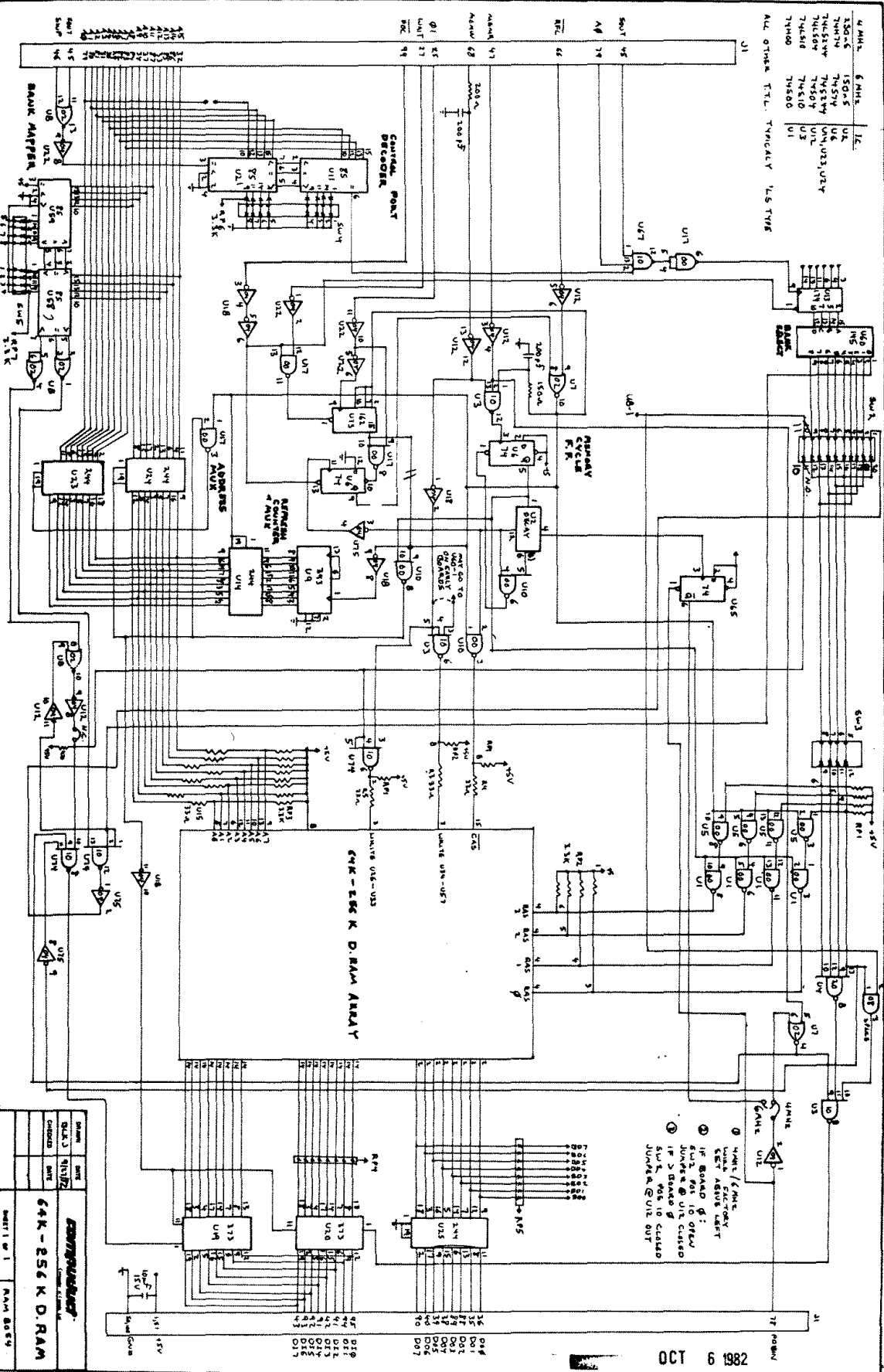
OCT 6 1982



DRAWN	DATE	CONTINENTAL CORPORATION
DR.-A.J.	9/14/82	
CHECKED	DATE	C.P.U. BOARD
		SHEET 1 OF 2 MPU 8012

U4M1A	64M1A	1/2
U4M1B	64M1B	1/2
U4M1C	64M1C	1/2
U4M1D	64M1D	1/2
U4M1E	64M1E	1/2
U4M1F	64M1F	1/2
U4M1G	64M1G	1/2
U4M1H	64M1H	1/2
U4M1I	64M1I	1/2
U4M1J	64M1J	1/2
U4M1K	64M1K	1/2
U4M1L	64M1L	1/2
U4M1M	64M1M	1/2
U4M1N	64M1N	1/2
U4M1O	64M1O	1/2
U4M1P	64M1P	1/2
U4M1Q	64M1Q	1/2
U4M1R	64M1R	1/2
U4M1S	64M1S	1/2
U4M1T	64M1T	1/2
U4M1U	64M1U	1/2
U4M1V	64M1V	1/2
U4M1W	64M1W	1/2
U4M1X	64M1X	1/2
U4M1Y	64M1Y	1/2
U4M1Z	64M1Z	1/2

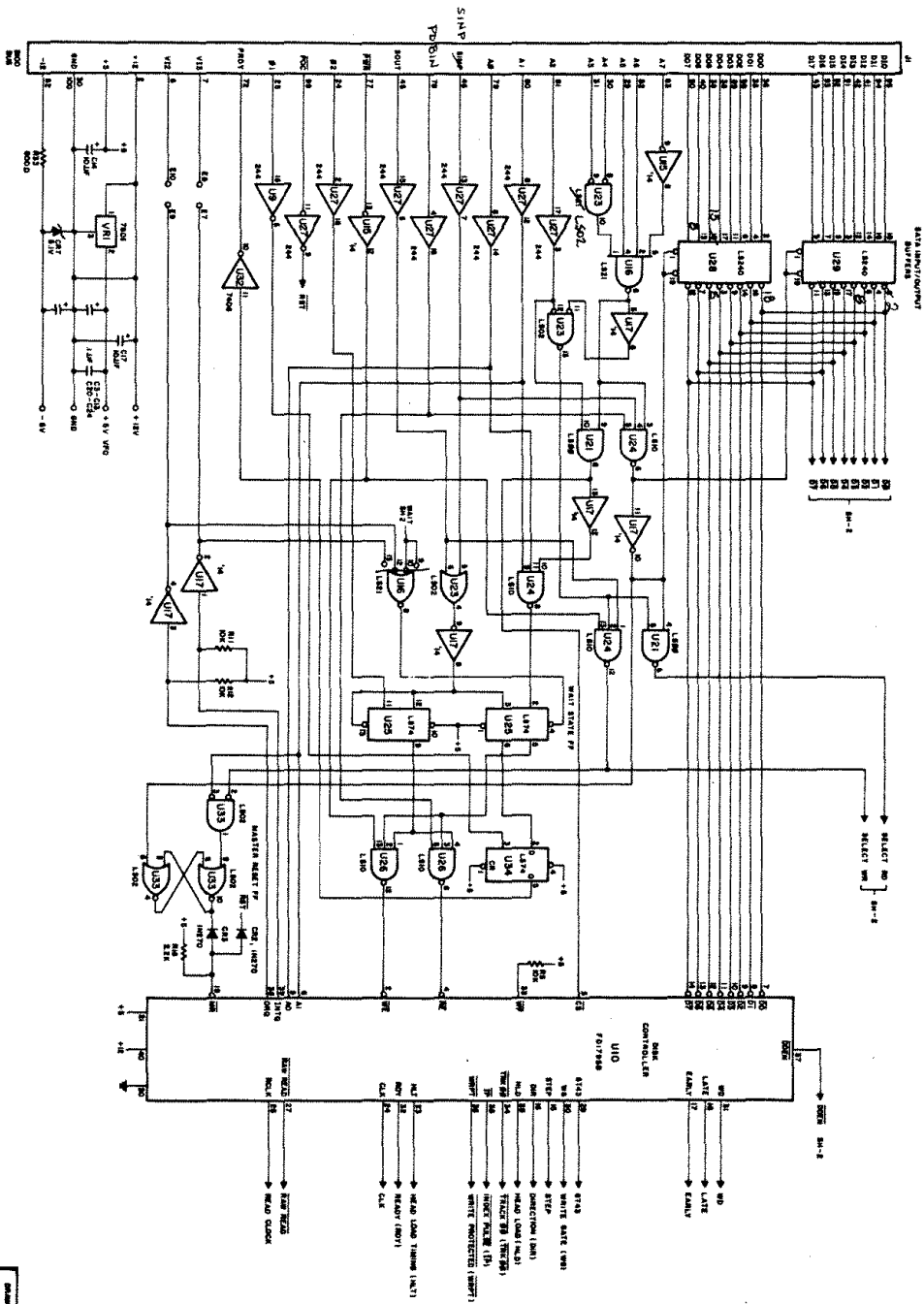
ALL OTHERS TTL. TYPICALLY 1.5S TYPE



- ① UNIT / BOARD UNIT ADDRESS LEFT
- ② IF BOARD ②: UNIT FOR 10 OFFER JUMPER @ UNIT CLEARD IF ② BOARD ② SW R. PINS 10 CLEARD JUMPER SW R. OUT

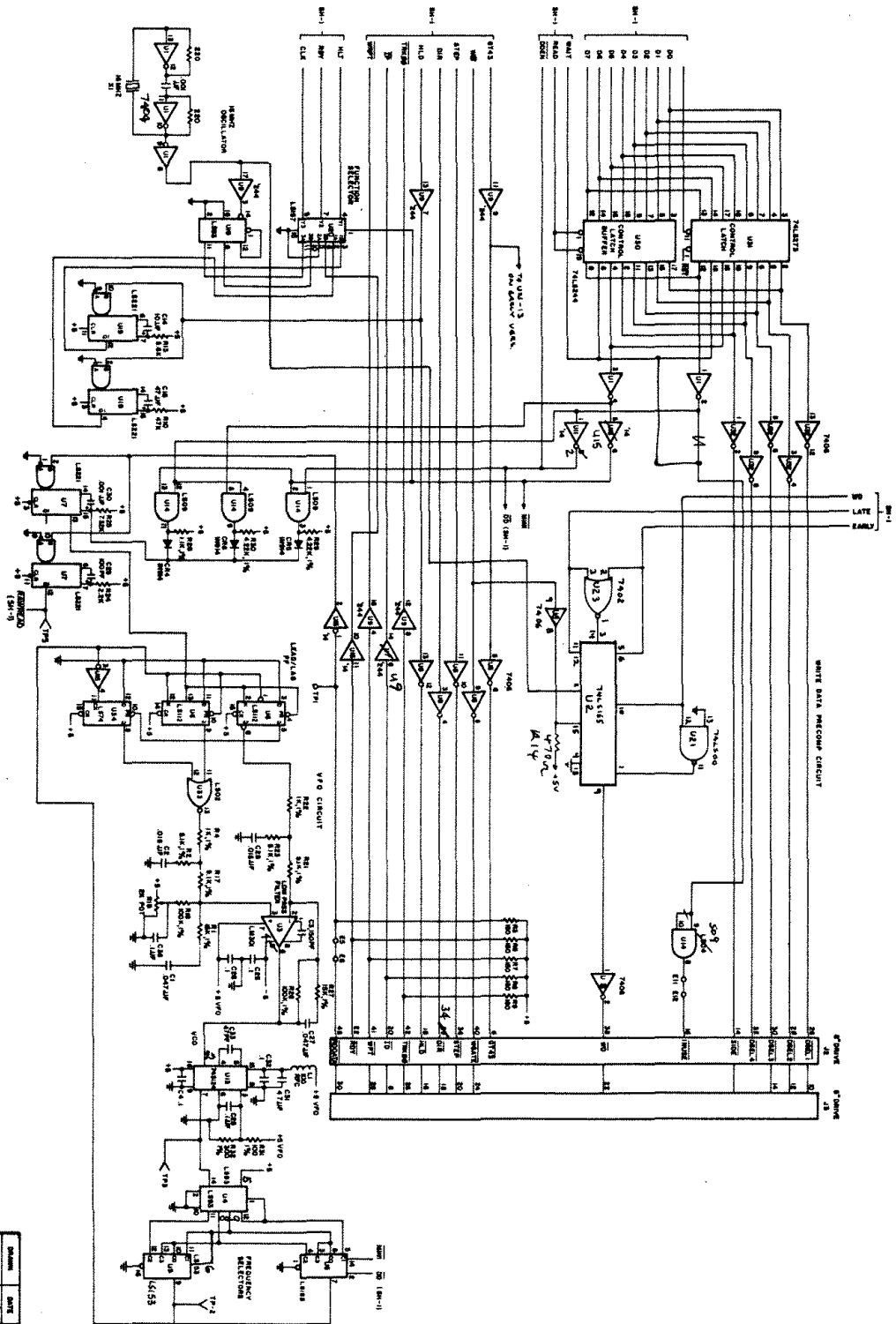
BOARD	UNIT	ADDRESS
BOARD 3	UNIT 1	ADDRESS 1
BOARD 3	UNIT 2	ADDRESS 2
BOARD 3	UNIT 3	ADDRESS 3
BOARD 3	UNIT 4	ADDRESS 4
BOARD 3	UNIT 5	ADDRESS 5
BOARD 3	UNIT 6	ADDRESS 6
BOARD 3	UNIT 7	ADDRESS 7
BOARD 3	UNIT 8	ADDRESS 8
BOARD 3	UNIT 9	ADDRESS 9
BOARD 3	UNIT 10	ADDRESS 10
BOARD 3	UNIT 11	ADDRESS 11
BOARD 3	UNIT 12	ADDRESS 12
BOARD 3	UNIT 13	ADDRESS 13
BOARD 3	UNIT 14	ADDRESS 14
BOARD 3	UNIT 15	ADDRESS 15
BOARD 3	UNIT 16	ADDRESS 16
BOARD 3	UNIT 17	ADDRESS 17
BOARD 3	UNIT 18	ADDRESS 18
BOARD 3	UNIT 19	ADDRESS 19
BOARD 3	UNIT 20	ADDRESS 20
BOARD 3	UNIT 21	ADDRESS 21
BOARD 3	UNIT 22	ADDRESS 22
BOARD 3	UNIT 23	ADDRESS 23
BOARD 3	UNIT 24	ADDRESS 24
BOARD 3	UNIT 25	ADDRESS 25
BOARD 3	UNIT 26	ADDRESS 26
BOARD 3	UNIT 27	ADDRESS 27
BOARD 3	UNIT 28	ADDRESS 28
BOARD 3	UNIT 29	ADDRESS 29
BOARD 3	UNIT 30	ADDRESS 30
BOARD 3	UNIT 31	ADDRESS 31
BOARD 3	UNIT 32	ADDRESS 32
BOARD 3	UNIT 33	ADDRESS 33
BOARD 3	UNIT 34	ADDRESS 34
BOARD 3	UNIT 35	ADDRESS 35
BOARD 3	UNIT 36	ADDRESS 36
BOARD 3	UNIT 37	ADDRESS 37
BOARD 3	UNIT 38	ADDRESS 38
BOARD 3	UNIT 39	ADDRESS 39
BOARD 3	UNIT 40	ADDRESS 40
BOARD 3	UNIT 41	ADDRESS 41
BOARD 3	UNIT 42	ADDRESS 42
BOARD 3	UNIT 43	ADDRESS 43
BOARD 3	UNIT 44	ADDRESS 44
BOARD 3	UNIT 45	ADDRESS 45
BOARD 3	UNIT 46	ADDRESS 46
BOARD 3	UNIT 47	ADDRESS 47
BOARD 3	UNIT 48	ADDRESS 48
BOARD 3	UNIT 49	ADDRESS 49
BOARD 3	UNIT 50	ADDRESS 50
BOARD 3	UNIT 51	ADDRESS 51
BOARD 3	UNIT 52	ADDRESS 52
BOARD 3	UNIT 53	ADDRESS 53
BOARD 3	UNIT 54	ADDRESS 54
BOARD 3	UNIT 55	ADDRESS 55
BOARD 3	UNIT 56	ADDRESS 56
BOARD 3	UNIT 57	ADDRESS 57
BOARD 3	UNIT 58	ADDRESS 58
BOARD 3	UNIT 59	ADDRESS 59
BOARD 3	UNIT 60	ADDRESS 60
BOARD 3	UNIT 61	ADDRESS 61
BOARD 3	UNIT 62	ADDRESS 62
BOARD 3	UNIT 63	ADDRESS 63
BOARD 3	UNIT 64	ADDRESS 64
BOARD 3	UNIT 65	ADDRESS 65
BOARD 3	UNIT 66	ADDRESS 66
BOARD 3	UNIT 67	ADDRESS 67
BOARD 3	UNIT 68	ADDRESS 68
BOARD 3	UNIT 69	ADDRESS 69
BOARD 3	UNIT 70	ADDRESS 70
BOARD 3	UNIT 71	ADDRESS 71
BOARD 3	UNIT 72	ADDRESS 72
BOARD 3	UNIT 73	ADDRESS 73
BOARD 3	UNIT 74	ADDRESS 74
BOARD 3	UNIT 75	ADDRESS 75
BOARD 3	UNIT 76	ADDRESS 76
BOARD 3	UNIT 77	ADDRESS 77
BOARD 3	UNIT 78	ADDRESS 78
BOARD 3	UNIT 79	ADDRESS 79
BOARD 3	UNIT 80	ADDRESS 80
BOARD 3	UNIT 81	ADDRESS 81
BOARD 3	UNIT 82	ADDRESS 82
BOARD 3	UNIT 83	ADDRESS 83
BOARD 3	UNIT 84	ADDRESS 84
BOARD 3	UNIT 85	ADDRESS 85
BOARD 3	UNIT 86	ADDRESS 86
BOARD 3	UNIT 87	ADDRESS 87
BOARD 3	UNIT 88	ADDRESS 88
BOARD 3	UNIT 89	ADDRESS 89
BOARD 3	UNIT 90	ADDRESS 90
BOARD 3	UNIT 91	ADDRESS 91
BOARD 3	UNIT 92	ADDRESS 92
BOARD 3	UNIT 93	ADDRESS 93
BOARD 3	UNIT 94	ADDRESS 94
BOARD 3	UNIT 95	ADDRESS 95
BOARD 3	UNIT 96	ADDRESS 96
BOARD 3	UNIT 97	ADDRESS 97
BOARD 3	UNIT 98	ADDRESS 98
BOARD 3	UNIT 99	ADDRESS 99
BOARD 3	UNIT 100	ADDRESS 100

OCT 6 1982



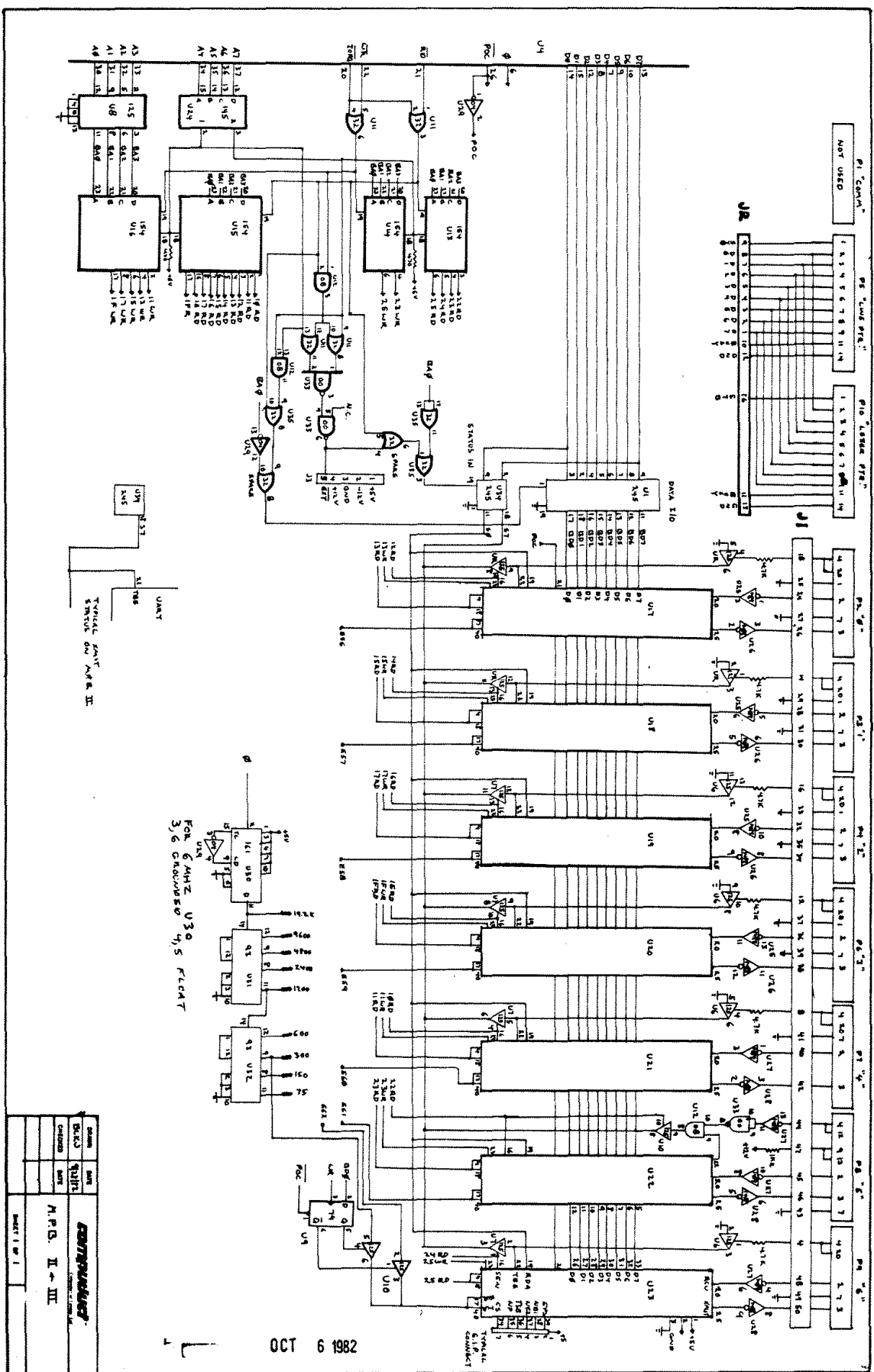
Model	Part	CONTRONIC DISK CONTROLLER PC BOARD
GA-101	410101	
Options	Part	
Model 1 of 2	PCB 0018	

OCT 9 1982



REVISED	DATE	BY	DESCRIPTION
1	11/17/82	MMZ	DISK CONTROLLER PC BOARD
2			
3			
4			
5			
6			
7			
8			
9			
10			
11			
12			
13			
14			
15			
16			
17			
18			
19			
20			
21			
22			
23			
24			
25			
26			
27			
28			
29			
30			
31			
32			
33			
34			
35			
36			
37			
38			
39			
40			
41			
42			
43			
44			
45			
46			
47			
48			
49			
50			
51			
52			
53			
54			
55			
56			
57			
58			
59			
60			
61			
62			
63			
64			
65			
66			
67			
68			
69			
70			
71			
72			
73			
74			
75			
76			
77			
78			
79			
80			
81			
82			
83			
84			
85			
86			
87			
88			
89			
90			
91			
92			
93			
94			
95			
96			
97			
98			
99			
100			

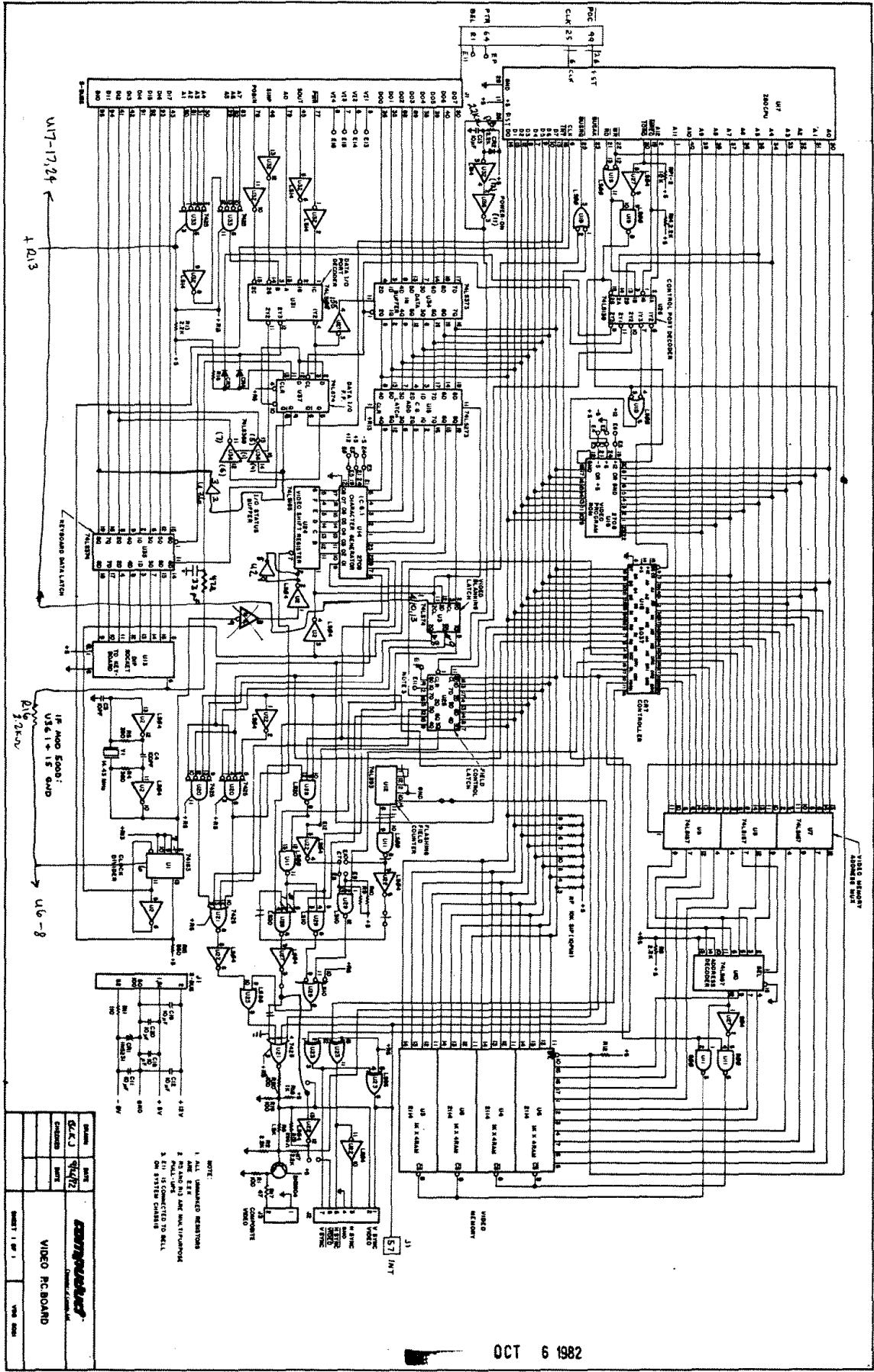
OCT 6 1982



FOR 6.44HZ U30
3,6 CHARACTER 4,5 PLS CAT

OCT 6 1982

REV	DATE	BY	CHKD	APP'D
1	10/11/82
M.P.S. II - III				
REVISION 1				

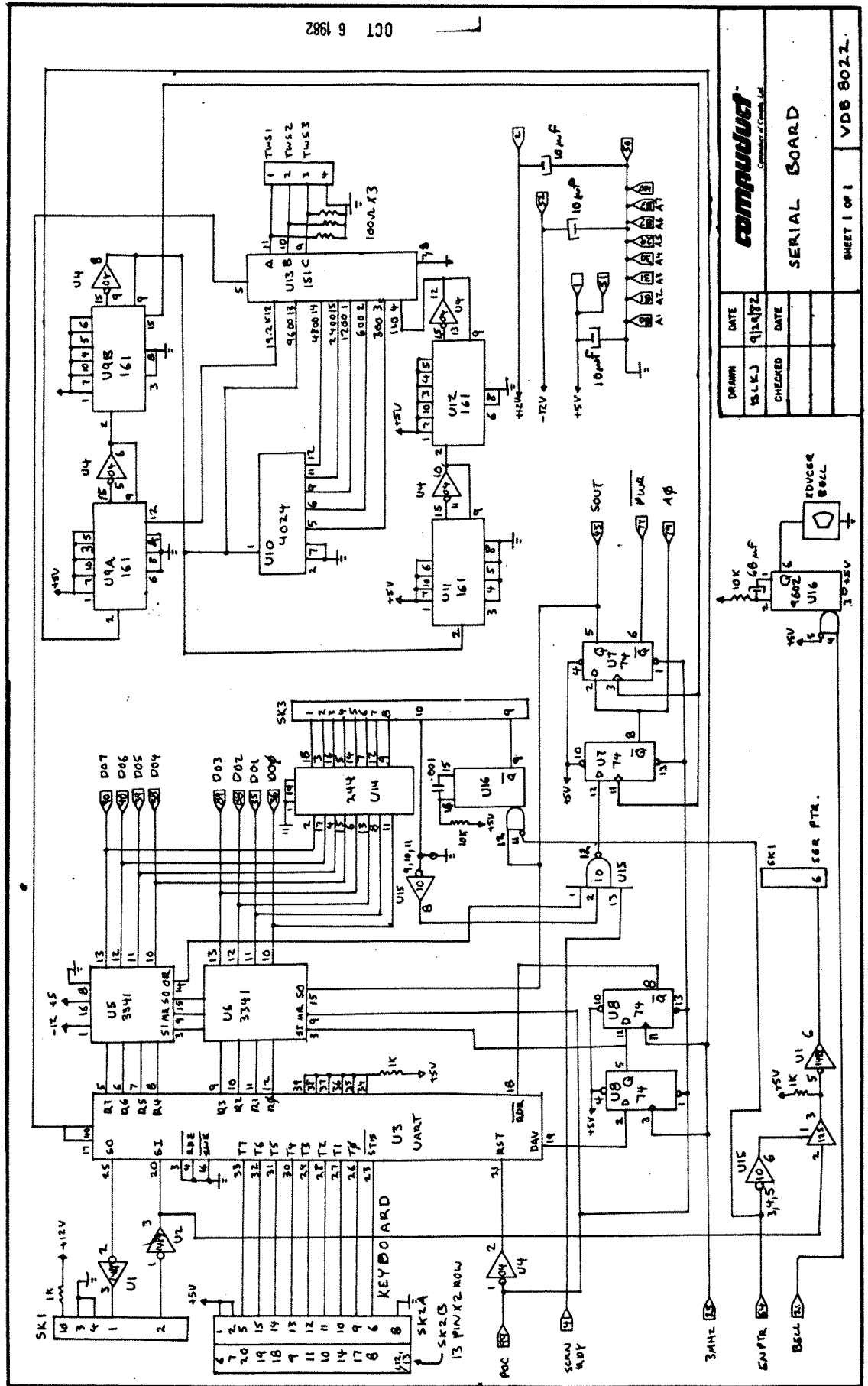


W7-17-24
1.013

IF ADD 5000:
V561 + 15 GARD
U16-8

DATE	REV	DESCRIPTION
6/2/77	1	ISSUED FOR PRODUCTION
6/2/77	2	REVISIONS TO ALL SYSTEMS
6/2/77	3	REVISIONS TO ALL SYSTEMS

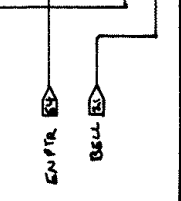
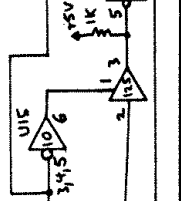
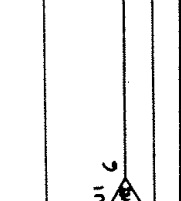
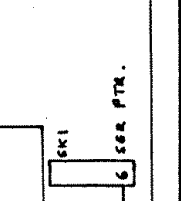
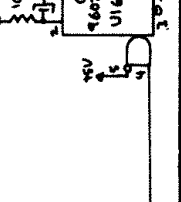
NOTE:
1. ALL DIMENSIONS IN INCHES.
2. ALL DIMENSIONS ARE MINIMUMS.
3. DIMENSIONS ARE TO CENTER UNLESS OTHERWISE SPECIFIED.
4. DIMENSIONS ARE TO CENTER UNLESS OTHERWISE SPECIFIED.



compucon
Computer Controls, Inc.

DRAWN	DATE
SKLJK	9/12/82
CHECKED	DATE

SERIAL BOARD



KEYBOARD RESET SWITCH MODIFICATION

BOTTOM VIEW

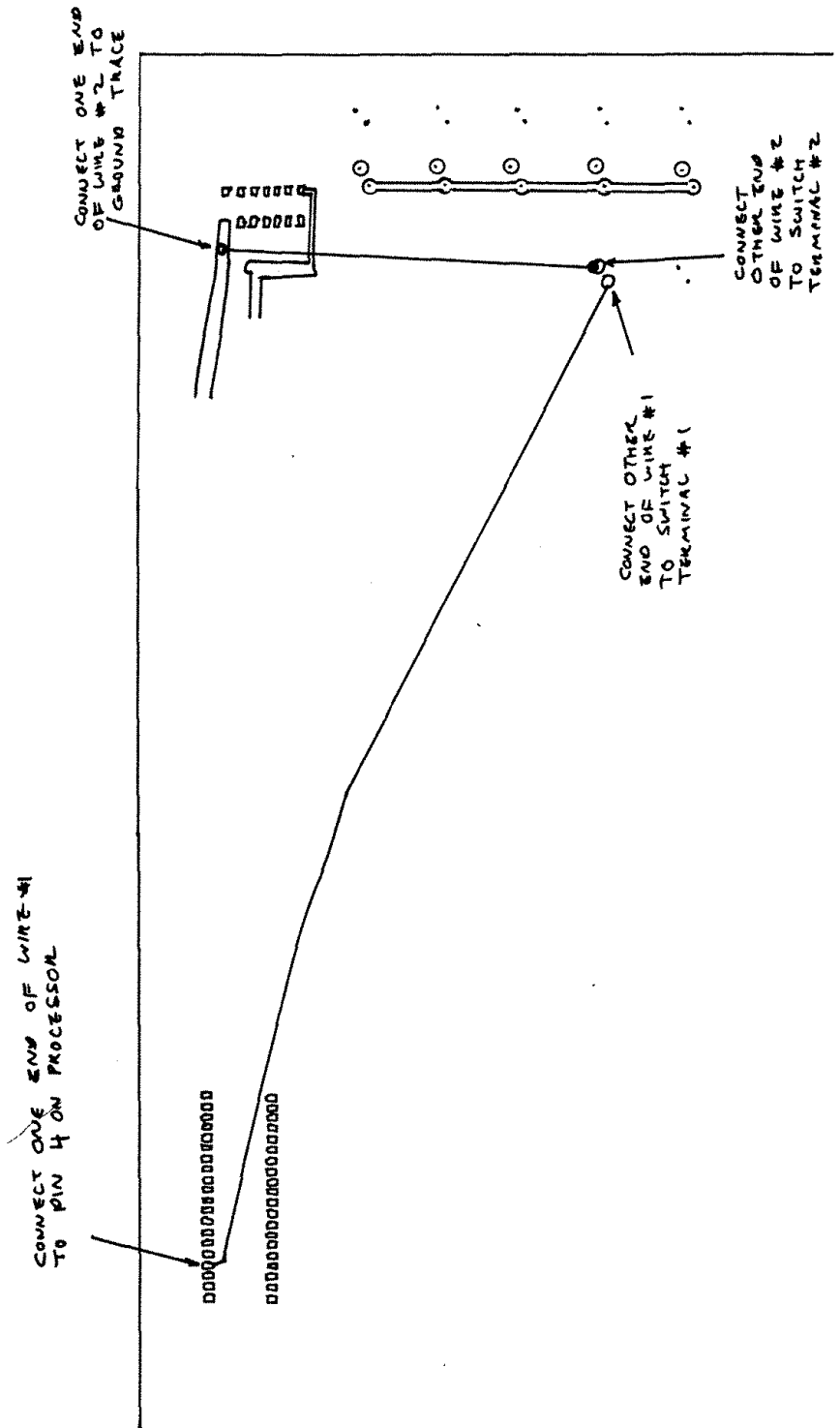
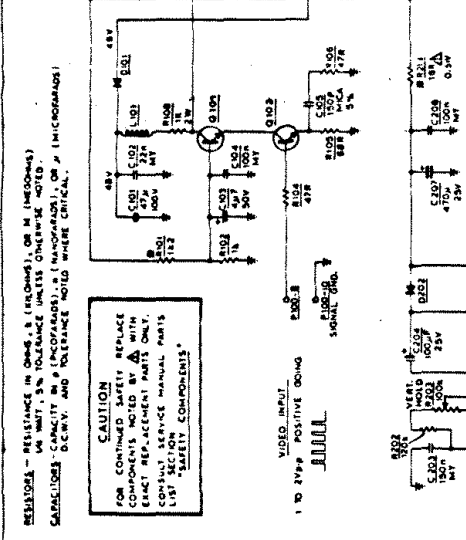
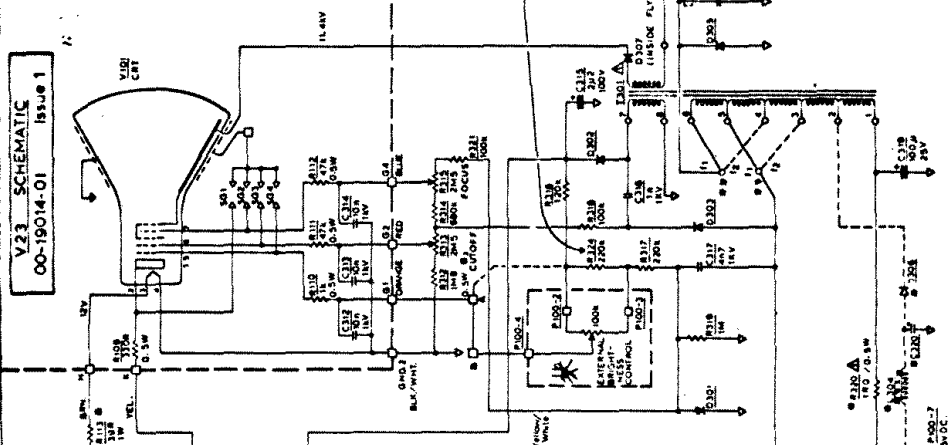


TABLE 1
R-VALUE STATEMENT ON SUPPLY COMPONENT BY 15V/5A, 8* 12V/5A

R101	10K	100
R113	10K	100
R114	10K	100
R115	10K	100
R116	10K	100
R117	10K	100
R118	10K	100
R119	10K	100
R120	10K	100
R121	10K	100
R122	10K	100
R123	10K	100
R124	10K	100
R125	10K	100
R126	10K	100
R127	10K	100
R128	10K	100
R129	10K	100
R130	10K	100

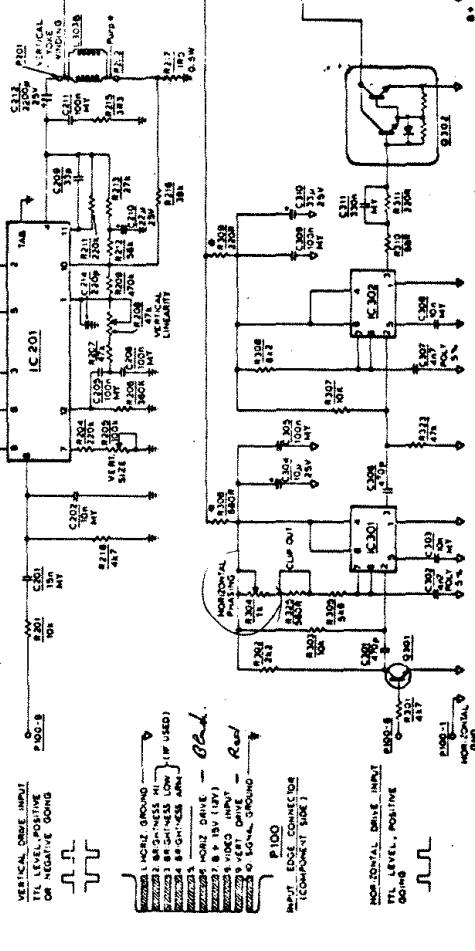
TABLE 2
* OPERATING FREQUENCY

FREQUENCY	CONNECTIONS
1-1500/3000	0
1-5000/10000	4
1-15000/30000	5
1-25000/50000	27A
1-50000/100000	27B



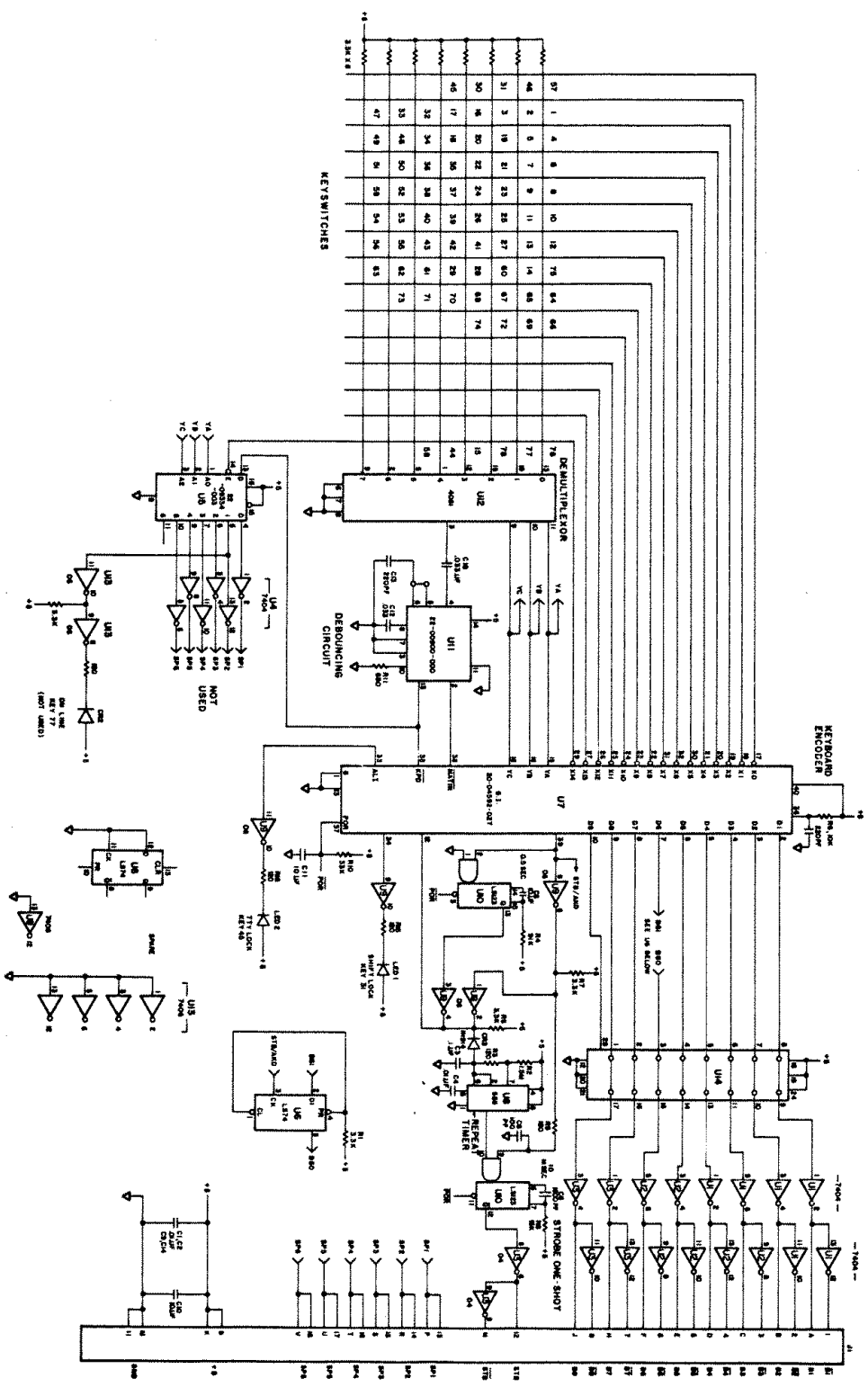
TRANSISTORS - INTEGRATED CIRCUITS - DIODES

SYMBOL	FUNCTION	ELECTRONIC PART NUMBER	DESIGNATION	TYPE
Q101	VIDEO OUTPUT	14-204-10	1P15M	A
Q102	VIDEO PREAMP	14-204-12	1P15C	A
Q103	VERTICAL DEFLECTION	14-204-31	1P15C	C
Q104	TRIGGER AMP	14-204-01	1P15M	F
Q105	HORIZ DELAY	14-201-01	1P15B	B
Q106	HORIZ DRIVE	14-201-01	1P15B	E
Q107	HORIZ OUTPUT	14-200-01	1P15B	D
Q108	TRIGGER PULLER	14-221-27	1P15M	I
Q109	VERTICAL FEEDBACK	14-221-27	1P15M	I
Q110	NEGATIVE SUPPLY CLAMP	14-214-18A7	1P15M	H
Q111	8+ VIDEO SUPPLY	14-214-23A7	1P15M	H
Q112	8+ VIDEO SUPPLY	14-214-23A7	1P15M	H
Q113	8+ VIDEO SUPPLY	14-214-23A7	1P15M	H
Q114	8+ VIDEO SUPPLY	14-214-23A7	1P15M	H
Q115	8+ VIDEO SUPPLY	14-214-23A7	1P15M	H
Q116	8+ VIDEO SUPPLY	14-214-23A7	1P15M	H
Q117	8+ VIDEO SUPPLY	14-214-23A7	1P15M	H
Q118	8+ VIDEO SUPPLY	14-214-23A7	1P15M	H
Q119	8+ VIDEO SUPPLY	14-214-23A7	1P15M	H
Q120	8+ VIDEO SUPPLY	14-214-23A7	1P15M	H
Q121	8+ VIDEO SUPPLY	14-214-23A7	1P15M	H
Q122	8+ VIDEO SUPPLY	14-214-23A7	1P15M	H
Q123	8+ VIDEO SUPPLY	14-214-23A7	1P15M	H
Q124	8+ VIDEO SUPPLY	14-214-23A7	1P15M	H
Q125	8+ VIDEO SUPPLY	14-214-23A7	1P15M	H
Q126	8+ VIDEO SUPPLY	14-214-23A7	1P15M	H
Q127	8+ VIDEO SUPPLY	14-214-23A7	1P15M	H
Q128	8+ VIDEO SUPPLY	14-214-23A7	1P15M	H
Q129	8+ VIDEO SUPPLY	14-214-23A7	1P15M	H
Q130	8+ VIDEO SUPPLY	14-214-23A7	1P15M	H



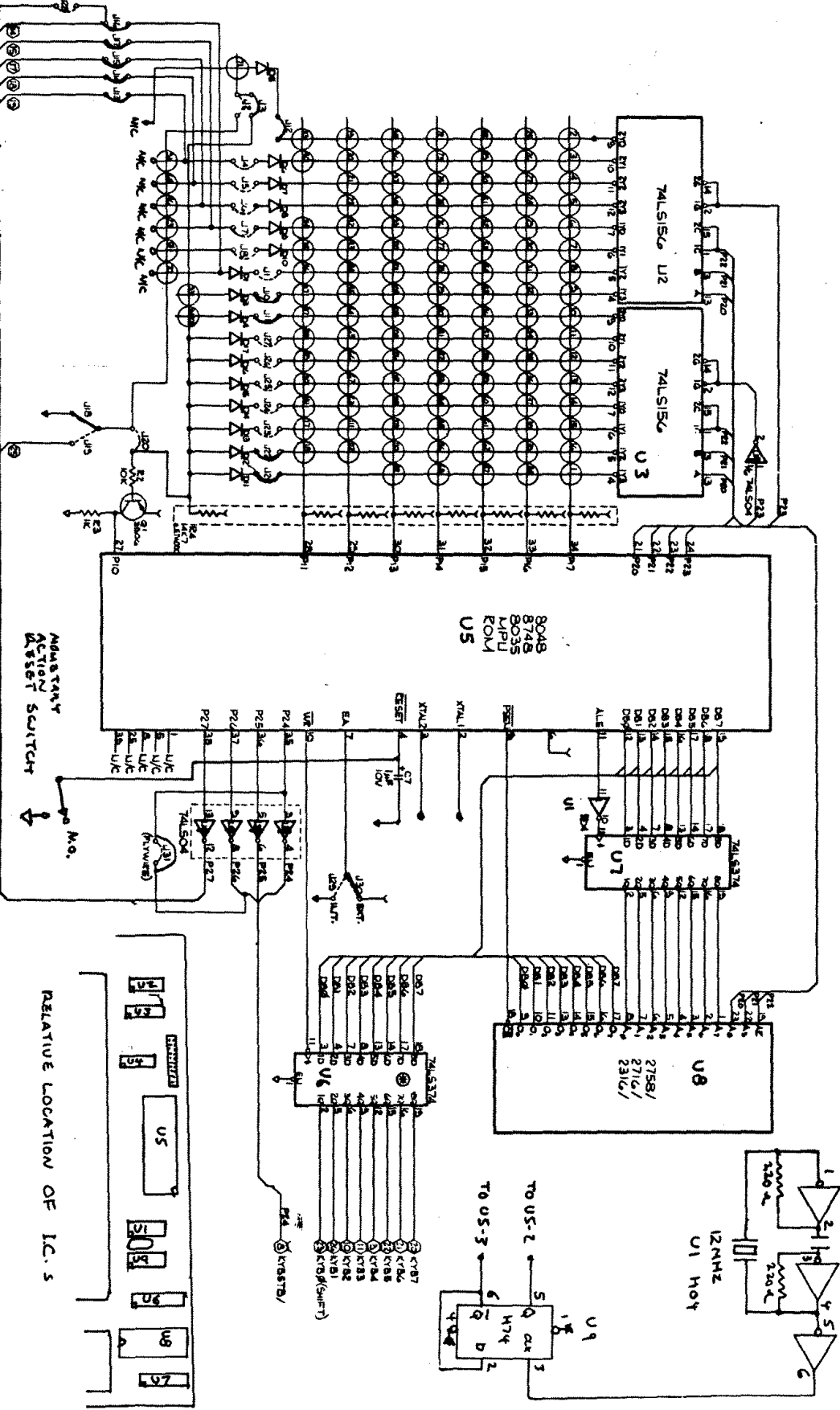
* 15VDC OPTIONAL, SEE TABLE 1

~~SCHEMATIC~~



130 9 1982

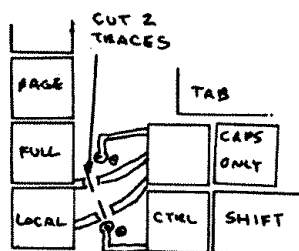
DATE	REV	BY	CHK
01/12/82	1
CONTRACT			
KEYBOARD			
MODEL: 1000			
SHEET 1 OF 1			



ALL DIODES ARE 1N4148 UNLESS OTHERWISE SPECIFIED

KEYBOARD RESET SWITCH MODIFICATION

TOP VIEW, LOWER LEFT CORNER



- ① REMOVE KEYBOARD FROM BASE
- ② LOCATE TRACES ON TOP SIDE AS SHOWN ON LEFT
- ③ WITH XACTO KNIFE MAKE A CLEAN CUT ON TWO TRACES AS INDICATED
- ④ TURN BOARD OVER + SOLDER TWO WIRES IN PLACE AS SHOWN ON SHEET 2
WIRES MUST BE INSULATED
- ⑤ TEST ACTION OF SWITCH AND INSURE IT DOES NOT REMAIN "ON" WHEN RELEASED
IF IT DOES, REMOVE KEY CAP & WITH A KNIFE OR PEN SLIDE LOCKING CAM OFF OF LOCKING PIN ON KEYCAP SHAFT, THEN PUSH CAM TO RIGHT SIDE.

SHEET 1 OF 2