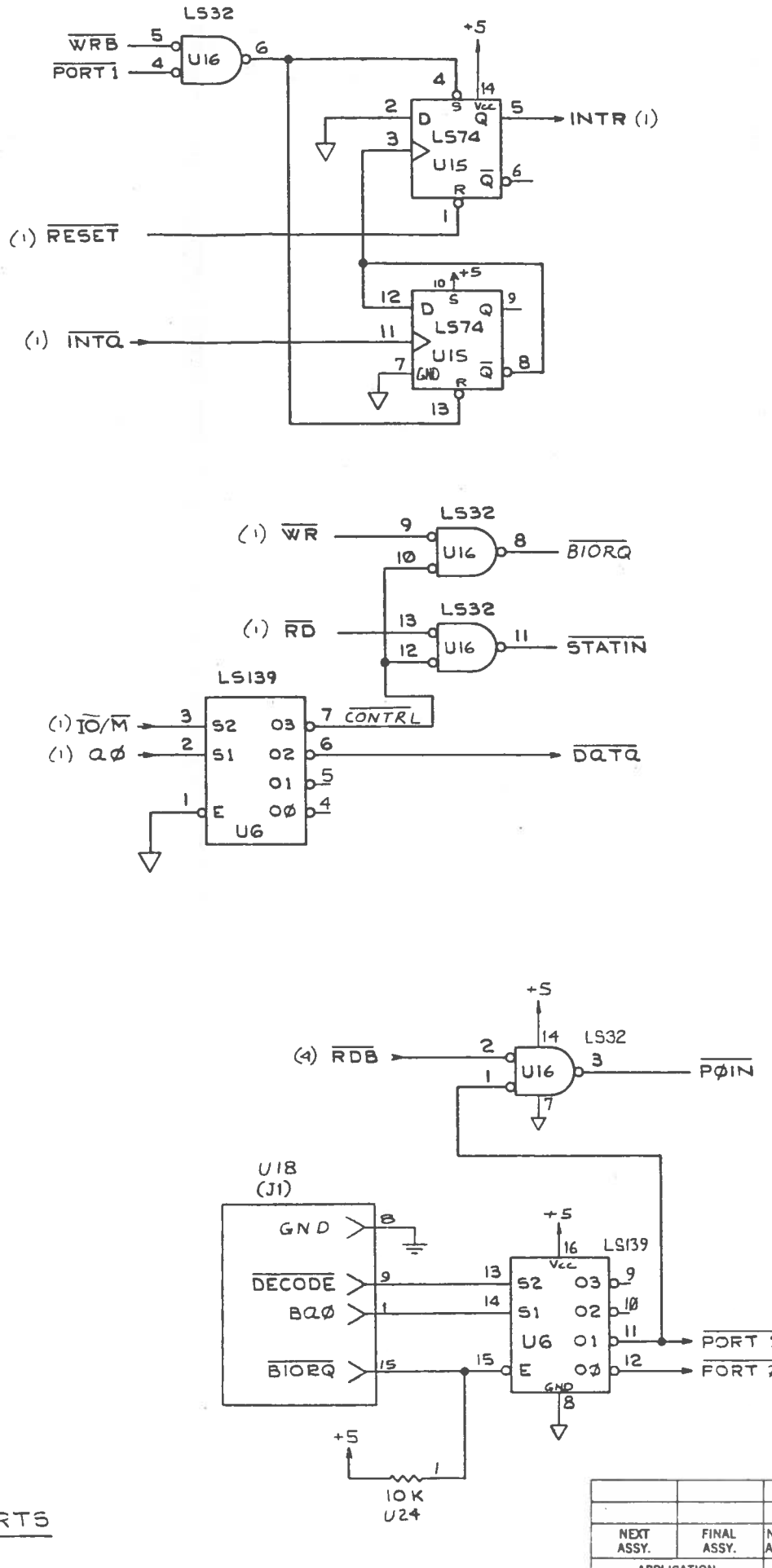
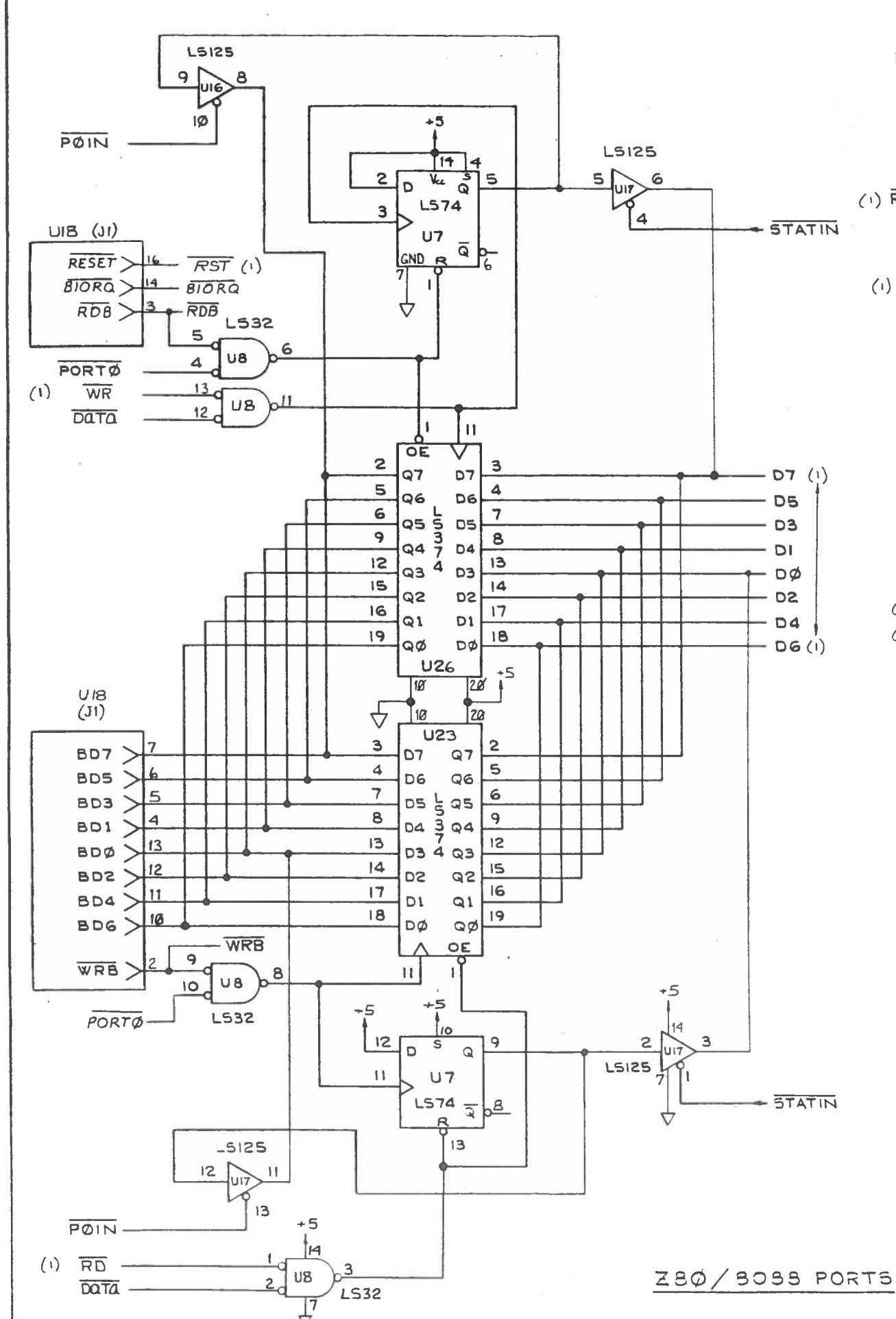


2		1	
REVISIONS			
ZONE	LTR.	EFFECT.	DESCRIPTION



PROPRIETARY INFORMATION

Not for distribution or transmission to any other person, organization or company without the permission of Raypro Corporation.

QTY REQD	PART OR IDENTIFYING NO.	NOMENCLATURE OR DESCRIPTION	MFR. CODE	CIRCUIT REF.	ITEM NO.
PARTS LIST					
CONTR. NO.		NLS NON-LINEAR SYSTEMS, INC. DEL MAR, CALIFORNIA			
DRAWN K. BILINSKI 1-31-84					
CHECK HRB 2-14-84					
APPR RWT 2-20-84					
RELEASE DATE 2-20-84/51					
SCHEMATIC - MS-DOS MODIFIED UNIVERSAL BOARD					
USES 81-430 PC.					
SIZE	CODE IDENT NO.				
D	03626	81-352			
SCALE	WEIGHT	SHEET 4 of 4			

APPLICATION	QTY.

Z80/8088 PORTS