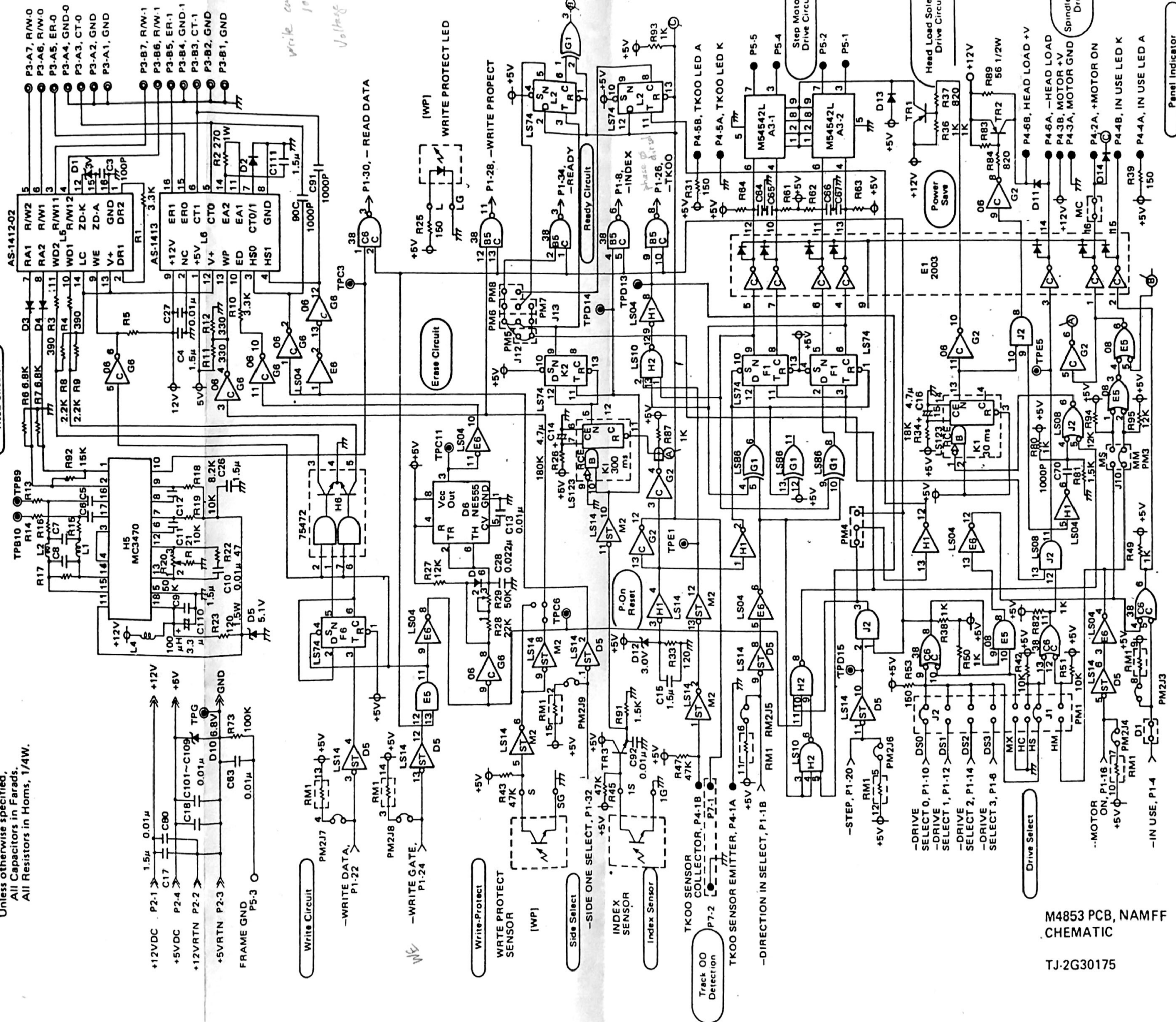


6
5
4
3
2
1

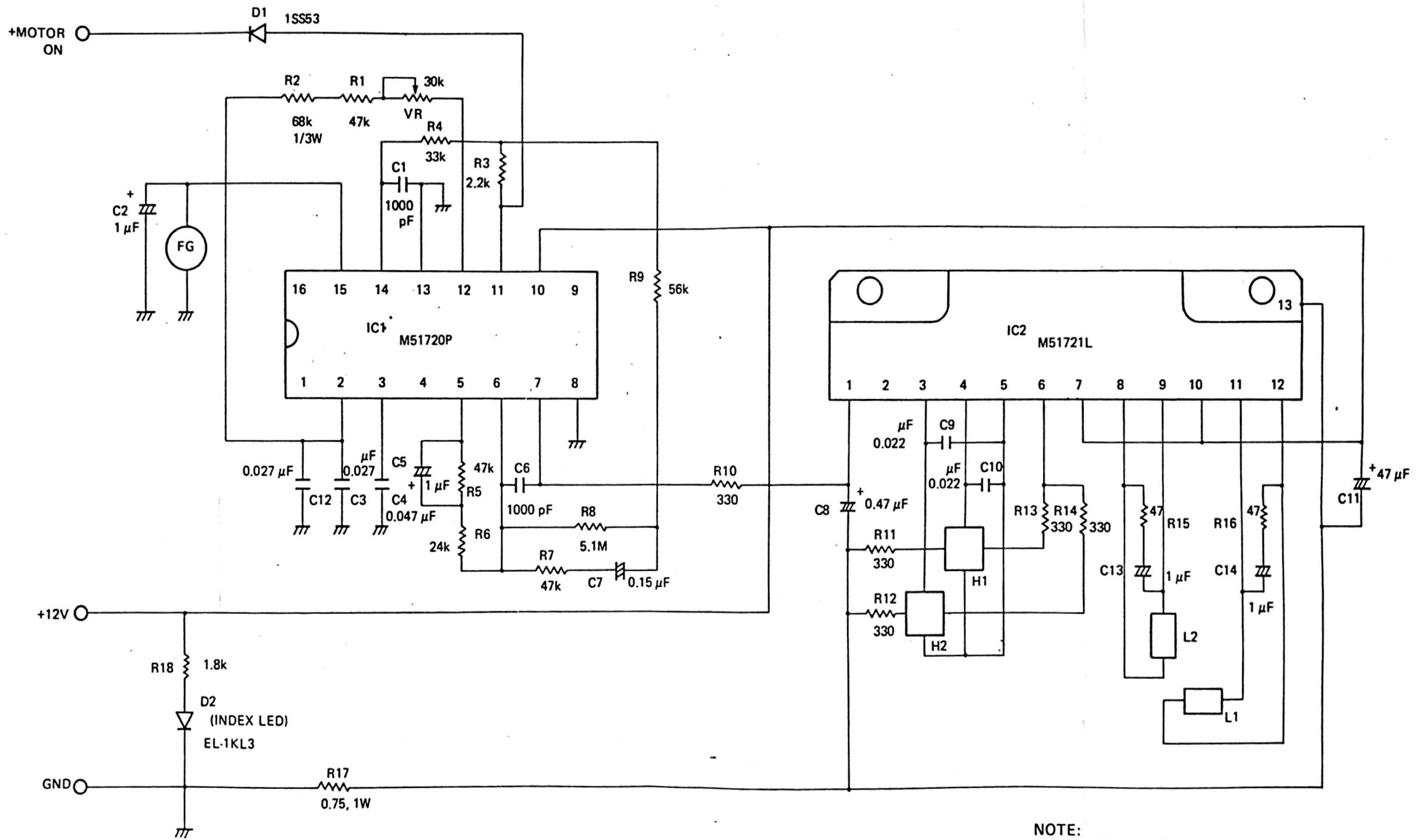
M4853 PCB, NAMFF
PARTS LOCATION DIAGRAM
TJ2-G30175

RM1 150 C5, C6 0.022μ R13, R14 1K R15, R16 470 C7, C8 1000P R17 1.5K C11 330P C12 150P R61 ~ R64 1K C64 ~ C67 0.1μ

Note
 Unless otherwise specified,
 All Capacitors in Farads,
 All Resistors in Ohms, 1/4W.



M4853 PCB, NAMFF
 CHEMATIC
 TJ-2G30175



NOTE:
 UNIT: Ohms for Resistors
 Rotation speed: 300RPM

M4853 SPINDLE MOTOR
 ASSY SCHEMATIC

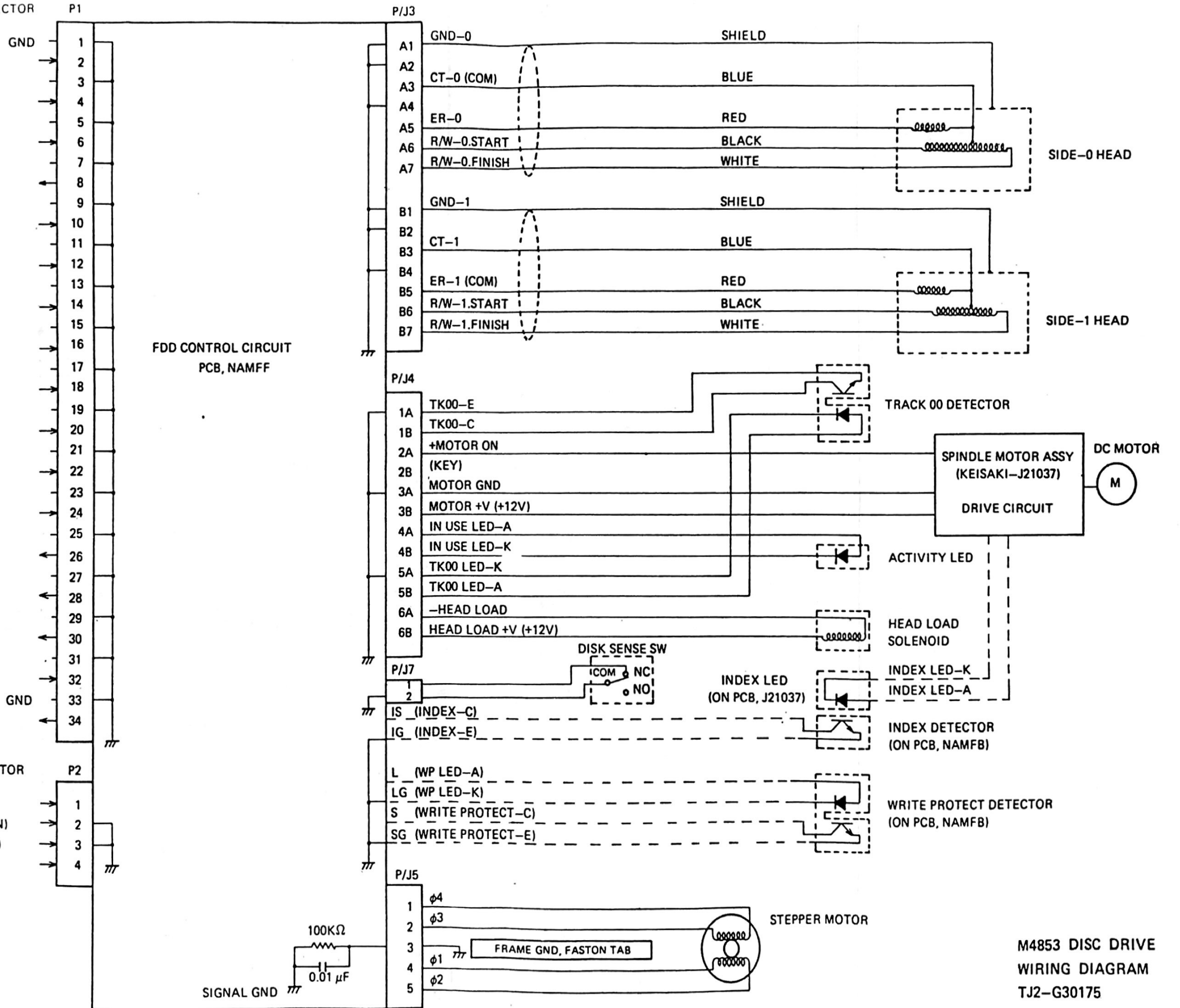
TJ2-G30175

SIGNAL INTERFACE CONNECTOR P1

- SPARE
- IN USE
- DRIVE SELECT-3
- INDEX
- DRIVE SELECT-0
- DRIVE SELECT-1
- DRIVE SELECT-2
- MOTOR ON
- DIRECTION SELECT
- STEP
- WRITE DATA
- WRITE GATE
- TRACK 00
- WRITE PROTECT
- READ DATA
- SIDE ONE SELECT
- READY

DC POWER SUPPLY CONNECTOR P2

- +12V DC
- 0V (+12V RETURN)
- 0V (+5V RETURN)
- +5V DC



M4853 DISC DRIVE WIRING DIAGRAM TJ2-G30175