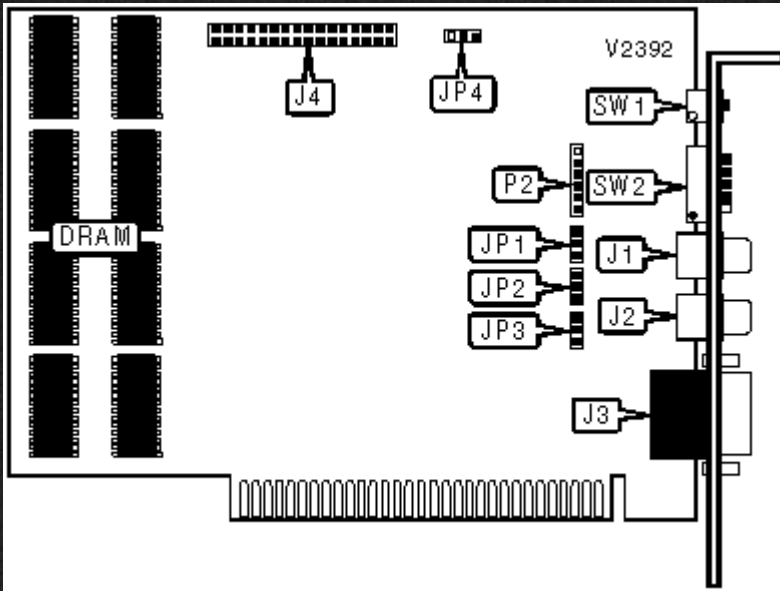


# VIDEO SEVEN

## VEGA DELUXE

**Card Type** Video card  
**Video Processor** Video Seven  
**Maximum Onboard Memory** 256KB DRAM  
**I/O Options** Feature connector, light pen port  
**Data Bus** 8-bit ISA  
**Video Types Supported** EGA  
**Highest Resolution Supported** 752 x 410



### CONNECTIONS

Function	Label	Function	Label
Unidentified	J1	Feature connector	J4
Unidentified	J2	Light pen port	P2
9-pin EGA port	J3		

**USER CONFIGURABLE SETTINGS**

	<b>Setting</b>	<b>Label</b>	<b>Position</b>
»	Base I/O address set to 3D0h	JP1	Pins 1 & 2 closed
	Base I/O address set to 2D0h	JP1	Pins 2 & 3 closed
»	Card is installed in normal slot	JP2	Pins 2 & 3 closed
	Card is installed in XT slot 8	JP2	Pins 1 & 2 closed
»	Factory configured - do not alter	JP3	Unidentified
»	Second feature connector clock enabled	JP4	Pins 2 & 3 closed
	Second feature connector clock disabled	JP4	Pins 1 & 2 closed
»	Card will emulate CGA and MDA modes as necessary	SW2/5	On
	Card is 100% EGA compatible	SW2/5	Off
»	Factory configured - do not alter	SW2/6	Unidentified

**MONITOR TYPE (EGA PRIMARY)**

<b>Primary</b>	<b>Secondary</b>	<b>SW1</b>	<b>SW2/1</b>	<b>SW2/2</b>	<b>SW2/3</b>	<b>SW2/4</b>
CGA, 40 x 25	Monochrome	Off	On	Off	Off	On
CGA, 80 x 25	Monochrome	Off	Off	Off	Off	On
EGA, 40 x 25	Monochrome	On	On	On	On	Off

EGA, 80 x 25	Monochrome	On	Off	On	On	Off
Monochrome	CGA, 40 x 25	Off	On	Off	On	Off
Monochrome	CGA, 80 x 25	Off	Off	Off	On	Off

MONITOR TYPE (EGA SECONDARY)						
Primary	Secondary	SW1	SW2/1	SW2/2	SW2/3	SW2/4
Monochrome	CGA, 40 x 25	Off	On	On	On	On
Monochrome	CGA, 80 x 25	Off	Off	On	On	On
Monochrome	EGA, 40 x 25	On	On	Off	On	On
Monochrome	EGA, 80 x 25	On	Off	Off	On	On
CGA, 40 x 25	Monochrome	Off	On	On	Off	On
CGA, 80 x 25	Monochrome	Off	Off	On	Off	On