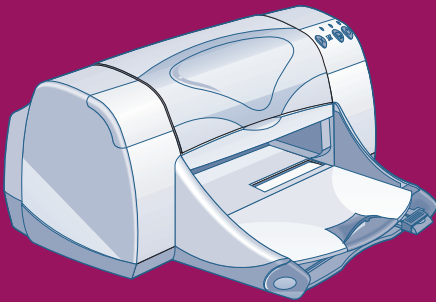


hp deskjet
990c/980c/960c



quick reference guide
Guide de référence rapide french
Guida di riferimento rapido italian
Snelle naslaggids dutch
الدليل المرجعي السريع



i n v e n t



i n v e n t

Windows
Macintosh

quick reference guide
hp deskjet 990c/980c/960c series

english

acknowledgements

Microsoft, MS-DOS, and Windows are registered trademarks of Microsoft Corporation.

Adobe and Acrobat are registered trademarks of Adobe Systems Incorporated.

Mac, Macintosh, and Mac OS are trademarks of Apple Computer, Inc., registered in the U.S. and other countries.

notice

The information contained in this document is subject to change without notice.

Hewlett-Packard makes no warranty of any kind with regard to this material, including, but not limited to, the implied warranties of merchantability and fitness for a particular purpose.

Hewlett-Packard will not be liable for errors contained herein or for incidental or consequential damages in connection with the furnishing, performance, or use of this material.

No part of this document may be photocopied, reproduced, or translated to another language without the prior written consent of Hewlett-Packard Company.

terms and conventions

The following terms and conventions are used in the *quick reference guide*:

terms

The HP Deskjet 990c, 980c, and 960c series printers may be referred to as **HP Deskjet 9xx** or **HP Deskjet**.

symbols

The > symbol guides you through a series of software steps. For example:

Click **Start > Programs > hp deskjet 9xx series > Release Notes** to view the Release Notes.

cautions

A **Caution** indicates possible damage to the HP Deskjet printer or to other equipment.

For example:

Caution! Do not touch the print cartridge ink nozzles or copper contacts. Touching these parts will result in clogs, ink failure, and bad electrical connections.

quick reference guide

hp deskjet 990c/980c/960c series

table of contents

introducing the hp deskjet printer	1
print cartridges	2
printer cables	2
software updates	2
finding information	3
viewing quick help	4
Windows 95, 98, Me, 2000, and NT 4.0 users	4
Macintosh users	5
viewing printer information in Windows 3.1x and DOS	6
Windows 3.1x users	6
DOS users	6
contacting hp customer care	7
hp's support process	7
hp customer care e-support	7
hp customer care by phone	9
obtaining hp customer care repair	11
obtaining a warranty extension	11
solving Windows installation problems	12
limited warranty statement	17
environmental statement	19
index	20
regulatory notices	inside back cover

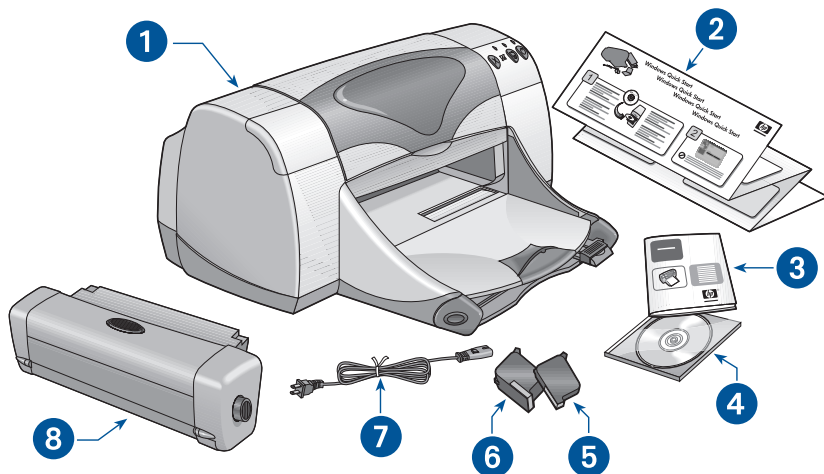
introducing the hp deskjet printer

what's in the box

Thank you for buying an HP Deskjet printer! Your printer box contains the following items:

- HP Deskjet printer (990c series, 980c series, or 960c series)
- Automatic two-sided printing module (may not be available in all printer models)
- Power cord
- Printer software CD
- *quick reference guide*
- *quick start poster*
- Black print cartridge
- Tri-color print cartridge

If any of these items is missing from your box, talk to your HP dealer or contact HP customer care. See "contacting hp customer care" for more information.



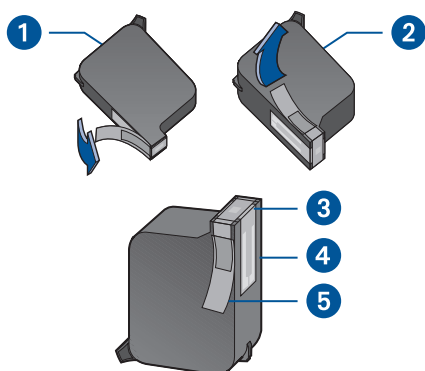
1. printer 2. *quick start poster* 3. *quick reference guide* 4. printer software 5. black print cartridge 6. tri-color print cartridge 7. power cord 8. automatic two-sided printing module (not available in all printer models)

print cartridges

The HP Deskjet printer box includes both a black and a color print cartridge. Each print cartridge box, and the electronic *quick help* manual, contain installation instructions.

When you replace a print cartridge, verify that you have the correct part number:

- Black—hp 45 (hp 516**45a**)
- Tri-color—hp 78 (hp c65**78d**)
- Large Tri-color—hp 78 (hp c65**78a**)



1. black print cartridge 2. tri-color print cartridge 3. ink nozzles 4. copper contacts 5. protective vinyl tape

Caution! When you replace a print cartridge, do not touch the print cartridge ink nozzles or copper contacts. Touching these parts will result in clogs, ink failure, and bad electrical connections. In addition, do not remove the copper strips. They are required electrical contacts.

printer cables

A printer cable is not included in the box. Purchase one of the following cables to connect the printer to your computer:

- An IEEE 1284-compliant parallel interface cable which is used with all Windows systems
- A USB-compliant interface cable which is used with both Macintosh systems and Windows 98, Me, and 2000 systems

software updates







Printer software, also called the printer driver, communicates your print requests to the printer. Use either of the following methods to obtain copies and updates of the printer software:

- Download the printer software from HP's Website.
- Phone HP customer care to request a CD containing the software update files.

See "contacting hp customer care" for customer care telephone numbers and Website addresses.

finding information

Several documents are included with the HP Deskjet printer. They provide instructions on how to install the printer software, operate the printer, and find help when you need it. The following chart indicates where to find specific types of information.

for information about...	see...	platform
Setting up the printer and installing the printer software	 <i>quick start poster</i>	Windows (all versions) and Macintosh
Printer features, specifications, maintenance, printer cartridges, how to print, and printer problem solving	 <i>quick help</i> (See "viewing <i>quick help</i> " for information) <i>User's Guide</i> (See "viewing printer information in Windows 3.1x and DOS" for information)	Windows (all versions) and Macintosh
Printer box contents, HP customer care, warranty information, and installation problem solving	 <i>quick reference guide</i>	Windows (all versions) and Macintosh
Connecting the printer to a network	 HP's <i>Windows network guide</i>	Windows (all versions except 3.1)
Hardware and software compatibility with the printer	 <i>hp deskjet release notes</i> Click Start > Programs > hp deskjet 9xx series > release notes	Windows (all versions except 3.1)
Onscreen options in the printer software	 <i>What's This</i> help (Windows) Click the right mouse button in the relevant screen. Bubble help (Macintosh) Click the mouse button in the relevant screen.	Windows (all versions except 3.1) and Macintosh

viewing quick help

The electronic manual, *quick help*, offers instructions for using the HP Deskjet printer. Information is also provided to help you solve printer problems that may occur.

Windows 95, 98, Me, 2000, and NT 4.0 users

Open *quick help* through the hp printer assistant, a tool that also provides:

- Support through HP's customer care
- Printing ideas
- Shopping links to other HP products
- Links to printer software updates

A printer assistant icon is displayed on the Windows desktop after you install the printer software.

accessing *quick help*

To view *quick help*:

1. Double-click the **hp printer assistant** icon on your computer desktop.



990c printer assistant

The hp printer assistant appears.

2. Click the **quick help** button to display the manual's topics.

You can also open *quick help* from the Start menu by clicking **Start > Programs > hp deskjet 9xx series > 9xx printer assistant > quick help**.

Adobe Acrobat versions of *quick help*

The *quick help* manual is also available in the following languages:

- Arabic
- Bahasa Indonesia
- Bulgarian
- Croatian
- Estonian
- Greek
- Hebrew
- Kazak
- Lithuanian
- Romanian
- Slovak
- Slovene
- Turkish

If you want to view the manual in one of these languages:

1. Double-click the **hp printer assistant** icon on your computer desktop.
2. Click the **quick help** button in the hp printer assistant screen.
3. Select **quick help is available in other languages** at the bottom of the *quick help* screen.
4. Insert the printer software CD into the computer's CD-ROM drive.
5. Select your language from the list that appears.
 - If Acrobat Reader is installed on your computer, *quick help* is displayed.
 - If Acrobat Reader is not installed on your computer, it installs automatically. *quick help* is then displayed.

Macintosh users

On Macintosh computers, Adobe Acrobat Reader is required to view the *quick help* manual. If you do not have Acrobat Reader, install it from the printer software CD.

To open *quick help*:

1. Insert the printer software CD into the computer's CD-ROM drive.
The hp deskjet screen is displayed.
2. Select the **User Manual** folder for your language.
3. Do one of the following:
 - Double-click the **Electronic User Manual** icon if Acrobat Reader is installed on your computer.



Electronic User Manual

- Double-click the **Acrobat Reader 4.0** icon if Acrobat Reader is not installed on your computer.



Acrobat Reader 4.0

Adobe Acrobat Reader installs automatically. After it is installed, double-click the **Electronic User Manual** icon to display *quick help*.

viewing printer information in Windows 3.1x and DOS

Windows 3.1x users

In Windows 3.1x systems, information about operating the printer is located in an electronic *User's Guide*. This option is available only with HP Deskjet 990c series printers.

You need Adobe Acrobat Reader to view the *User's Guide*. If you do not have Acrobat Reader, install it from the printer software CD when you view the guide for the first time.

To open the *User's Guide*:

1. Insert the printer software CD into the computer's CD-ROM drive.
2. Select **File > Run** in the Program Manager.
3. Type **d:\setup.exe**.
Substitute the letter of your CD-ROM drive for "d" if necessary.
4. Click **OK**.

The hp deskjet screen is displayed.

5. Select **View User's Guide**.
 - If Acrobat Reader is installed on your computer, the *User's Guide* is displayed.
 - If Acrobat Reader is not installed on your computer, follow the onscreen installation instructions. Once Acrobat Reader is installed, select **View User's Guide** to display the manual.

DOS users

In DOS operating systems, information about the HP Deskjet printer is found in a text document called *dosread.txt*. This file is located on the printer software CD in the `\<language code>\djcp\` directory. For `<language code>` substitute the relevant code from the list below. To read the file in English, for example, open *dosread.txt* in the `\enu\djcp` directory.

for this language...	use this code...
Bahasa Indonesia	bin
Bulgaria	bul
Chinese, Simplified	chs
Chinese, Traditional	cht
Czech	csy
Danish	dan
German	deu
English	enu
Spanish	esm
Finnish	fin
French	fra
Hungarian	hun
Italian	ita
Japanese	jpn
Korean	kor
Kazakh	kzh
Dutch	nld
Norwegian	non
Polish	plk
Portuguese	ptb
Russian	rus
Swedish	svc
Thai	tha

contacting hp customer care

HP customer care's service and support provides expert advice on using your HP Deskjet printer or solving problems with your printer. There are several ways to obtain assistance—what you need, when you need it!

hp's support process

HP customer care's support process works most effectively if you look for help in the following order:

1. Use *quick help*.
See "viewing *quick help*" for more information.
2. Access HP customer care e-support.
Use your Internet connection any time of the day to:
 - Check HP's Web support pages for product help
 - Read the HP user community forum messages or post a question
 - Send HP an email messageSee "hp customer care e-support" for more information.
3. Contact HP customer care by phone during hours of operation.
See "hp customer care by phone" for more information.

Note Support options and availability vary by product, country/region, and language.

hp customer care e-support

HP customer care e-support offers online support for as long as you own your HP printer. Get instant access to support information, helpful printing tips and the latest updates for your printer software (also referred to as the printer driver)—24 hours a day, seven days a week, all at no cost to you.

hp support Websites

If you have a modem connected to your computer and subscribe to an Internet Service Provider or have direct access to the Internet, you can obtain a wide variety of information about your printer. Check the Websites shown in the chart on the next page.

If the country or language you need is not listed in the chart, access HP customer care online at www.hp.com/apcpo-support/regional.html to see if a Website in your language is available.

for this language...	use this Website...
English	http://www.hp.com/go/support
French	http://www.hp.com/cposupport/fr
German	http://www.hp.com/cposupport/de
Japanese	http://www.jpn.hp.com/CPO_TC/eschome.htm
Korean	http://www.hp.co.kr/go/support
Portuguese	http://www.hp.com/cposupport/pt
Simplified Chinese	http://www.hp.com.cn/go/support
Spanish	http://www.hp.com/cposupport/es
Swedish	http://www.hp.com/cposupport/sv
Traditional Chinese	http://taiwan.support.hp.com

Link to HP user community forums and HP customer care email from the HP customer care Website. Log on to the Website then select printer options appropriate for your printer. When the hp customer care screen appears, click **Connect with HP**.

hp user community forums

HP's customer care online user community forums let you read through the questions and answers left by other HP users to find a solution to your support question. You can also post your own question, then visit the site later for ideas and suggestions from knowledgeable users or forum moderators.

hp customer care email

One-to-one email gives direct answers to your questions from an HP customer care service technician. Enter your question on a Web form and receive an email reply. (Responses are normally provided within 48 hours, excluding holidays.) Email support is a great way to ask technical questions or obtain an answer that is tailored to your specific system.

hp customer care by phone

HP provides telephone support free of charge during the printer's phone support period. (Standard phone company charges do apply, however.) The list below shows the phone support period for your region.

free phone support period

region	phone support*
North America— Including Canada	1 year
Asia Pacific	1 year
Europe	30 days
Latin America	1 year

* *Standard phone company charges apply.*

before placing a call

Before placing a call for help, try these other free support options:

- *quick help*
- *quick start poster*
- HP customer care e-support

If you cannot solve the problem using these resources, call an HP customer care service technician while you are in front of your computer and printer. For faster service, please be prepared to provide information about the steps you have taken to solve the problem.

In addition, HP needs the following information to assist you:

- The printer's model number (the label is on the front of the printer)
- The printer's serial number (the label is on the bottom of the printer)
- The computer's operating system
- The version of the printer driver (also referred to as the printer software)
- Messages displayed around the time the situation occurred
- Answers to these questions:
 - Has this situation happened before? Can you re-create it?
 - When did this happen? Did you add any new hardware or software around the time this situation began?

support phone numbers

If you need help solving a problem, contact HP customer care using one of the phone numbers in the table on the right. If the phone number for your region is not listed, please refer to HP's Website at www.hp.com/cpso-support/guide/psd/cscinfo.htm.

after the free phone support period

After the free phone support period, you can still get help from HP for a fee. Prices are subject to change without notice.

(However, HP customer care e-support is always available at no cost! See "hp customer care e-support" for more information.)

- For calls in the United States that may last less than 10 minutes, call (900) 555-1500. The charge is US\$2.50 per minute, starting from the time you connect to a service technician. Charges will not exceed US\$25.
- For calls in the United States that may last longer than ten minutes or calls from Canada, call (800) 999-1148. The fee is US\$25 per call, charged to your Visa or MasterCard.

If HP determines during the call that your printer needs to be repaired and the printer is covered under the limited warranty, you will not be charged for the phone support service.

for this region...	use this phone number...
Argentina	+54 0810 555 5520
Australia	+61 3 8877 8000
Austria	+43 (0) 810 00 6080
Belgium (Dutch)	+32 (0) 2 626 88 06
Belgium (French)	+32 (0) 2 626 88 07
Brazil, inside Greater Sao Paulo	+55 3747 7799
Brazil, outside Greater Sao Paulo	+55 0800 15 7751
Canada	1 (905) 206 4663
Chile	+56 800 36 0999
China	+86 (0) 10 6564 5959
Czech Republic	+42 02 6130 7310
Denmark	+45 (0) 39 29 4099
English International	+44 (0) 207 512 5202
Finland	+358 (0) 203 4 7 288
France	+33 (0) 1 43 62 34 34
Germany	+49 (0) 180 52 58 143
Greece	+30 (0) 1 619 64 11
Hong Kong	+852 (800) 96 7729
Hungary	+36 (0) 1382 1111
India	+91 11 682 60 35
Indonesia	+62 (21) 350 3408
Ireland	+353 (0) 1662 5525
Israel	+972 (0) 9 9524848
Italy	+39 (0) 2 264 10350
Japan	+81 (0) 3 3335 8333
Korea	+82 (2) 3270 0700
Korea, outside Seoul	+82 080 999 0700
Malaysia	+60 (3) 2952566
Malaysia, Penang	+60 1 300 88 00 28

for this region...	use this phone number...
Mexico	01 800 472 6684
Middle East, Dubai	+971 4 883 8454
Netherlands	+31 (0) 20 606 8751
New Zealand	+64 (9) 356 6640
Norway	+47 22 116299
Philippines	+66 (2) 867 3551
Poland	+48 22 519 06 00
Portugal	+351 21 317 6333
Republic of South Africa, inside RSA	+27 086 000 1030
Republic of South Africa, outside RSA	+27 11 258 9301
Russia, Moscow	+7 095 797 3520
Russia, St. Petersburg	+7 812 346 7997
Singapore	+65 272 5300
Spain	+34 9 02321 123
Sweden	+46 (0) 8 6192170
Switzerland	+41 (0) 84 8801111
Taiwan	+886 2 2717 0055
Thailand	+66 (2) 661 4000
Turkey	+90 (0) 212 221 6969
United Kingdom	+44 (0) 207 512 5202
U.S.	1 (208) 344 4131
Venezuela	+ 58 800 47 888
Vietnam	+84 (0) 8 823 4530

obtaining hp customer care repair

If your HP printer needs repairing, call HP customer care phone support. (See HP's support phone numbers on the previous page.) A trained HP customer care service technician will diagnose the problem and coordinate the repair process.

Customer care will direct you to the best solution, whether it is an authorized service provider or an HP facility. This service is free during your printer's limited warranty period. After the warranty period, you will be quoted a repair cost.

obtaining a warranty extension

If you would like to extend your warranty coverage beyond the limited warranty period, the following options are available:

- Consult your reseller to get extended coverage. To find HP resellers in the U.S., visit HP's service locator at www.hp.com/service_locator.
- If your reseller does not offer service contracts, call HP directly and ask about our HP service agreements. In the U.S. call (800) 446-0522; in Canada call (800) 268-1221. For HP service agreements outside of the U.S. and Canada, contact your local HP sales office.

solving Windows installation problems

View the information in this section if you have problems setting up your printer. If you need help after the printer is set up, see the *quick help* electronic manual.

what is the problem?

I inserted the installation CD, but the computer could not read it.



possible causes...

- The CD is not properly inserted in the CD-ROM drive
- The CD is damaged
- The CD-ROM is damaged



to solve the problem...

Reinsert the CD into the CD-ROM drive. Be careful to position the CD correctly. If installation does not begin after a few seconds, either the CD or CD-ROM drive may be damaged.



Insert a different CD in the CD-ROM drive. If another CD works, you may have a damaged CD. If you are not able to play any CD, you may need to replace or repair your CD-ROM drive.



Replace the damaged CD by downloading the printer software (also known as the printer driver) from the HP Website. If you do not have Web access, contact HP customer care to order the software on CD. For the phone number of the HP customer care center nearest to you, see "contacting hp customer care".

what is the problem?

The printer software did not install correctly.



possible causes...

- There may be a conflict with your virus protection program
- There may be a conflict with another software program
- There may be a conflict with a peripheral device connected to your printer



to solve the problem...

Uninstall your printer software.



For Windows 95, 98, Me, NT 4.0, and 2000:

1. Click **Start > Programs > hp deskjet 9xx series > hp deskjet 9xx series uninstall**.
2. Follow the directions that appear on your computer screen.



For Windows 3.1x:

1. Open the **hp deskjet 9xx series** program group.
2. Double-click the hp deskjet 9xx series **Uninstall** icon.
3. Follow the instructions that appear on your computer screen.



- Close any software programs (including virus protection programs) that are running.
- Disconnect any peripheral devices that use a parallel printer cable (such as a scanner or tape backup system).



Reinstall the printer software. See the *quick start* poster.



If you are still having problems with the software installation, contact HP customer care. See "contacting hp customer care".

what is the problem?

When I connect a USB cable between the printer and my computer, the New Hardware Wizard does not appear.

possible causes...

You may not be using Windows 98, Me, or 2000.

Your USB cable may not be connected properly.

Your computer may not be USB enabled.

to solve the problem...

Make sure Windows 98, Me, or 2000 is running. If you do not have Windows 98, Me, or 2000, you need to use a parallel cable.

1. Disconnect and then reconnect the USB cable from your printer.
2. Make sure that the cable is securely attached.

In Windows 98, Me, or 2000:

1. Click **Start > Settings > Control Panel**.
2. Double-click the **System** icon.
3. Select the **Device Manager** tab.
4. Click the plus (+) icon next to the Universal Serial Bus Controller option.
 - If you see a USB host controller and a USB root hub listed, USB is probably enabled.
 - If you do not see these devices listed, refer to your computer's documentation or contact the computer's manufacturer for more information on enabling and setting up USB.
5. Use a parallel cable to connect the printer to your computer if you cannot enable USB.

what is the problem?

When I connect a USB cable between the printer and my computer, an "Unknown Device" message appears.



possible causes...

- Static electricity has built up in the cable between the printer and your computer
- You may have a defective USB cable



to solve the problem...

1. Disconnect the USB cable from the printer.
2. Unplug the printer from its power cord.
3. Wait approximately 30 seconds.
4. Plug the printer cord into the printer.
5. Plug the USB cable into the printer.
6. Replace the USB cable or use a parallel cable if "Unknown Device" continues to appear in the New Hardware Found dialog box.

what is the problem?

When I insert the printer software CD and the files start to copy, the Copying Files... screen says that file **hpzuci01.dll** cannot be found.



possible causes...

All the following conditions are present:

- You are using a USB cable to connect the printer to your computer
- You are using Windows 98
- You are connecting more than one device at the same time



to solve the problem...

1. Click **Browse**.
The Open screen is displayed.
2. Select the following path to locate the *hpzuci01.dll* file: **c:\Program Files\Hewlett-Packard\hpz\ glue**.
3. Click **OK**.
The Copying Files... screen reappears with the correct path and file name inserted in the Copy files from... field.
4. Click **OK**.
5. Select **Install hp deskjet 9xx series printer software**.
The hp deskjet 9xx installer screen appears.
6. Click **Next**, then follow the onscreen instructions to complete installation.

limited warranty statement

region	software	print cartridges	printer
North America (including Canada)	90 days	90 days	1 year
Asia Pacific	90 days	90 days	1 year
Europe	90 days	90 days	1 year
Latin America	90 days	90 days	1 year

A. extent of limited warranty

1. Hewlett-Packard (HP) warrants to the end-user customer that the HP products specified above will be free from defects in materials and workmanship for the duration specified above, which duration begins on the date of purchase by the customer. Customer is responsible for maintaining proof of date of purchase.
2. For software products, HP's limited warranty applies only to a failure to execute programming instructions. HP does not warrant that the operation of any product will be uninterrupted or error free.
3. HP's limited warranty covers only those defects which arise as a result of normal use of the product, and do not apply to any:
 - a. Improper or inadequate maintenance or modification;
 - b. Software, interfacing, media, parts, or supplies not provided or supported by HP; or
 - c. Operation outside the product's specifications.
4. For HP printer products, the use of a non-HP ink cartridge or a refilled ink cartridge does not affect either the warranty to the customer or any HP support contract with the customer. However, if printer failure or damage is attributable to the use of a non-HP or refilled ink cartridge, HP will charge its standard time and materials charges to service the printer for the particular failure or damage.
5. If HP receives, during the applicable warranty period, notice of a defect in any software, media, or ink cartridge covered by HP's warranty, HP shall replace the defective product. If HP receives notice of a defect in any hardware product covered by HP's warranty during the applicable warranty period, HP shall either repair or replace the defective product at HP's option.
6. If HP is unable to repair or replace, as applicable, a defective product covered by HP's warranty, HP shall, within a reasonable time after being notified of the defect, refund the purchase price of the product.
7. HP shall have no obligation to repair, replace, or refund until the customer returns the defective product to HP.
8. Any replacement product may be either new or like-new, provided that it has functionality at least equal to that of the product being replaced.
9. HP's limited warranty is valid in any country where the covered HP product is distributed by HP except for the Middle-East, Africa, Argentina, Brazil, Mexico, Venezuela, and France's "Departements D'Outre-Mer"; for those excepted areas, the warranty is valid only in the country of purchase. Contracts for additional warranty services, such as on-site service, may be available from any authorized HP service facility where the product is distributed by HP or by an authorized importer.

B. limitations of warranty

1. TO THE EXTENT ALLOWED BY LOCAL LAW, NEITHER HP NOR ITS THIRD PARTY SUPPLIERS MAKE ANY OTHER WARRANTY OR CONDITION OF ANY KIND, WHETHER EXPRESS OR IMPLIED, WITH RESPECT TO THE HP PRODUCTS, AND SPECIFICALLY DISCLAIM THE IMPLIED WARRANTIES OR CONDITIONS OF MERCHANTABILITY, SATISFACTORY QUALITY, AND FITNESS FOR A PARTICULAR PURPOSE.

C. limitations of liability

1. To the extent allowed by local law, the remedies provided in this Warranty Statement are the customer's sole and exclusive remedies.
2. TO THE EXTENT ALLOWED BY LOCAL LAW, EXCEPT FOR THE OBLIGATIONS SPECIFICALLY SET FORTH IN THIS WARRANTY STATEMENT, IN NO EVENT WILL HP OR ITS THIRD PARTY SUPPLIERS BE LIABLE FOR DIRECT, INDIRECT, SPECIAL, INCIDENTAL, OR CONSEQUENTIAL DAMAGES, WHETHER BASED ON CONTRACT, TORT, OR ANY OTHER LEGAL THEORY AND WHETHER ADVISED OF THE POSSIBILITY OF SUCH DAMAGES.

D. local law

1. This Warranty Statement gives the customer specific legal rights. The customer may also have other rights which vary from state to state in the United States, from province to province in Canada, and from country to country elsewhere in the world.
2. To the extent that this Warranty Statement is inconsistent with local law, this Warranty Statement shall be deemed modified to be consistent with such local law. Under such local law, certain disclaimers and limitations of this Warranty Statement may not apply to the customer. For example, some states in the United States, as well as some governments outside the United States (including provinces in Canada), may:
 - a. Preclude the disclaimers and limitations in this Warranty Statement from limiting the statutory rights of a consumer (e.g., the United Kingdom);

- b. Otherwise restrict the ability of a manufacturer to enforce such disclaimers or limitations; or
 - c. Grant the customer additional warranty rights, specify the duration of implied warranties which the manufacturer cannot disclaim, or not allow limitations on the duration of implied warranties.
3. FOR CONSUMER TRANSACTIONS IN AUSTRALIA AND NEW ZEALAND, THE TERMS IN THIS WARRANTY STATEMENT, EXCEPT TO THE EXTENT LAWFULLY PERMITTED, DO NOT EXCLUDE, RESTRICT, OR MODIFY, AND ARE IN ADDITION TO, THE MANDATORY STATUTORY RIGHTS APPLICABLE TO THE SALE OF HP PRODUCTS TO SUCH CUSTOMERS.

hp year 2000 warranty

Subject to all of the terms and limitations of the HP Limited Warranty Statement stated above, HP warrants that this HP Product will be able to accurately process date data (including, but not limited to, calculating, comparing, and sequencing) from, into, and between the twentieth and twenty-first centuries, and the years 1999 and 2000, including leap year calculations, when used in accordance with the Product documentation provided by HP (including any instructions for installing patches or upgrades), provided that all other products (e.g. hardware, software, firmware) used in combination with such HP Product(s) properly exchange date data with it. The duration of the Year 2000 warranty extends through January 31, 2001.

environmental statement

Hewlett-Packard continuously improves the design processes of its deskjet printers to minimize the negative impact on the office environment and on the communities where printers are manufactured, shipped, and used. Hewlett-Packard has also developed processes to minimize the negative impact of the disposal of the printer at the end of its printing life.

reduction and elimination

Paper use: The printer's automatic/manual two-sided printing capability reduces paper usage and the resulting demands on natural resources. This printer is suited for the use of recycled papers according to DIN 19 309.

Ozone: Ozone-depleting chemicals such as CFCs have been eliminated from Hewlett-Packard manufacturing processes.

recycling

Design for recycling has been incorporated into this printer. The number of materials has been kept to a minimum while ensuring proper functionality and reliability. Dissimilar materials have been designed to separate easily. Fasteners and other connections are easy to locate, access, and remove using common tools. High priority parts have been designed to access quickly for efficient disassembly and repair. Plastic parts have been primarily designed in no more than two colors to enhance recycling options. A few small parts are colored specifically to highlight customer access points.

Printer packaging: The packaging materials for this printer have been selected to provide maximum protection for the least cost possible, while attempting to minimize environmental impact and facilitate recycling. The rugged design of the HP Deskjet printer assists in minimizing both packaging materials and damage rates.

Plastic parts: All major plastics and plastic parts are marked according to international standards. All plastic parts used in the printer housing and chassis are technically recyclable and all use a single polymer.

Product longevity: To ensure the longevity of your HP Deskjet printer, HP provides the following:

- **Extended warranty:** HP SupportPack provides coverage for the HP hardware and product and all HP supplied internal components. HP SupportPack must be purchased by the customer within 30 days of purchase. Contact the nearest HP dealer about this service.
- **Spare parts and consumables** are available for five (5) years after production has stopped.
- **Product take-back:** To return this product and print cartridges to HP at the end of its useful life, call your local HP Sales or Service Office for instructions.

energy consumption

This printer was designed with energy conservation in mind. This printer averages 4 watts in stand-by mode. Not only does this save natural resources, but it also saves money without affecting the high performance of the printer.

This product qualifies for the ENERGY STAR Program (U.S. and Japan). ENERGY STAR is a voluntary program established to encourage the development of energy-efficient office products.



ENERGY STAR is a US registered service mark of the US EPA. As an ENERGY STAR partner, Hewlett-Packard Company has determined that this product meets ENERGY STAR Guidelines for energy efficiency.

Energy consumption in off-mode: When the printer is off, a minimal amount of energy is still being consumed. Energy consumption can be prevented by turning the printer power off, then disconnecting the end of the printer power cord from the electrical source.

index

A

Adobe Acrobat Reader **5, 6**
Automatic two-sided printing module **1**

B

bubble help **3**

C

cable, printer **2**
compatibility
 with other hardware **3**
 with other software **3**
contents, printer box **1**
customer care **7**

D

DOS systems **6**
driver, printer **1, 2, 3**

E

email support **8**
energy consumption **19**

F

finding printer information **3**

H

help
 after phone support period **10**
 email support **8**
 HP customer care **7**
 phone support **9, 10**
 printer repair **11**
 troubleshooting installation problems **12**
 user community forums **8**
 Web support **7**
help, onscreen **3**
HP printer assistant **4**

I

installation troubleshooting **12**

M

Macintosh bubble help **3**

N

network guide, Windows **3**

P

phone support **9, 10**
print cartridges **1, 2, 3**
printer **15**
printer box contents **1**
printer cable **2, 14, 15**
printer features **3**
printer repair **11**
printer software **1, 2, 3, 5**
printer specifications **3**
printer, connecting to network **3**
printer, setting up **3**

Q

quick help manual **3, 4, 5, 6**
quick start poster **1, 3**

R

recycling printer **19**
release notes **3**

S

service contracts **11**
software, printer **2, 3**

T

troubleshooting **12**
 computer cannot read software CD **12**
 hpzuci01.dll not found **16**
 software does not install correctly **13**
 USB installation problems **14, 15**

U

USB **14, 15**
user's guide, Windows 3.1x **3**

V

virus protection programs **13**

W

warranty extension **11, 19**
warranty, limited **17**
Websites, HP customer support **7**
Windows onscreen help **3**

regulatory notices

hewlett-packard company

This device complies with part 15 of the FCC Rules. Operation is subject to the following two conditions:

- This device may not cause harmful interference, and
- This device must accept any interference received, including interference that may cause undesired operation.
- Pursuant to Part 15.21 of the FCC Rules, any changes or modifications to this equipment not expressly approved by Hewlett-Packard Company may cause harmful interference, and void your authority to operate this equipment. Use of a shielded data cable is required to comply with the Class B limits of Part 15 of the FCC Rules.

For further information, contact:

Hewlett-Packard Company
Manager of Corporate Product Regulations
3000 Hanover Street
Palo Alto, Ca 94304
(650) 857-1501

note

This equipment has been tested and found to comply with the limits for a Class B digital device, pursuant to part 15 of the FCC rules. These limits are designed to provide reasonable protection against harmful interference in a residential installation. This equipment generates, uses, and can radiate radio frequency energy and, if not installed and used in accordance with the instructions, can cause harmful interference to radio communications. However, there is no guarantee that interference will not occur in a particular installation. If this equipment does cause harmful interference to radio or television reception, which can be determined by turning the equipment off and on, the user is encouraged to try to correct the interference by one or more of the following measures:

- Reorient or relocate the receiving antenna.
- Increase the separation between the equipment and the receiver.
- Connect the equipment into an outlet on a circuit different from that to which the receiver is connected.
- Consult the dealer or an experienced radio/TV technician for help.

LED indicator statement

The display LEDs meet the requirements of EN 60825-1.

この装置は、情報処理装置等電波障害自主規制協議会（VCCI）の基準に基づくクラスB情報技術装置です。この装置は、家庭環境で使用することを目的としていますが、この装置がラジオやテレビジョン受信機に近接して使用されると受信障害を引き起こすことがあります。

取り扱い説明書に従って正しい取り扱いをして下さい。

사용자 안내문 (B급 기기)

이 기기는 비업무용으로 전자파장애검정을 받은 기기로서, 주거지역에서는 물론 모든 지역에서 사용될 수 있습니다.



i n v e n t

Windows
Macintosh

Guide de référence rapide

hp deskjet 990c/980c/960c series

français

Première édition, octobre 2000
Copyright 2000 Hewlett-Packard Company

Marques déposées

Microsoft, MS-DOS et Windows sont des marques déposées de Microsoft Corporation.

Adobe et Acrobat sont des marques déposées d'Adobe Systems Incorporated.

Mac, Macintosh et Mac OS sont des marques commerciales d'Apple Computer, Inc., déposées aux États-Unis et dans d'autres pays.

Avertissement

Les informations contenues dans ce document peuvent faire l'objet de modifications sans préavis.

Hewlett-Packard n'offre aucune garantie concernant ce document.

Ceci s'applique aux garanties implicites d'adéquation à la vente et à une application particulière sans se limiter à celles-ci.

Hewlett-Packard ne pourra être tenu responsable des erreurs contenues dans ce document, ni des dommages fortuits ou consécutifs ayant trait à la fourniture, la qualité ou l'usage de ce dernier.

Toute reproduction, photocopie ou traduction dans une autre langue des informations contenues dans ce document est strictement interdite sans le consentement écrit d'Hewlett-Packard Company.

Termes et conventions

Les termes et conventions suivants sont utilisés dans le *guide de référence rapide* :

Termes

Les imprimantes HP Deskjet 990c, 980c et 960c series sont appelées **HP Deskjet 9xx** ou **HP Deskjet**.

Symboles

Le symbole > vous aide dans une série d'étapes logicielles. Par exemple :

Cliquez sur **Démarrer > Programmes > hp deskjet 9xx series > Informations de dernière minute** pour afficher les informations les plus récentes.

Attention

Attention indique une action qui pourrait endommager l'imprimante HP Deskjet ou un autre équipement.

Par exemple :

Attention ! Ne touchez pas aux gicleurs ni aux contacts cuivrés de la cartouche. Ceci pourrait endommager la connexion électrique ou boucher les gicleurs.

Guide de référence rapide

hp deskjet 990c/980c/960c series

Table des matières

Présentation de l'imprimante hp deskjet	1
Cartouches d'impression	2
Câbles de l'imprimante	2
Mises à jour de logiciels.	2
Recherche d'informations	3
Affichage de l'aide rapide	4
Utilisateurs de Windows 95, 98, Me, 2000 et NT 4.0	4
Utilisateurs Macintosh	5
Affichage des informations sur l'imprimante sous Windows 3.1x et DOS	6
Utilisateurs de Windows 3.1x	6
Utilisateurs du DOS	6
Service clientèle hp	7
Procédure de service hp	7
Service clientèle électronique hp	7
Service clientèle téléphonique hp.	9
Réparation par le service clientèle hp.	11
Prorogation de garantie	11
Résolution de problèmes d'installation sous Windows	12
Garantie limitée	17
Protection de l'environnement	19
Index	20
Regulatory notices	Couverture arrière intérieure

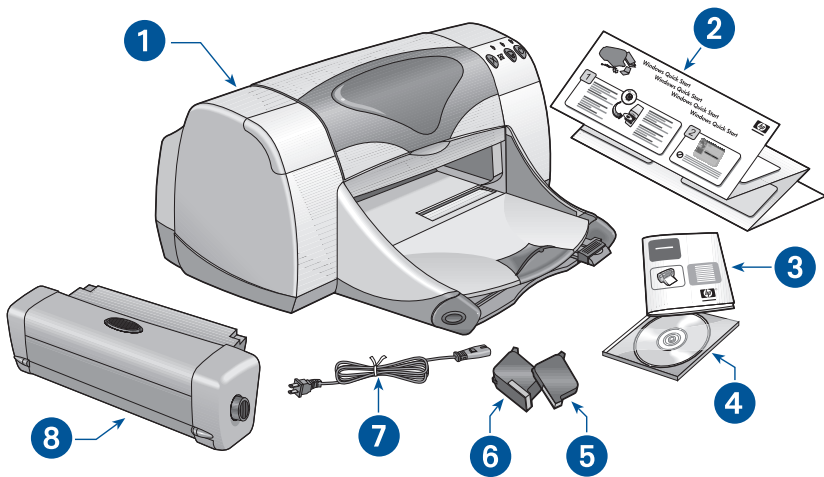
Présentation de l'imprimante hp deskjet

Composants figurant dans le carton d'origine de l'imprimante

Merci d'avoir acheté une imprimante HP Deskjet. Le carton contient les composants suivants :

- Imprimante HP Deskjet (990c series, 980c series ou 960c series)
- Module d'impression recto-verso automatique (sur certains modèles d'imprimante)
- Câble d'alimentation électrique
- CD du logiciel d'impression
- *Guide de référence rapide*
- Dépliant de *démarrage rapide*
- Cartouche d'impression noire
- Cartouche d'impression tricolore

Si l'un de ces composants est manquant, veuillez contacter votre distributeur HP ou le service clientèle HP. Reportez-vous à « Service clientèle hp » pour obtenir de plus amples informations.



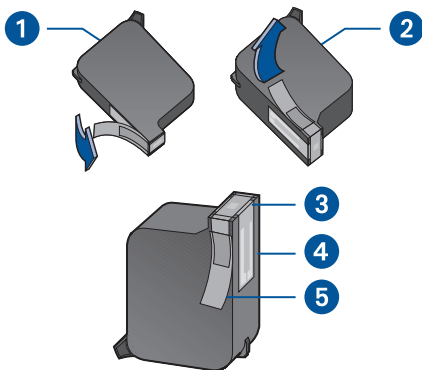
1. imprimante
2. dépliant de *démarrage rapide*
3. *guide de référence rapide*
4. logiciel d'impression
5. cartouche d'impression noire
6. cartouche d'impression tricolore
7. câble d'alimentation électrique
8. module d'impression recto-verso automatique (sur certains modèles d'imprimante)

Cartouches d'impression

Des cartouches d'impression couleur et noire sont livrées avec l'imprimante HP Deskjet. Vous pouvez trouver les instructions relatives à l'installation de ces cartouches dans leur boîte d'origine ou dans le manuel d'aide rapide électronique.

Lorsque vous remplacez une cartouche d'impression, vérifiez si la cartouche porte la référence correcte :

- Noire—hp 45 (hp 51645a)
- Tricolore—hp 78 (hp c6578d)
- Tricolore à grande capacité—hp 78 (hp c6578a)



1. cartouche d'impression noire 2. cartouche d'impression tricolore 3. gicleurs 4. contacts cuivrés 5. bande de protection en vinyle

Attention ! Pendant le changement de cartouche d'impression, ne touchez pas aux gicleurs ni aux contacts cuivrés de la cartouche. Ceci endommagerait la connexion électrique, boucherait les gicleurs et empêcherait l'arrivée de l'encre. En outre, ne retirez pas les bandes cuivrées. Elles assurent la connexion électrique pour que les cartouches puissent fonctionner normalement.

Câbles de l'imprimante

Le câble d'imprimante n'est pas livré avec l'imprimante. Achetez l'un des câbles ci-dessous pour raccorder l'imprimante à l'ordinateur :

- Un câble d'interface parallèle conforme aux normes IEEE-1284, utilisé avec tous les systèmes Windows
- Un câble d'interface parallèle conforme aux normes USB, utilisé avec les systèmes Macintosh, Windows 98, Me et 2000

Mises à jour de logiciels







Le logiciel d'impression, appelé aussi pilote d'imprimante, se charge de transmettre vos requêtes d'impression à l'imprimante. Utilisez l'une des méthodes ci-dessous pour obtenir une copie ou mise à jour du logiciel d'impression :

- Téléchargez le logiciel d'impression depuis le site Internet HP.
- Téléphonnez au service clientèle HP pour demander un CD contenant la nouvelle version du logiciel.

Reportez-vous à « Service clientèle hp » pour obtenir les numéros de téléphone à composer ou les adresses de site Internet.

Recherche d'informations

La documentation de l'imprimante HP Deskjet se divise en plusieurs parties. Elles présentent l'installation et le fonctionnement de l'imprimante ainsi que les ressources d'aide disponibles en cas de besoin. Le tableau suivant indique la partie à consulter suivant le type d'information recherchée.

Informations sur...	consultez...	plate-forme
Installation de l'imprimante et du logiciel d'impression	 Dépliant de <i>démarrage rapide</i>	Windows (toutes les versions) et Macintosh
Fonctions et spécifications de l'imprimante, entretien, cartouches d'impression, impression et résolution d'un problème lié à l'imprimante	 <i>aide rapide</i> (Reportez-vous à « Affichage de l' <i>aide rapide</i> » pour obtenir de plus amples informations) <i>Guide d'utilisation</i> (Reportez-vous à « Affichage des informations sur l'imprimante sous Windows 3.1x et DOS » pour obtenir de plus amples informations)	Windows (toutes les versions) et Macintosh
Composants figurant dans le carton d'origine de l'imprimante, Service Clientèle HP, informations sur la garantie, et résolution de problème d'installation	 <i>Guide de référence rapide</i>	Windows (toutes les versions) et Macintosh
Connexion de l'imprimante sur un réseau	 <i>Guide de réseau Windows de HP</i>	Windows (toutes les versions sauf la version 3.1 et 3.11)
Compatibilité matérielle et logicielle avec l'imprimante	 <i>Informations de dernière minute hp deskjet</i> Cliquez sur Démarrer > Programmes > hp deskjet 9xx series > Information de dernière minute	Windows (toutes les versions sauf la version 3.1)
Options affichées dans le logiciel d'impression	 L'aide <i>Qu'est-ce que c'est ? (Windows)</i> Cliquez avec le bouton droit de la souris dans l'écran pertinent. Bulles d'aide (Macintosh) Cliquez sur le bouton de la souris dans l'écran pertinent.	Windows (toutes les versions sauf la version 3.1) et Macintosh

Affichage de l'aide rapide

Le manuel électronique, *aide rapide*, présente des instructions sur l'utilisation de l'imprimante HP Deskjet. Des informations sont aussi fournies pour vous aider à résoudre d'éventuels problèmes d'imprimante.

Utilisateurs de Windows 95, 98, Me, 2000 et NT 4.0

Ouvrez l'*aide rapide* depuis l'assistant d'imprimante, qui fournit aussi :

- Une assistance auprès du service clientèle HP
- Des suggestions d'impression
- Des liens pour acheter d'autres produits HP
- Des liens pour mettre à jour le logiciel d'impression

Une icône assistant d'imprimante s'affiche sur le bureau de Windows une fois l'installation de l'imprimante terminée.

Accès à l'aide rapide

Pour ouvrir l'*aide rapide* :

1. Cliquez deux fois sur l'icône **assistant d'imprimante hp** du bureau.



assistant
d'imprimante 990c

L'assistant d'imprimante hp s'affiche à l'écran.

2. Cliquez sur le bouton **aide rapide** pour afficher les rubriques du manuel.

Vous pouvez aussi ouvrir l'*aide rapide* depuis le menu Démarrer en cliquant sur **Démarrer > Programmes > hp deskjet 9xx series > 9xx Assistant d'imprimante > aide rapide**.

Versions d'Adobe Acrobat de l'aide rapide

Le manuel d'*aide rapide* est aussi disponible dans les langues suivantes :

- Arabe
- Bulgare
- Croate
- Estonien
- Grec
- Hébreu
- Kazak
- Lithuanien
- Malais bahasa indonesia
- Roumain
- Slovaque
- Slovène
- Turc

Si vous voulez afficher le manuel dans une des langues suivantes :

1. Cliquez deux fois sur l'icône **Assistant d'imprimante hp** du bureau.
2. Cliquez sur le bouton **Aide rapide** pour afficher l'assistant d'imprimante hp.
3. Sélectionnez l'**aide rapide est disponible dans d'autres langues** dans la partie inférieure de l'écran de l'*aide rapide*.
4. Insérez le CD du logiciel d'impression dans le lecteur de CD-ROM de votre ordinateur.
5. Sélectionnez la langue sur la liste.
 - Si Acrobat Reader est installé dans votre ordinateur, l'*aide rapide* s'affiche à l'écran.
 - Si Acrobat Reader n'est pas installé dans votre ordinateur, ce logiciel s'installe automatiquement puis l'*aide rapide* s'affiche à l'écran.

Utilisateurs Macintosh

Sur un ordinateur Macintosh, Adobe Acrobat Reader est exigé pour afficher le manuel d'*aide rapide*. Si vous ne possédez pas Acrobat Reader, installez sur votre ordinateur la version se trouvant sur le CD du logiciel d'impression.

Pour ouvrir l'*aide rapide* :

1. Insérez le CD du logiciel d'impression dans le lecteur de CD-ROM de votre ordinateur.
L'écran hp deskjet s'affiche à l'écran.
2. Sélectionnez le dossier **Manuel d'utilisation** de votre langue.
3. Suivez l'une des procédures ci-dessous :
 - Cliquez deux fois sur l'icône **Manuel d'utilisation électronique** si Acrobat Reader est installé dans votre ordinateur.



Manuel d'utilisation

- Cliquez deux fois sur l'icône **Acrobat Reader 4.0** dans le cas contraire.



Acrobat Reader 4.0

Adobe Acrobat Reader s'installe automatiquement. Une fois ce logiciel installé, cliquez deux fois sur l'icône **Manuel d'utilisation électronique** pour afficher l'*aide rapide*.

Affichage des informations sur l'imprimante sous Windows 3.1x et DOS

Utilisateurs de Windows 3.1x

Sous un système Windows 3.1x, les informations sur le fonctionnement de l'imprimante se trouvent dans un *Guide d'utilisation* électronique. Cette option n'est disponible qu'avec les imprimantes HP Deskjet 990c series.

Adobe Acrobat Reader est exigé pour afficher le *Guide d'utilisation*. Si vous ne possédez pas Acrobat Reader, installez sur votre ordinateur la version se trouvant sur le CD du logiciel d'impression avant d'afficher le guide pour la première fois.

Pour ouvrir le *Guide d'utilisation*:

1. Insérez le CD du logiciel d'impression dans le lecteur de CD-ROM de votre ordinateur.
2. Sélectionnez **Fichier > Exécuter** dans le Gestionnaire de programmes.
3. Tapez **d:\setup.exe**.
Remplacez, au besoin, la lettre attribuée au lecteur de CD-ROM par une autre.
4. Cliquez sur **OK**.
L'écran hp deskjet s'affiche à l'écran.
5. Sélectionnez **Afficher le guide d'utilisation**.
 - Si Acrobat Reader est installé dans votre ordinateur, le *Guide d'utilisation* s'affiche à l'écran.
 - Si Acrobat Reader n'est pas installé dans votre ordinateur, suivez les instructions d'installation affichées à l'écran. Une fois Acrobat Reader installé, sélectionnez **Afficher Guide d'utilisation** pour afficher le manuel.

Utilisateurs du DOS

Sous les systèmes d'exploitation DOS, les informations sur l'imprimante HP Deskjet sont présentées dans le fichier texte *dosread.txt*. Ce fichier se trouve sur le CD du logiciel d'impression dans le répertoire `\<code linguistique>\djcp\`. Remplacez le `<code linguistique>` par le code à utiliser d'après la liste ci-dessous. Pour lire, par exemple, le fichier anglais, ouvrez le fichier *dosread.txt* qui se trouve dans le répertoire `\enu\djcp`.

Langue...	Code...
Malais bahasa indonesia	bin
Bulgare	bul
Chinois (simplifié)	chs
Chinois (traditionnel)	cht
Tchèque	csy
Danois	dan
Allemand	deu
Anglais	enu
Espagnol	esm
Finois	fin
Français	fra
Hongrois	hun
Italien	ita
Japonais	jpn
Coréen	kor
Kazakh	kzh
Néerlandais	nld
Norvégien	non
Polonais	plk
Portugais	ptb
Russe	rus
Suédois	svc
Thaï	tha

Service clientèle hp

Le service clientèle HP fournit des conseils d'expertise sur l'utilisation de l'imprimante HP Deskjet ou sur la résolution de problèmes liés à l'imprimante. Il y a plusieurs moyens d'obtenir de l'aide — vraiment utile et au moment souhaité !

Procédure de service hp

Pour tirer le meilleur parti du service clientèle HP, recherchez de l'aide dans l'ordre suivant :

1. Utilisez l'aide rapide.

Reportez-vous à « Affichage de l'aide rapide » pour obtenir de plus amples informations.

2. Accédez au service clientèle HP électronique.

Vous pouvez à toute heure :

- Consulter en ligne l'aide au produit proposée aux pages du service clientèle HP
- Lire les messages publiés au cours des conférences d'utilisateurs HP ou poser une question
- Envoyer un message électronique à HP

Reportez-vous à « Service clientèle électronique hp » pour obtenir de plus amples informations.

3. Téléphoner au service clientèle hp pendant les heures de bureau.

Reportez-vous à « Service clientèle téléphonique hp » pour obtenir de plus amples informations.

Remarque les services disponibles varient suivant les produits, les pays ou régions, et la langue.

Service clientèle électronique hp

Ce service d'aide en ligne sera disponible pendant toute la durée d'utilisation de votre imprimante HP. Instantanément, vous aurez accès gratuitement à toutes sortes d'informations allant des astuces d'impression aux mises à jour du logiciel d'impression (appelé aussi pilote d'imprimante) — 24 h sur 24, 7 jours sur 7.

Sites Internet du service hp

Si votre ordinateur est muni d'un modem et si vous avez accès à l'Internet directement ou par l'intermédiaire d'un FAI, vous pourrez entrer en contact avec de nombreux services regorgeant d'informations diverses sur votre imprimante : le tableau à la page suivante vous présente les sites.

Si votre pays ou langue ne figure pas sur le tableau, visitez le service clientèle HP à l'adresse www.hp.com/apcpo-support/regional.html pour connaître si un site dans votre langue est disponible.

Langue...	Site...
Allemand	http://www.hp.com/cposupport/de
Anglais	http://www.hp.com/go/support
Chinois simplifié	http://www.hp.com.cn/go/support
Chinois traditionnel	http://taiwan.support.hp.com
Coréen	http://www.hp.co.kr/go/support
Espagnol	http://www.hp.com/cposupport/es
Français	http://www.hp.com/cposupport/fr
Japonais	http://www.jpn.hp.com/CPO_TC/eschome.htm
Portugais	http://www.hp.com/cposupport/pt
Suédois	http://www.hp.com/cposupport/sv

Vous pouvez vous joindre à des conférences d'utilisateurs et au service clientèle hp par courrier électronique. Visitez le site, puis sélectionnez les options d'imprimante appropriées pour votre imprimante. Lorsque l'écran du service clientèle hp s'affiche à l'écran, cliquez sur **Contactez HP**.

Conférences d'utilisateurs hp

Les conférences d'utilisateur en ligne du service clientèle HP mettent à votre disposition toutes les questions, souvent accompagnées de réponses, posées par d'autres utilisateurs HP pour trouver une solution à votre question. Vous pouvez aussi poser vos questions et vérifier plus tard sur le site les idées et suggestions apportées par d'autres utilisateurs et opérateurs de système.

Service clientèle hp par courrier électronique

Un courrier personnel envoyé directement à l'un de nos techniciens du service clientèle HP, qui se chargera de répondre à vos questions. Posez la question en remplissant le formulaire en ligne, puis attendez la réponse qui sera envoyée par courrier électronique. On vous répondra dans un délai de 48 heures à compter de la réception (sans compter les jours fériés). Le service par courrier électronique est une méthode efficace de poser des questions techniques ou de recevoir des réponses qui correspondent exactement à votre configuration système.

Service clientèle téléphonique hp

Ce service est gratuit durant la période d'assistance téléphonique de votre imprimante. (Néanmoins, le coût de la communication est à votre charge.) La période d'assistance téléphonique est indiquée par région.

Période d'assistance téléphonique gratuite

région	assistance téléphonique*
Amérique du Nord— Y compris le Canada	1 an
Asie, Pacifique	1 an
Europe	30 jours
Amérique Latine	1 an

* Néanmoins, le coût de la communication est à votre charge.

Avant de téléphoner

Avant de contacter l'un de nos techniciens, vous devez auparavant consulter les options d'assistance gratuites suivantes :

- Aide rapide
- Dépliant de démarrage rapide
- Service clientèle HP électronique

Si vous n'arrivez pas à résoudre votre problème par les méthodes énoncées ci-dessus, appelez alors un technicien du service clientèle HP en restant devant l'ordinateur et l'imprimante. Pour un service plus rapide, préparez-vous à indiquer les mesures prises pour résoudre le problème.

En outre, HP aura besoin des informations suivantes :

- Le modèle de l'imprimante (se trouvant à l'avant de celle-ci)
- Le numéro de série de l'imprimante (se trouvant au-dessous de celle-ci)
- Le système d'exploitation de l'ordinateur
- La version du pilote d'imprimante (appelé aussi logiciel d'impression)
- Les messages affichés au moment du problème
- Répondre aux questions suivantes :
 - Est-ce que cela s'est déjà produit ?
Pouvez-vous recréer cette situation ?
 - Quand cela est-il arrivé ? Avez-vous ajouté du matériel ou un logiciel au moment où le problème est apparu ?

Numéros de téléphone du service

Si vous avez besoin d'aide pour résoudre un problème, contactez le service clientèle HP en composant l'un des numéros de téléphone du tableau présenté à droite. Si aucun numéro de téléphone pour votre région ne figure au tableau, veuillez visiter le site Internet HP à l'adresse www.hp.com/cpsosupport/guide/psd/cscinfo.htm.

Une fois la période d'assistance téléphonique gratuite venue à expiration

vous pouvez toujours obtenir une aide payante auprès d'HP. Les prix sont sujets à modification sans préavis.

(Néanmoins, l'assistance du service clientèle HP électronique est toujours disponible gratuitement ! Reportez-vous à « service clientèle hp électronique » pour obtenir de plus amples informations).

- Si vous avez de brèves questions (appel de moins de 10 minutes), vous pouvez composer le (900) 555-1500 à partir des Etats-Unis. Il vous sera facturé 2,50 dollars par minute dès le moment où vous entrez en contact avec l'un de nos techniciens. Le montant facturé ne dépassera pas 25 dollars américains.
- Pour les appels des Etats-Unis d'une durée supérieure à 10 minutes ou en provenance du Canada, composez le (800) 999-1148. Il vous sera facturé 25 dollars américains sur votre carte de crédit Visa ou MasterCard.

Si le technicien d'HP estime la réparation de l'imprimante nécessaire sous la garantie, aucun frais ne sera porté à votre charge pour l'assistance téléphonique.

Région...	Composez ce numéro de téléphone...
Allemagne	+49 (0) 180 52 58 143
Anglais International	+44 (0) 207 512 5202
Argentine	+54 0810 555 5520
Australie	+61 3 8877 8000
Autriche	+43 (0) 810 00 6080
Belgique (français)	+32 (0) 2 626 88 07
Belgique (néerlandais)	+32 (0) 2 626 88 06
Brésil, dans l'agglomération de São Paulo	+55 3747 7799
Brésil, hors de l'agglomération de São Paulo	+55 0800 15 7751
Canada	1 (905) 206 4663
Chili	+56 800 36 0999
Chine	+86 (0) 10 6564 5959
Corée	+82 (2) 3270 0700
Corée en dehors de Séoul	+82 080 999 0700
Danemark	+45 (0) 39 29 4099
Espagne	+34 9 02321 123
Etats-Unis	1 (208) 344 4131
Finlande	+358 (0) 203 4 7 288
France	+33 (0) 1 43 62 34 34
Grèce	+30 (0) 1 619 64 11
Hong-kong	+852 (800) 96 7729
Hongrie	+36 (0) 1382 1111
Inde	+91 11 682 60 35
Indonésie	+62 (21) 350 3408
Irlande	+353 (0) 1662 5525
Israël	+972 (0) 9 9524848
Italie	+39 (0) 2 264 10350
Japon	+81 (0) 3 3335 8333
Malaisie	+60 (3) 2952566

Région...	Composez ce numéro de téléphone...
Malaisie Penang	+60 1 300 88 00 28
Mexique	01 800 472 6684
Moyen-Orient et Dubai	+971 4 883 8454
Norvège	+47 22 116299
Nouvelle-Zélande	+64 (9) 356 6640
Pays-Bas	+31 (0) 20 606 8751
Philippines	+66 (2) 867 3551
Pologne	+48 22 519 06 00
Portugal	+351 21 317 6333
République d'Afrique du Sud, dans la RAS	+27 086 000 1030
République d'Afrique du Sud, en dehors de la RAS	+27 11 258 9301
République tchèque	+42 02 6130 7310
Royaume-Uni	+44 (0) 207 512 5202
Russie, Moscou	+7 095 797 3520
Russie, Saint-Pétersbourg	+7 812 346 7997
Singapour	+65 272 5300
Suède	+46 (0) 8 6192170
Suisse	+41 (0) 84 8801111
Taiwan	+886 2 2717 0055
Thaïlande	+66 (2) 661 4000
Turquie	+90 (0) 212 221 6969
Venezuela	+ 58 800 47 888
Vietnam	+84 (0) 8 823 4530

Réparation par le service clientèle hp

Si l'imprimante HP a besoin d'être réparée, appelez le service clientèle HP téléphonique. (Reportez-vous à la page précédente pour obtenir la liste des numéros de téléphone à composer.) Un technicien du Service spécialisé diagnostiquera le problème et vous guidera dans la procédure de réparation.

Le service clientèle vous orientera vers la meilleure solution, que ce soit un fournisseur agréé ou un centre HP. Ce service est gratuit pendant la période de garantie limitée de votre imprimante. Hors garantie, on vous proposera un devis de réparation.

Prorogation de garantie

Si vous désirez prolonger la période de garantie limitée de votre imprimante, vous pouvez :

- Contacter votre distributeur. Pour trouver les distributeurs HP aux E.U.A., utilisez le centre de recherche (Locator) à l'adresse www.hp.com/service_.
- Si votre distributeur ne propose pas de contrats de garantie, contactez directement Hewlett-Packard et renseignez-vous sur nos contrats de service HP. Si vous appelez des Etats-Unis, composez le (800) 446-0522, du Canada, composez le (800) 268-1221. Si vous habitez dans un autre pays, contactez le bureau de vente HP le plus proche.

Résolution de problèmes d'installation sous Windows

Reportez-vous aux informations figurant dans cette section en cas de problèmes liés à l'installation de l'imprimante. Si vous avez besoin d'aide une fois l'imprimante correctement installée, reportez-vous au manuel d'aide rapide électronique.

Quel est le problème ?

J'ai inséré le CD d'installation mais l'ordinateur n'a pas pu le lire.

Raisons possibles

- Le CD n'est pas correctement placé dans le lecteur de CD-ROM
- Le CD est endommagé
- Le CD-ROM est endommagé

Pour résoudre le problème...

Insérez de nouveau le CD-ROM dans le lecteur de l'ordinateur. Vérifiez la position correcte du CD.

Si l'installation ne se lance pas après quelques secondes, le CD ou le lecteur de CD-ROM peut être défectueux.

Insérez un autre CD-ROM dans le lecteur de votre ordinateur.
Si l'autre CD fonctionne correctement, le CD du logiciel d'impression est peut-être endommagé. Dans le cas contraire, vous pouvez être obligé de réparer ou remplacer le lecteur de CD-ROM.

Téléchargez du site Internet HP le logiciel d'impression (appelé aussi pilote d'imprimante) pour remplacer celui sur trouvant sur le CD endommagé.

Si vous n'avez pas accès à l'Internet, contactez le service clientèle HP pour obtenir le logiciel sur CD Pour connaître le numéro de l'assistance à la clientèle HP à composer, reportez-vous à « Service clientèle hp ».

Quel est le problème ? →

Le logiciel ne s'est pas installé correctement.

Raisons possibles

- Il peut entrer en conflit avec votre logiciel anti-virus
- Il peut entrer en conflit avec un autre logiciel.
- Il peut y avoir un conflit avec un périphérique connecté à l'imprimante.

Pour résoudre le problème...

Désinstallez votre logiciel d'impression.

Sous Windows 95, 98, Me, NT 4.0 et 2000 :

1. Cliquez sur **Démarrer > Programmes > hp deskjet 9xx series > Retirer le logiciel hp deskjet 9xx series.**
2. Suivez les instructions apparaissant à l'écran de votre ordinateur.

Sous Windows 3.1x :

1. Ouvrez le groupe de programme **hp deskjet 9xx series.**
2. Cliquez deux fois sur l'icône **Désinstaller hp deskjet 9xx series.**
3. Suivez les instructions apparaissant à l'écran de votre ordinateur.

- Quittez tout programme (y compris les utilitaires anti-virus) en cours d'exécution.
- Déconnectez tout périphérique utilisant un câble d'imprimante parallèle (tel qu'un scanner ou une unité de sauvegarde sur bande).

Réinstallez le logiciel d'impression. Reportez-vous à l'affiche de *démarrage rapide*.

Si vous éprouvez toujours des difficultés d'installation, contactez le service clientèle HP. Reportez-vous à « Service clientèle hp ».

Quel est le problème ?

Après avoir connecté un câble USB de l'imprimante à l'ordinateur, l'Assistant Nouveau matériel détecté n'apparaît pas.

Raisons possibles

Vous n'utilisez peut-être pas Windows 98, Me ou 2000.

Le câble USB n'est peut-être pas connecté correctement.

L'ordinateur n'est peut-être pas activé pour USB.

Pour résoudre le problème...

Assurez-vous que Windows 98, Me ou 2000 est en cours d'exécution. Si vous n'avez pas Windows 98, 2000 ou Me, vous devez utiliser un câble parallèle.

1. Déconnectez le câble USB de l'imprimante puis reconnectez-le.
2. Assurez-vous que le câble est fixé correctement.

Sous Windows 98, Me ou 2000 :

1. Cliquez sur **Démarrer > Paramètres > Panneau de configuration**.
2. Cliquez deux fois sur l'icône **Système**.
3. Sélectionnez l'onglet **Gestionnaire de périphériques**.
4. Cliquez sur l'icône plus (+) en regard de l'article Contrôleur Universal Serial Bus.
 - Si vous apercevez un contrôleur de l'hôte USB et un concentrateur USB principal, le port USB est sûrement activé.
 - Si vos périphériques ne sont pas listés, reportez-vous à la documentation de l'ordinateur ou contactez le fabricant de l'ordinateur pour obtenir de plus amples informations concernant l'activation et la configuration de l'USB.
5. Si vous ne pouvez pas activer l'USB, utilisez un câble parallèle pour raccorder l'imprimante à l'ordinateur.

Quel est le problème ?

Après avoir connecté un câble USB de l'imprimante à l'ordinateur, un message « Périphérique inconnu » s'affiche.

Raisons possibles

- De l'électricité statique s'est accumulée dans le câble entre l'imprimante et l'ordinateur
- Le câble USB est peut-être défectueux



Pour résoudre le problème...

1. Déconnectez le câble USB de l'imprimante.
2. Débranchez le cordon d'alimentation électrique de l'imprimante.
3. Veuillez patienter environ 30 secondes.
4. Branchez le câble d'alimentation dans l'imprimante.
5. Connectez le câble USB à l'imprimante.
6. Remplacez le câble USB ou utilisez un câble parallèle si « Périphérique inconnu » s'affiche toujours dans la boîte de dialogue Nouveau matériel détecté.

Quel est le problème ?

Lorsque j'insère le CD du logiciel d'impression, la copie de fichiers commence normalement puis la boîte Copie de fichiers indique que le fichier **hpzuci01.dll** est introuvable.

Raisons possibles

Conditions préalables :

- Vous utilisez un câble USB pour raccorder l'imprimante à l'ordinateur
- Vous utilisez Windows 98
- Plusieurs périphériques sont connectés simultanément

Pour résoudre le problème...

1. Cliquez sur **Parcourir**.
L'écran Ouvrir s'affiche à l'écran.
2. Sélectionnez le chemin d'accès suivant pour trouver le fichier *hpzuci01.dll* : **c:\Program Files\Hewlett-Packard\hpz\ glue**.
3. Cliquez sur **OK**.
L'écran Copie de fichiers... s'affiche à nouveau avec le chemin d'accès et le nom de fichier corrects saisis dans le champ Copie de fichiers de....
4. Cliquez sur **OK**.
5. Sélectionnez **Installer le logiciel hp deskjet 9xx series**.
L'écran Installer hp deskjet 9xx s'affiche.
6. Cliquez sur **Suivant**, puis suivez les instructions affichées à l'écran pour terminer l'installation.

Garantie limitée

la région	le logiciel	imprimez des cartouches	l'imprimeur
Amérique du Nord (incluant Canada)	90 jours	90 jours	1 année
Pacifique d'Asie	90 jours	90 jours	1 année
Europe	90 jours	90 jours	1 année
Amérique latine	90 jours	90 jours	1 année

A. Etendue de la garantie limitée

1. Hewlett-Packard (HP) garantit à l'utilisateur final que les produits HP spécifiés ci-dessus seront exempts de vices de matériel et de fabrication pendant la durée indiquée ci-dessus, à partir de la date d'acquisition par le client. Celui-ci doit être en mesure de fournir une preuve de la date d'acquisition.
2. En ce qui concerne les logiciels, la garantie garantit seulement qu'ils exécuteront les instructions du programme. HP ne garantit pas que les logiciels seront totalement exempts d'erreurs ou que leur fonctionnement ne sera jamais interrompu.
3. La garantie HP ne couvre que les problèmes survenant au cours d'une utilisation normale du produit et ne s'applique pas dans les cas suivants :
 - a. Mauvais entretien ou modification non autorisée ;
 - b. Utilisation de logiciel, d'interface, de support, de pièces ou de fournitures non fournies ou agréées par HP ; ou
 - c. Exploitation en dehors des conditions spécifiées.
4. Dans le cas des imprimantes HP, l'utilisation de cartouches d'impression de marque autre que HP ou reconditionnées n'a pas de conséquences sur la garantie ou les contrats d'assistance HP auxquels le client a souscrit. Cependant, si une panne d'imprimante ou des dégâts causés sur celle-ci peuvent être attribués à l'utilisation d'une cartouche de marque autre que HP ou reconditionnée, HP facturera au client la réparation de cette panne ou de ces dégâts au tarif standard de la main d'œuvre et des pièces détachées.
5. Si pendant la période de garantie, HP se voit notifier un défaut d'un produit logiciel, d'un support ou d'une cartouche d'encre, HP remplacera le produit défectueux. Si, pendant la période de garantie, HP se voit notifier un défaut d'un produit matériel, HP procédera, à sa discrétion, à la réparation ou au remplacement du produit en question.
6. Si HP n'est pas en mesure de procéder, selon le cas, à la réparation ou au remplacement d'un produit défectueux couvert par la garantie HP, HP remboursera son prix d'achat dans un délai raisonnable après avoir reçu notification du problème.
7. HP n'est tenu à aucune obligation de réparation, de remplacement ou de remboursement tant que le client n'a pas retourné à HP le produit défectueux.
8. Le produit de remplacement peut être neuf ou « comme neuf », si ses fonctionnalités sont au moins égales à celles du produit qu'il remplace.
9. La garantie d'HP est valable dans tous les pays où le produit HP considéré est distribué par HP, à l'exception du Moyen-Orient, de l'Afrique, de l'Argentine, du Brésil, du Mexique, du Venezuela, et des Départements d'outre-mer français ; pour ces régions, des contrats prévoyant des services de garantie supplémentaires, tels que la maintenance sur site, peuvent être obtenus auprès des centres de maintenance HP agréés dans les pays où ce produit est distribué par HP ou auprès d'un importateur agréé.

B. Limites de garantie

1. DANS LA LIMITE DES LEGISLATIONS LOCALES, NI HP NI SES FOURNISSEURS TIERS N'OFFRENT QUELQUE AUTRE RECOURS OU GARANTIE QUE CE SOIT, EXPRESSE OU IMPLICITE, CONCERNANT LES PRODUITS HP, ET REJETTENT EXPRESSEMENT TOUTE GARANTIE IMPLICITE DE COMMERCIALISATION, D'ASSURANCE DE QUALITE ET D'ADAPTATION A UN USAGE PARTICULIER.

C. Limites de responsabilité

1. Dans les limites des législations locales, les recours énoncés dans cette déclaration de garantie sont les recours uniques et exclusifs auxquels peut prétendre le client.
2. DANS LA LIMITE DES LEGISLATIONS LOCALES, A L'EXCEPTION DES OBLIGATIONS EXPRESSEMENT ENONCEES DANS CETTE DECLARATION DE GARANTIE, NI HP NI SES FOURNISSEURS TIERS NE POURRONT ETRE TENUS POUR RESPONSABLES DE QUELQUE DOMMAGE DIRECT, INDIRECT, SPECIAL, MINEUR OU CONSEQUENT, QUEL QUE SOIT LE LIEU D'OU EMANE LA RECLAMATION, QU'ELLE SOIT FONDEE SUR UN CONTRAT OU UN PREJUDICE SUBI, OU QUELLE QUE SOIT LA RAISON LEGALE INVOQUEE, MEME SI HP A ETE AVISE DU RISQUE D'UN TEL DOMMAGE.

D. Législations locales

1. Cette déclaration de garantie donne au client des droits spécifiques. Il est également possible que le client ait des droits supplémentaires, variables aux Etats-Unis d'un état à l'autre, au Canada d'une province à l'autre et dans le reste du monde d'un pays à l'autre.
2. Si cette déclaration de garantie entre en conflit avec la législation locale en vigueur, elle est réputée modifiée pour se conformer à ladite législation. Selon certaines législations locales, certains des refus et limites de garantie exposés dans cette déclaration peuvent ne pas s'appliquer au client. Par exemple, certains états américains, de même que certains gouvernements en dehors des Etats-Unis (y compris certaines provinces canadiennes), peuvent :

- a. Interdire aux refus et limites de garantie exposés dans cette déclaration de restreindre les droits légaux d'un consommateur (comme c'est le cas au Royaume-Uni) ;
 - b. D'autre part restreindre la capacité pour un fabricant d'imposer de tels refus ou limites de garantie ; ou
 - c. Accorder au client des droits supplémentaires à titre de la garantie, spécifier des durées de garantie implicites que le fabricant ne peut pas refuser ou lui interdire de limiter la durée d'une garantie implicite.
3. DANS LE CAS DES TRANSACTIONS EFFECTUEES PAR DES CONSOMMATEURS EN AUSTRALIE ET EN NOUVELLE-ZELANDE, LES CONDITIONS DE CETTE DECLARATION DE GARANTIE, DANS LES LIMITES LEGALES, N'EXCLUENT, NE RESTEIGNENT, NI NE MODIFIENT LES DROITS LEGAUX OBLIGATOIRES RELATIFS A LA VENTE DE PRODUITS HP A CES CLIENTS, MAIS S'Y AJOUTENT.

GARANTIE AN 2000 HEWLETT-PACKARD POUR LES VENTES DE PRODUITS HP VIA LE RESEAU DE DISTRIBUTION.

Sous réserve des conditions décrites dans la Garantie fournie avec ce Produit HP, HP garantit que ce Produit pourra traiter toutes données de date (y compris, sans que cette liste soit limitative, calculer, comparer et séquencer) entre les vingtième et vingt et unième siècle et les années 1999 et 2000, incluant le caractère bissextile de l'année 2000. Cette garantie est donnée dans le cadre d'une utilisation conforme à la documentation Produit fournie par HP (y compris toute instruction concernant l'installation des patches ou les mises à niveau), et sous réserve que tous les produits, listés ou non, utilisés par le client en combinaison avec les dits produits HP échangent correctement des données de date. Cette Garantie expirera le 31 janvier 2001.

Protection de l'environnement

Hewlett-Packard ne cesse d'améliorer la conception des imprimantes HP deskjet afin de réduire au maximum les effets néfastes de l'utilisation des imprimantes sur le lieu de travail ainsi que les problèmes apportés sur les lieux de production, de distribution et d'utilisation. De plus, Hewlett-Packard a amélioré ses méthodes de production afin de faciliter le recyclage des imprimantes.

Réduction et élimination

Consommation de papier : la capacité d'imprimer des feuilles recto-verso diminue la consommation de papier, ce qui réduit la demande en ressources naturelles. Cette imprimante est compatible avec l'utilisation de papier recyclé conformément à DIN 19 309.

Ozone : Hewlett-Packard n'utilise plus de produits chimiques risquant d'endommager la couche d'ozone (tels les CFC).

recyclage

Le concept de recyclage a été intégré à la fabrication de cette imprimante. Le nombre de matériaux utilisés a été réduit au minimum, tout en assurant une bonne fonctionnalité et fiabilité de l'imprimante. Les pièces ont été conçues pour que les matériaux soient facilement séparables. Les attaches et autres connecteurs sont facilement identifiables et accessibles ; ils peuvent être retirés avec des outils ordinaires. Les pièces les plus importantes ont été conçues pour être rapidement accessibles, démontées et réparées. Les pièces en plastique ont été conçues principalement en une ou deux couleurs pour faciliter leur recyclage. Quelques petites pièces sont colorées spécifiquement comme repère des points accessibles par la clientèle.

Emballage de l'imprimante : l'emballage de cette imprimante a été sélectionné pour offrir une protection maximum à un coût minimal, tout en essayant de réduire l'impact sur l'environnement et favoriser le recyclage. La robustesse de l'imprimante HP Deskjet aide à réduire la quantité d'emballages et le taux de dommages.

Pièces en plastique : toutes les pièces principales en plastique indiquent leur teneur en plastique, conformément aux normes internationales. Toutes les pièces en plastique utilisées dans le boîtier et le châssis de l'imprimante sont techniquement recyclables et utilisent toutes un polymère unique.

Longévité du produit : Pour assurer la longévité de votre imprimante Deskjet, HP fournit les services suivants :

- **Prorogation de la garantie** : HP SupportPack fournit une garantie sur le matériel et produit HP ainsi que sur tous les composants internes fournis par HP. HP SupportPack doit être acheté par le client dans les 30 jours à compter de la date d'achat. Contactez le distributeur HP le plus proche pour obtenir de plus amples informations.
- **Les fournitures et pièces de rechange** sont disponibles pendant une durée de cinq ans suivant l'arrêt de fabrication du produit.
- **Reprise du produit** : Reprise de produit – Pour renvoyer ce produit et les cartouches d'impression à HP à la fin de leur durée d'utilisation, contactez le service commercial ou bureau d'assistance HP le plus proche pour obtenir de plus amples informations.

Consommation d'énergie

Cette imprimante a été conçue de façon à économiser le plus d'énergie possible. Elle consomme 4W en mode d'attente. Non seulement elle économise les ressources naturelles, mais elle vous fait aussi économiser de l'argent sans affecter ses excellentes performances.

Ce produit remplit les conditions exigées par le programme ENERGY STAR (Etats-Unis et Japon). ENERGY STAR est un programme bénévole établi pour encourager la mise au point de produits bureautiques plus économiques.



ENERGY STAR est une marque de service déposée à l'EPA (Agence de protection de l'environnement) des Etats-Unis . En tant que partenaire de ENERGY STAR, HP certifie que ce produit informatique répond aux directives du programme ENERGY STAR de l'EPA (Agence américaine de protection de l'environnement).

Consommation d'énergie en mode hors tension : lorsque l'imprimante est hors tension, elle consomme quand même une quantité minimale d'électricité. Pour éviter toute consommation électrique, mettez l'imprimante hors tension et débranchez le câble d'alimentation électrique de la prise murale.

Index

A

- Adobe Acrobat Reader **6**
- aide **5**
- aide affichée sous Windows, **3**
- aide,
 - Après la période d'assistance téléphonique gratuite, **10**
 - Assistance téléphonique **9**
 - Assistance téléphonique, **10**
 - Conférences d'utilisateur **8**
 - dépannage, problèmes d'impression **12**
 - réparation de l'imprimante, **11**
 - Service Clientèle HP **7**
 - Service par courrier électronique **8**
 - Service sur le Web **7**
- aide, à l'écran **3**
- Assistance téléphonique, **9, 10**
- assistant de l'imprimante HP, **4**

B

- bulles d'aide sous Macintosh, **3**
- bulles d'aide, **3**

C

- câbles, imprimante **2**
- caractéristiques de l'imprimante, **3**
- Cartouche **1**
- cartouches d'impression, **2, 3**
- CD **1**
- compatibilité,
 - avec d'autres logiciels **3**
 - avec d'autres matériels **3**
- Consommation d'énergie, **19**
- contrats de service, **11**

D

- dépannage, **12**
 - hpzuci01.dll introuvable **16**
 - l'ordinateur ne peut pas lire le CD du logiciel **12**
 - le logiciel ne s'est pas installé correctement **13**
 - problèmes d'installation USB **14**
- Dépliant **1**
- dépliant de démarrage rapide, **3**

F

- fiche technique, **3**

G

- guide d'utilisation, Windows 3.1x **3**
- guide de réseau, Windows **3**

I

- imprimante, câble, **2, 14, 15**
- imprimante, connexion sur un réseau **3**
- imprimante, installation **3**
- informations de dernière minute, **3**
- Internet, Service Clientèle HP **7**

L

- logiciel d'impression, **2, 3**
- logiciel, imprimante **2, 3**
- logiciels anti-virus **13**

M

- manuel d'aide rapide, **3, 4, 5, 6**

P

- pilote d'imprimante, **2, 3**
- problèmes d'installation **12**
- prorogation de garantie, **11, 19**

R

- recherche d'informations, **3**
- recyclage de l'imprimante, **19**
- réparation de l'imprimante, **11**

S

- Service clientèle, **7**
- Service par courrier électronique, **8**
- Systèmes DOS **6**

U

- USB **14**
- Utilisateurs **5**

W

- warranty, limited **17**

Regulatory notices

hewlett-packard company

This device complies with part 15 of the FCC Rules. Operation is subject to the following two conditions:

- This device may not cause harmful interference, and
- This device must accept any interference received, including interference that may cause undesired operation.
- Pursuant to Part 15.21 of the FCC Rules, any changes or modifications to this equipment not expressly approved by Hewlett-Packard Company may cause harmful interference, and void your authority to operate this equipment. Use of a shielded data cable is required to comply with the Class B limits of Part 15 of the FCC Rules.

For further information, contact:

Hewlett-Packard Company
Manager of Corporate Product Regulations
3000 Hanover Street
Palo Alto, Ca 94304
(650) 857-1501

note

This equipment has been tested and found to comply with the limits for a Class B digital device, pursuant to part 15 of the FCC rules. These limits are designed to provide reasonable protection against harmful interference in a residential installation. This equipment generates, uses, and can radiate radio frequency energy and, if not installed and used in accordance with the instructions, can cause harmful interference to radio communications. However, there is no guarantee that interference will not occur in a particular installation. If this equipment does cause harmful interference to radio or television reception, which can be determined by turning the equipment off and on, the user is encouraged to try to correct the interference by one or more of the following measures:

- Reorient or relocate the receiving antenna.
- Increase the separation between the equipment and the receiver.
- Connect the equipment into an outlet on a circuit different from that to which the receiver is connected.
- Consult the dealer or an experienced radio/TV technician for help.

LED indicator statement

The display LEDs meet the requirements of EN 60825-1.

この装置は、情報処理装置等電波障害自主規制協議会（VCCI）の基準に基づくクラスB情報技術装置です。この装置は、家庭環境で使用することを目的としていますが、この装置がラジオやテレビジョン受信機に近接して使用されると受信障害を引き起こすことがあります。

取り扱い説明書に従って正しい取り扱いをして下さい。

사용자 안내문 (B급 기기)

이 기기는 비업무용으로 전자파장애검정을 받은 기기로서, 주거지역에서는 물론 모든 지역에서 사용될 수 있습니다.



i n v e n t

Windows
Macintosh

Guida di riferimento rapido

hp deskjet 990c/980c/960c series

italiano

Prima edizione, ottobre 2000
Copyright 2000 Hewlett-Packard Company

Riconoscimenti

Microsoft, MS-DOS e Windows sono marchi depositati della Microsoft Corporation.

Adobe e Acrobat sono marchi depositati della Adobe Systems Incorporated.

Mac, Macintosh e Mac OS sono marchi di fabbrica della Apple Computer, Inc., depositati negli Stati Uniti e in altri Paesi.

Avviso

Le informazioni contenute in questo documento sono soggette a modifiche senza preavviso.

La Hewlett-Packard declina ogni garanzia riguardo a questo materiale, incluse, ma non limitate alle garanzie implicite di commercializzazione ed idoneità a scopi particolari.

La Hewlett-Packard non è responsabile per eventuali errori contenuti in questo documento, né per danni incidentali o derivanti dalla vendita, dal funzionamento o dall'uso di questo materiale.

È vietato fotocopiare, riprodurre o tradurre questo manuale in un'altra lingua senza il consenso scritto della Hewlett-Packard Company.

Termini e convenzioni

Nella *Guida di riferimento rapido* sono usati i seguenti termini e convenzioni:

Termini

È possibile che le stampanti HP Deskjet 990c, 980c e 960c series siano indicate come **HP Deskjet 9xx** o **HP Deskjet**.

Simboli

Il simbolo > guida l'utente in una serie di procedure del software. Ad esempio:

Fare clic su **Start/Avvio > Programmi > hp deskjet 9xx series > Note di pubblicazione** per visualizzare le Note di pubblicazione.

Avvisi di attenzione

Un avviso di **Attenzione** indica che potrebbe essere possibile danneggiare la stampante HP Deskjet o un altro dispositivo.

Ad esempio:

Attenzione! Non toccare gli ugelli dell'inchiostro o i contatti di rame della cartuccia di stampa. Ciò causerà otturazioni, errori dell'inchiostro e connessioni elettriche non corrette.

Guida di riferimento rapido

hp deskjet 990c/980c/960c series

Sommario

Introduzione alla stampante hp deskjet.	1
Cartucce di stampa	2
Cavi della stampante	2
Aggiornamenti del software	2
Ricerca di informazioni	3
Visualizzazione della Guida rapida	4
Utenti di Windows 95, 98, Me 2000 e NT 4.0	4
Utenti di Macintosh	5
Visualizzazione delle informazioni sulla stampante in Windows 3.1x e DOS	6
Utenti di Windows 3.1x	6
Utenti di DOS	6
Richiesta di assistenza clienti hp	7
Procedura di assistenza hp	7
Assistenza clienti hp in linea	7
Assistenza clienti hp per telefono	9
Richiesta di assistenza clienti hp per le riparazioni	11
Richiesta di un'estensione della garanzia	11
Soluzione di problemi di installazione con Windows	12
Dichiarazione di garanzia limitata	17
Dichiarazione ambientale	19
Indice	20
Regulatory notices	Risolto del retro di copertina

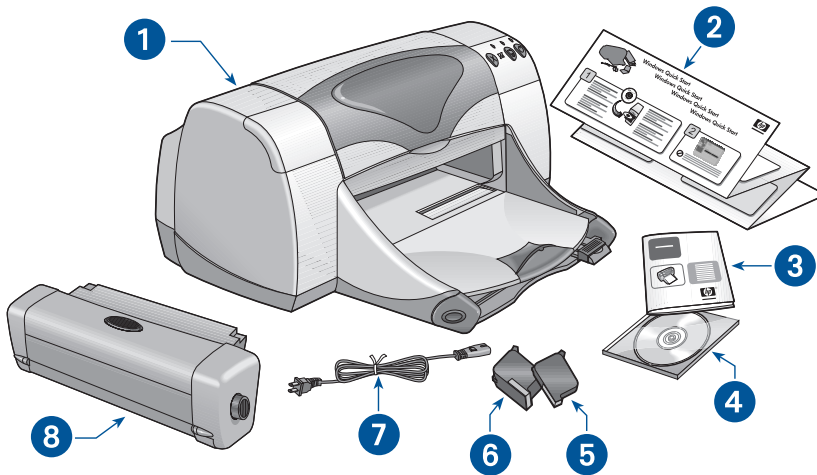
Introduzione alla stampante hp deskjet

Contenuto della scatola

Vi ringraziamo per l'acquisto di una stampante HP Deskjet! La scatola della stampante contiene i seguenti articoli:

- Stampante HP Deskjet (990c series, 980c series o 960c series)
- Modulo di stampa automatica su due facciate (potrebbe non essere disponibile con tutti i modelli di stampante)
- Cavo di alimentazione
- CD del software della stampante
- Guida di riferimento rapido
- Poster di *installazione rapida*
- Cartuccia di stampa in nero
- Cartuccia di stampa in tricromia

Se uno di questi articoli non fosse presente nella scatola, rivolgersi al rivenditore locale o al rappresentante di assistenza clienti HP. Fare riferimento a "Richiesta di assistenza clienti hp" per ulteriori informazioni.



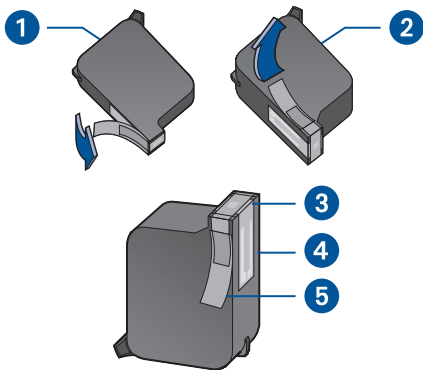
1. Stampante 2. Poster di *installazione rapida* 3. Guida di riferimento rapido 4. Software della stampante 5. Cartuccia di stampa in nero 6. Cartuccia di stampa in tricromia 7. Cavo di alimentazione 8. Modulo di stampa automatica su due facciate (potrebbe non essere disponibile con tutti i modelli di stampante)

Cartucce di stampa

La scatola della stampante HP Deskjet contiene sia una cartuccia di stampa in nero che una cartuccia a colori. Ogni confezione di cartuccia di stampa e il manuale di *Guida rapida* contengono istruzioni di installazione.

Quando si sostituisce una cartuccia di stampa è opportuno verificare che abbia il numero di parte corretto:

- Nero—hp 45 (hp 51645a)
- Tricromia—hp 78 (hp c6578d)
- Tricromia grande—hp 78 (hp c6578a)



1. Cartuccia di stampa in nero 2. Cartuccia di stampa in tricromia 3. Ugelli dell'inchiostro 4. Contatti di rame 5. Nastro adesivo vinilico protettivo

Attenzione! Quando si sostituisce una cartuccia di stampa, non toccare gli ugelli dell'inchiostro o i contatti di rame. Ciò causerà otturazioni, errori dell'inchiostro e connessioni elettriche non corrette. Inoltre, non rimuovere le strisce di rame, in quanto sono contatti elettrici necessari.

Cavi della stampante

La scatola della stampante non contiene un cavo della stampante. Per collegare la stampante al computer, acquistare uno dei seguenti cavi:

- Un cavo di interfaccia parallela conforme alla norma IEEE 1284 utilizzabile con tutti i sistemi Windows
- Un cavo di interfaccia conforme a USB utilizzabile sia con i sistemi Macintosh che con i sistemi Windows 98, Me e 2000

Aggiornamenti del software







Il software della stampante, detto anche driver della stampante, consente la comunicazione delle richieste di stampa alla stampante. Usare uno dei metodi seguenti per ottenere copie e aggiornamenti del software della stampante:

- Scaricare il software della stampante dal sito Web della HP.
- Telefonare all'assistenza clienti HP per richiedere un CD con i file di aggiornamento del software.

Fare riferimento a "Richiesta di assistenza clienti hp" per i relativi numeri telefonici e gli indirizzi Web.

Ricerca di informazioni

Con la stampante HP Deskjet sono acclusi diversi documenti. Tali documenti contengono istruzioni per l'installazione e l'uso della stampante e su come trovare assistenza in caso di necessità. La tabella seguente indica dove trovare tipi specifici di informazioni.

Per informazioni su...	Vedere...	Piattaforma
Installazione della stampante e del software della stampante	 Poster di <i>installazione rapida</i>	Windows (tutte le versioni) e Macintosh
Funzionalità, specifiche e manutenzione della stampante, cartucce di stampa, consigli per la stampa e aiuto per la soluzione di problemi della stampante	 <i>Guida rapida</i> (fare riferimento a "Visualizzazione della <i>Guida rapida</i> " per informazioni) <i>Manuale dell'utente</i> (fare riferimento a "Visualizzazione delle informazioni sulla stampante in Windows 3.1x e DOS" per informazioni)	Windows (tutte le versioni) e Macintosh
Contenuto della scatola della stampante, assistenza clienti HP, informazioni sulla garanzia e soluzione di problemi d'installazione	 <i>Guida di riferimento rapido</i>	Windows (tutte le versioni) e Macintosh
Collegamento della stampante ad una rete	 <i>Guida alla rete per Windows di HP</i>	Windows (tutte le versioni eccetto 3.1)
Compatibilità di hardware e software con la stampante	 <i>Note di pubblicazione per hp deskjet</i> Fare clic su Start/Avvio > Programmi > hp deskjet 9xx series > Note di pubblicazione	Windows (tutte le versioni eccetto 3.1)
Opzioni sullo schermo per il software della stampante	 <i>Guida rapida (Windows)</i> Fare clic con il pulsante destro del mouse nello schermo desiderato. <i>Descrizione comandi (Macintosh)</i> Fare clic con il mouse nello schermo desiderato.	Windows (tutte le versioni eccetto 3.1) e Macintosh

Visualizzazione della Guida rapida

Il manuale in formato elettronico, *Guida rapida*, fornisce istruzioni sull'uso della stampante HP Deskjet. Sono fornite anche informazioni di guida per la soluzione di eventuali problemi della stampante.

Utenti di Windows 95, 98, Me 2000 e NT 4.0

Aprire la *Guida rapida* tramite l'Assistente per la stampante hp, uno strumento che fornisce anche:

- Assistenza tramite l'assistenza clienti HP
- Idee per la stampa
- Collegamenti per l'acquisto di altri prodotti HP
- Collegamenti agli aggiornamenti del software della stampante

Un'icona dell'Assistente per la stampante viene visualizzata sul desktop di Windows dopo l'installazione del software della stampante.

Accesso alla *Guida rapida*

Per visualizzare la *Guida rapida*:

1. Fare doppio clic sull'icona dell'**Assistente per la stampante hp** sul desktop del computer.



Assistente per la stampante 990c

Viene visualizzato l'Assistente per la stampante hp.

2. Fare clic sul pulsante **Guida rapida** per visualizzare gli argomenti del manuale.

È anche possibile aprire la *Guida rapida* dal menu Start/Avvio facendo clic su **Start/Avvio > Programmi > hp deskjet 9xx series > Assistente per la stampante 9xx > Guida rapida**.

Versioni per Adobe Acrobat della *Guida rapida*

Il manuale di *Guida rapida* è disponibile anche nelle lingue seguenti:

- Arabo
- Bahasa (Indonesia)
- Bulgaro
- Ebraico
- Estone
- Greco
- Kazako
- Lituano
- Romeno
- Serbo-Croato
- Slovacco
- Sloveno
- Turco

Se si desidera visualizzare il manuale in una di queste lingue:

1. Fare doppio clic sull'icona dell'**Assistente per la stampante hp** sul desktop del computer.
2. Fare clic sul pulsante **Guida rapida** nello schermo dell'Assistente per la stampante hp.
3. Selezionare la **Guida rapida è disponibile in altre lingue** indicato in fondo allo schermo della *Guida rapida*.
4. Inserire il CD del software della stampante nell'unità CD-ROM del computer.
5. Selezionare la lingua desiderata nell'elenco visualizzato.
 - Se Acrobat Reader è installato sul computer, la *Guida rapida* viene visualizzata.
 - Se Acrobat Reader non è installato sul computer, viene installato automaticamente e poi la *Guida rapida* viene visualizzata.

Utenti di Macintosh

Sui computer Macintosh, è necessario avere Adobe Acrobat Reader per visualizzare il manuale di *Guida rapida*. Se non si dispone di Acrobat Reader, installarlo dal CD del software della stampante.

Per aprire la *Guida rapida*:

1. Inserire il CD del software della stampante nell'unità CD-ROM del computer.
Viene visualizzato lo schermo hp deskjet.
2. Selezionare la cartella con il **Manuale dell'utente** per la lingua desiderata.
3. Compiere una delle azioni seguenti:
 - Fare doppio clic sull'icona **Manuale dell'utente in formato elettronico** se Acrobat Reader è installato sul computer.



Manuale utente in formato

- Fare doppio clic sull'icona **Acrobat Reader 4.0** se Acrobat Reader non è installato sul computer.



Acrobat Reader 4.0

Adobe Acrobat Reader viene installato automaticamente. Dopo l'installazione, fare doppio clic sull'icona **Manuale dell'utente in formato elettronico** per visualizzare la *Guida rapida*.

Visualizzazione delle informazioni sulla stampante in Windows 3.1x e DOS

Utenti di Windows 3.1x

Nei sistemi con Windows 3.1x, le informazioni sull'uso della stampante si trovano in un *Manuale dell'utente* in formato elettronico. Questa opzione è disponibile solo per le stampanti HP Deskjet 990c series.

Per visualizzare il *Manuale dell'utente* è necessario avere Adobe Acrobat Reader. Se non si ha Acrobat Reader, installarlo dal CD del software della stampante la prima volta che si visualizza il manuale.

Per aprire il *Manuale dell'utente*:

1. Inserire il CD del software della stampante nell'unità CD-ROM del computer.
2. Selezionare **File > Esegui** in Program Manager.
3. Digitare **d:\setup.exe**.
Se necessario, sostituire la lettera "d" con la lettera relativa alla propria unità CD-ROM.
4. Fare clic su **OK**.
Viene visualizzato lo schermo hp deskjet.
5. Selezionare **Visualizza Manuale dell'utente**.
 - Se Acrobat Reader è installato sul computer, il *Manuale dell'utente* viene visualizzato.
 - Se Acrobat Reader non è installato sul computer, seguire le istruzioni di installazione sullo schermo. Quando Acrobat Reader è installato, selezionare **Visualizza Manuale dell'utente** per visualizzare il manuale.

Utenti di DOS

Nei sistemi operativi DOS, le informazioni sulla stampante HP Deskjet sono contenute in un documento di testo chiamato *dosread.txt*. Questo file si trova sul CD del software della stampante nella directory `\<codice di lingua>\djcp\`. Sostituire `<codice di lingua>` con l'appropriato codice dall'elenco seguente. Ad esempio, per leggere il file in inglese, aprire il file *dosread.txt* nella directory `\enu\djcp`.

Per questa lingua...	Usare questo codice...
Bahasa Indonesia	bin
Bulgaro	bul
Cinese, semplificato	chs
Cinese, tradizionale	cht
Ceco	csy
Danese	dan
Tedesco	deu
Inglese	enu
Spagnolo	esm
Finlandese	fin
Francese	fra
Ungherese	hun
Italiano	ita
Giapponese	jpn
Coreano	kor
Kazako	kzh
Olandese	nld
Norvegese	non
Polacco	plk
Portoghese	ptb
Russo	rus
Svedese	svc
Thai	tha

Richiesta di assistenza clienti hp

Il servizio di assistenza clienti HP fornisce consigli esperti sull'uso della stampante HP Deskjet o per la soluzione di problemi della stampante. È possibile ricevere questa assistenza in diversi modi—personalizzata e tempestiva!

Procedura di assistenza hp

La procedura di assistenza clienti HP è più efficace se si ricercano soluzioni nell'ordine seguente:

1. Usare la *Guida rapida*.

Fare riferimento a “Visualizzazione della *Guida rapida*” per ulteriori informazioni.

2. Accedere al servizio di assistenza clienti HP in linea.

Usare il proprio collegamento ad Internet a qualunque ora del giorno per:

- Controllare le pagine Web di assistenza HP per aiuto specifico per un prodotto
- Leggere i messaggi pubblicati nei forum per gli utenti HP o porre la propria domanda
- Inviare alla HP un messaggio di posta elettronica

Fare riferimento a “Assistenza clienti hp in linea” per ulteriori informazioni.

3. Rivolgersi all'assistenza clienti HP per telefono durante le ore di apertura specificate.

Fare riferimento a “Assistenza clienti hp per telefono” per ulteriori informazioni.

Nota Le opzioni e la disponibilità dell'assistenza variano a seconda del prodotto, del Paese o regione e della lingua.

Assistenza clienti hp in linea

L'assistenza clienti HP in linea è offerta per la durata della proprietà della stampante HP. È possibile l'accesso immediato ad informazioni sull'assistenza, a utili consigli per la stampa e agli aggiornamenti più recenti al software della stampante (detto anche driver della stampante)—24 ore al giorno, sette giorni alla settimana, gratuitamente.

Siti Web di assistenza hp

Se si dispone di un modem collegato al computer e di un abbonamento con un fornitore di servizi Internet, o se si dispone di un accesso diretto a Internet, è possibile ottenere diverse informazioni sulla stampante. Visitare i siti Web elencati nella tabella alla pagina seguente.

Se la lingua o il Paese desiderato non è elencato nella tabella, accedere all'assistenza clienti HP in linea all'indirizzo www.hp.com/apcpo-support/regional.html per verificare se esiste un sito Web nella lingua desiderata.

Per questa lingua...	Usare questo sito Web...
Cinese semplificato	http://www.hp.com.cn/go/support
Cinese tradizionale	http://taiwan.support.hp.com
Coreano	http://www.hp.co.kr/go/support
Francese	http://www.hp.com/cposupport/fr
Giapponese	http://www.jp.hp.com/CPO_TC/eschome.htm
Inglese	http://www.hp.com/go/support
Portoghese	http://www.hp.com/cposupport/pt
Spagnolo	http://www.hp.com/cposupport/es
Svedese	http://www.hp.com/cposupport/sv
Tedesco	http://www.hp.com/cposupport/de

Dal sito Web di assistenza clienti HP in linea è possibile collegarsi ai forum per gli utenti e alla posta elettronica dell'assistenza clienti HP. Accedere al sito Web e poi selezionare le opzioni specifiche relative alla stampante in uso. Quando compare lo schermo dell'assistenza clienti hp, fare clic su **Collegarsi a HP**.

Forum per gli utenti hp

I forum in linea per gli utenti dell'assistenza clienti HP consentono di leggere domande e risposte pubblicate da altri utenti HP per trovare una soluzione alle domande relative all'assistenza. È anche possibile pubblicare le proprie domande e visitare il sito in seguito per leggere le risposte ricevute da altri utenti esperti o dai moderatori dei forum.

Posta elettronica di assistenza clienti hp

Messaggi personali di posta elettronica forniscono risposte dirette alle proprie domande da parte di tecnici del servizio di assistenza clienti HP. Digitare la domanda in un modulo sul Web per ricevere una risposta tramite posta elettronica. (Le risposte pervengono in genere entro 48 ore, esclusi i giorni festivi.) L'assistenza tramite posta elettronica è particolarmente efficiente per porre domande tecniche o per ricevere risposte specificamente personalizzate per il proprio sistema.

Assistenza clienti hp per telefono

La HP offre assistenza telefonica gratuita durante il periodo di assistenza telefonica specificato per la stampante. (Sono però applicabili le normali tariffe del servizio telefonico.) Nell'elenco seguente sono indicati i periodi di assistenza telefonica per regione.

Periodo di assistenza telefonica gratuita

Regione	Assistenza telefonica*
Nordamerica— compreso il Canada	1 anno
Asia Pacifico	1 anno
Europa	30 giorni
America Latina	1 anno

* Sono applicabili le normali tariffe del servizio telefonico.

Prima di telefonare

Prima di telefonare per richiedere assistenza, provare ad usare queste altre opzioni di assistenza gratuita:

- Guida rapida
- Poster di *installazione rapida*
- Assistenza clienti HP in linea

Se le risorse descritte in precedenza non sono sufficienti a risolvere il problema, telefonare a un tecnico del servizio di assistenza clienti HP mentre ci si trova seduti davanti al computer e alla stampante. Per un servizio più veloce, si consiglia di essere pronti a fornire informazioni sui passi intrapresi per risolvere il problema.

Inoltre, per poter fornire assistenza, la HP richiede le seguenti informazioni:

- Il numero di modello della stampante (l'etichetta si trova sulla parte anteriore della stampante)
- Il numero di serie della stampante (l'etichetta si trova sulla base della stampante)
- Il sistema operativo del computer
- La versione del driver della stampante (chiamato anche software della stampante)
- I messaggi visualizzati al momento in cui si è verificato il problema
- Risposte alle seguenti domande:
 - Il problema si è già verificato in precedenza? È possibile crearlo di nuovo?
 - Quando si è verificato? Si è aggiunto nuovo software o hardware nel periodo in cui è iniziato il problema?

Numeri dell'assistenza telefonica

Per aiuto a risolvere un problema, telefonare all'assistenza clienti HP usando uno dei numeri telefonici indicati nella tabella a destra. Se il numero telefonico relativo alla propria regione non è indicato, visitare il sito Web della HP all'indirizzo www.hp.com/cpsosupport/guide/psd/cscinfo.htm.

Dopo la scadenza del periodo di assistenza telefonica gratuita

Dopo la scadenza del periodo di assistenza telefonica gratuita, è possibile ricevere assistenza dalla HP a pagamento. I prezzi sono soggetti a modifiche senza preavviso.

Tuttavia l'assistenza clienti HP in linea è sempre disponibile ed è gratuita! Fare riferimento a "Assistenza clienti HP in linea" per ulteriori informazioni.

- Per telefonate negli Stati Uniti di durata inferiore a 10 minuti, telefonare al numero (900) 555-1500. Il costo è di US\$2,50 al minuto, a partire dal momento in cui comincia il collegamento con un tecnico di assistenza. Il costo non supererà US\$25.
- Per telefonate negli Stati Uniti di durata superiore a 10 minuti o per telefonate dal Canada, telefonare al numero (800) 999-1148. Il costo è di US\$25 a telefonata, addebitato ad una carta di credito Visa o MasterCard.

Se nel corso della telefonata la HP determina che la stampante deve essere riparata ed è ancora in vigore la garanzia limitata, il costo dell'assistenza telefonica non sarà addebitato.

Per questa regione...	Usare questo numero di telefono...
Argentina	+54 0810 555 5520
Australia	+61 3 8877 8000
Austria	+43 (0) 810 00 6080
Belgio (francese)	+32 (0) 2 626 88 07
Belgio (olandese)	+32 (0) 2 626 88 06
Brasile, al di fuori della città di San Paolo	+55 0800 15 7751
Brasile, entro la città di San Paolo	+55 3747 7799
Canada	1 (905) 206 4663
Cile	+56 800 36 0999
Cina	+86 (0) 10 6564 5959
Corea	+82 (2) 3270 0700
Corea, fuori Seoul	+82 080 999 0700
Danimarca	+45 (0) 39 29 4099
Filippine	+66 (2) 867 3551
Finlandia	+358 (0) 203 4 7 288
Francia	+33 (0) 1 43 62 34 34
Germania	+49 (0) 180 52 58 143
Giappone	+81 (0) 3 3335 8333
Grecia	+30 (0) 1 619 64 11
Hong Kong	+852 (800) 96 7729
India	+91 11 682 60 35
Indonesia	+62 (21) 350 3408
Inglese internazionale	+44 (0) 207 512 5202
Irlanda	+353 (0) 1662 5525
Israele	+972 (0) 9 9524848
Italia	+39 (0) 2 264 10350
Malaysia	+60 (3) 2952566
Malaysia, Penang	+60 1 300 88 00 28

Per questa regione...	Usare questo numero di telefono...
Medio Oriente, Dubai	+971 4 883 8454
Messico	01 800 472 6684
Norvegia	+47 22 116299
Nuova Zelanda	+64 (9) 356 6640
Olanda	+31 (0) 20 606 8751
Polonia	+48 22 519 06 00
Portogallo	+351 21 317 6333
Regno Unito	+44 (0) 207 512 5202
Repubblica Ceca	+42 02 6130 7310
Repubblica del Sud Africa, al di fuori di RSA	+27 11 258 9301
Repubblica del Sud Africa, all'interno di RSA	+27 086 000 1030
Russia, Mosca	+7 095 797 3520
Russia, Pietroburgo	+7 812 346 7997
Singapore	+65 272 5300
Spagna	+34 9 02321 123
Svezia	+46 (0) 8 6192170
Svizzera	+41 (0) 84 8801111
Tailandia	+66 (2) 661 4000
Taiwan	+886 2 2717 0055
Turchia	+90 (0) 212 221 6969
U.S.A.	1 (208) 344 4131
Ungheria	+36 (0) 1382 1111
Venezuela	+ 58 800 47 888
Vietnam	+84 (0) 8 823 4530

Richiesta di assistenza clienti hp per le riparazioni

Se la stampante HP ha bisogno di una riparazione, rivolgersi all'assistenza clienti HP per telefono. (Fare riferimento ai numeri di telefono dell'assistenza clienti HP alla pagina precedente.) Un tecnico specializzato dell'assistenza individuerà il problema e coordinerà il procedimento di riparazione.

Il servizio di assistenza clienti aiuterà a trovare la soluzione migliore, sia che si tratti di un centro di assistenza autorizzato sia di un centro di assistenza HP. Questo servizio è gratuito durante il periodo di garanzia limitata della stampante. Dopo la scadenza di tale periodo, verrà fornito un preventivo dei costi di riparazione.

Richiesta di un'estensione della garanzia

Se si desidera estendere la copertura della garanzia oltre il periodo della garanzia limitata, sono disponibili le seguenti opzioni:

- Consultare il rivenditore per ottenere un'estensione della copertura. Per trovare i rivenditori HP negli U.S.A., visitare il sito di ricerca dell'assistenza HP all'indirizzo www.hp.com/service_locator.
- Se il proprio rivenditore non offre contratti di assistenza, rivolgersi direttamente alla HP e chiedere informazioni sui contratti di assistenza HP. Negli U.S.A., telefonare al numero (800) 446-0522; in Canada telefonare al numero (800) 268-1221. Per i contratti di assistenza HP al di fuori degli U.S.A. e del Canada, rivolgersi all'ufficio vendite HP locale.

Soluzione di problemi di installazione con Windows

Leggere le informazioni in questa sezione se si incontrano problemi nell'installazione della stampante. Se si desidera un'ulteriore assistenza dopo l'installazione della stampante, consultare il manuale elettronico di *Guida rapida*.

Problema

Ho inserito il CD di installazione, ma il computer non è stato in grado di leggerlo.



Cause possibili...

- Il CD non è inserito correttamente nell'unità CD-ROM
- Il CD è danneggiato
- L'unità CD-ROM è danneggiata



Per risolvere il problema...

Reinserire il CD nell'unità CD-ROM. Fare attenzione a posizionare correttamente il CD. Se l'installazione non inizia dopo pochi secondi, è possibile che il CD o l'unità CD-ROM siano danneggiati.



Inserire un CD diverso nell'unità CD-ROM. Se un altro CD funziona, è possibile che il CD sia danneggiato. Se non è possibile far funzionare nessun CD, è possibile dover sostituire o riparare l'unità CD-ROM.



Sostituire il CD danneggiato scaricando il software della stampante (detto anche driver della stampante) dal sito Web della HP. Se non si ha accesso al Web, rivolgersi all'assistenza clienti HP per ordinare il software su CD. Per il numero telefonico del centro di assistenza clienti più vicino, consultare "Richiesta di assistenza clienti hp".

Problema

Il software della stampante non viene installato correttamente.



Cause possibili...

- Potrebbe esistere un conflitto con il programma di protezione anti-virus
- Potrebbe esistere un conflitto con un altro programma software
- Potrebbe esistere un conflitto con un dispositivo periferico collegato alla stampante



Per risolvere il problema...

Rimuovere il software della stampante.



Per Windows 95, 98, Me, NT 4.0 e 2000:

1. Fare clic su **Start/Avvio > Programmi > hp deskjet 9xx series > Rimuovi hp deskjet 9xx series**.
2. Seguire le istruzioni sullo schermo del computer.

Per Windows 3.1x:

1. Aprire il gruppo programmi **hp deskjet 9xx series**.
2. Fare doppio clic sull'icona **Rimuovi**.
3. Seguire le istruzioni sullo schermo del computer.



- Chiudere eventuali programmi (compresi i programmi di protezione anti-virus) in esecuzione.
- Scollegare eventuali dispositivi periferici che usano un cavo di stampante parallelo (come uno scanner o un sistema di backup su nastro).



Reinstallare il software della stampante. Fare riferimento al Poster di *installazione rapida*.



Se i problemi d'installazione del software persistono, rivolgersi all'assistenza clienti HP. Fare riferimento a "Richiesta di assistenza clienti hp".

Problema

Quando collego un cavo USB tra la stampante e il computer, l'installazione guidata Nuovo hardware non viene visualizzata.

Cause possibili...

È possibile che il sistema operativo in uso non sia Windows 98, Me o 2000.

È possibile che il cavo USB non sia collegato correttamente.

È possibile che il computer non supporti USB.

Per risolvere il problema...

Accertarsi che Windows 98, Me o 2000 sia in esecuzione. Se non si usa Windows 98, Me o 2000, è necessario usare un cavo parallelo.

1. Scollegare e ricollegare il cavo USB alla stampante.
2. Accertarsi che il cavo sia collegato saldamente.

In Windows 98, Me o 2000:

1. Fare clic su **Start/Avvio > Impostazioni > Pannello di controllo**.
2. Fare doppio clic sull'icona **Sistema**.
3. Selezionare la scheda **Gestione periferiche**.
4. Fare clic sul segno più (+) vicino all'opzione **Controller per Universal Serial Bus**.
 - Se sono elencati un controller host USB e un hub principale USB, USB è probabilmente abilitato.
 - Se questi dispositivi non sono elencati, consultare la documentazione del computer o rivolgersi al produttore del computer per ulteriori informazioni circa l'abilitazione e l'impostazione di USB.
5. Se non si è in grado di abilitare USB, usare un cavo parallelo per collegare la stampante al computer.

Problema

Quando collego un cavo USB tra la stampante e il computer, viene visualizzato un messaggio "Dispositivo sconosciuto".



Cause possibili...

- Si è accumulata elettricità statica nel cavo tra la stampante e il computer
- È possibile che il cavo USB sia difettoso



Per risolvere il problema...

1. Scollegare il cavo USB dalla stampante.
2. Scollegare il cavo di alimentazione dalla stampante.
3. Attendere circa 30 secondi.
4. Ricollegare il cavo di alimentazione alla stampante.
5. Collegare il cavo USB alla stampante.
6. Se il messaggio "Dispositivo sconosciuto" continua ad essere visualizzato nella finestra di dialogo Nuovo componente hardware individuato, sostituire il cavo USB o usare un cavo parallelo.

Problema

Quando inserisco il CD con il software della stampante ed ha inizio la copia dei file, lo schermo Copia file... indica che è impossibile trovare il file **hpzuci01.dll**.



Cause possibili...

Sono presenti tutte le seguenti condizioni:

- Si sta usando un cavo USB per collegare la stampante al computer
- Si sta usando Windows 98
- Si sta collegando più di un dispositivo alla volta



Per risolvere il problema...

1. Fare clic su **Sfoglia**.
Viene visualizzato lo schermo Apri.
2. Per trovare il file *hpzuci01.dll* selezionare il percorso seguente: **c:\Programmi\Hewlett-Packard\hpz\glue**.
3. Fare clic su **OK**.
Viene visualizzato di nuovo lo schermo Copia file... con il percorso e il nome di file corretti inseriti nel campo Copia file da....
4. Fare clic su **OK**.
5. Selezionare **Installa il software della stampante hp deskjet 9xx series**.
Viene visualizzato lo schermo di installazione di hp deskjet 9xx.
6. Fare clic su **Avanti** e poi seguire le istruzioni sullo schermo per completare l'installazione.

Dichiarazione di garanzia limitata

Regione	Software	Cartucce di stampa	Stampante
Nord America (incluso Canada)	90 giorni	90 giorni	1 anno
Asia zona Pacifico	90 giorni	90 giorni	1 anno
Europa	90 giorni	90 giorni	1 anno
America Latina	90 giorni	90 giorni	1 anno

A. Termini della garanzia

1. Hewlett-Packard (HP) garantisce che i prodotti HP sopra specificati saranno esenti da difetti di materiale e lavorazione per le durate sopra specificate, a decorrere dalla data di acquisto. Il cliente è responsabile della conservazione di una prova della data di acquisto.
2. Per i prodotti software, la garanzia di HP si applica solo in caso di mancata esecuzione delle istruzioni di programmazione. HP non garantisce per nessun prodotto che esso funzionerà senza interruzioni o errori.
3. La garanzia HP si applica solo agli eventuali difetti derivanti dall'uso normale del prodotto e non da:
 - a. modifiche oppure manutenzione inadeguata o impropria;
 - b. software, interfacce, supporti di stampa, parti o ricambi non messi in commercio o approvati di HP;
 - c. funzionamento del prodotto fuori delle specifiche di HP.
4. Per le stampanti HP, l'uso di cartucce non prodotte da HP o ricaricate con inchiostro non prodotto da HP non ha effetto né sulla garanzia fornita né su un eventuale contratto di assistenza stipulato tra il cliente e HP. Tuttavia, se un eventuale guasto o danno della stampante fosse attribuibile all'uso di una cartuccia non prodotta da HP o ricaricata con inchiostro non prodotto da HP, HP fatturerà in base alle proprie tariffe standard le ore lavorative e i materiali necessari per intervenire sulla stampante e porre rimedio allo specifico guasto o danno.
5. Se durante il periodo di garanzia HP verrà a conoscenza di un difetto di un prodotto (software, supporti di stampa o cartucce) coperto dalla garanzia HP, HP sostituirà il prodotto difettoso. Se durante il periodo della garanzia HP verrà a conoscenza di un difetto di un prodotto hardware coperto dalla garanzia HP, a sua discrezione HP sostituirà o riparerà il prodotto difettoso.
6. Se HP non fosse in grado di riparare o sostituire adeguatamente un prodotto difettoso coperto dalla garanzia HP, entro un tempo ragionevole HP rimborserà il prezzo d'acquisto del prodotto.
7. HP non ha alcun obbligo di riparare o sostituire un prodotto difettoso o rimborsarne il prezzo d'acquisto fintantoché il cliente non lo recapita ad HP.
8. I prodotti sostitutivi possono essere nuovi o come nuovi, con funzionalità almeno uguali a quelle del prodotto da sostituire.
9. La garanzia HP è valida in qualsiasi Paese in cui i prodotti HP sopra elencati sono distribuiti da HP, tranne il Medio Oriente, l'Africa, l'Argentina, il Brasile, il Messico, il Venezuela e i "Départements d'Outre Mer" della Francia. Per queste aree la garanzia è valida solo nel Paese di acquisto. I contratti per estensione della garanzia, quali gli interventi presso la sede del cliente, possono essere conclusi rivolgendosi a qualsiasi centro di assistenza HP autorizzata nei Paesi in cui il prodotto è distribuito da HP o da un distributore autorizzato.

B. Limitazioni della garanzia

1. E' ESCLUSA QUALSIASI ALTRA GARANZIA ESPRESSA O IMPLICITA, IN RELAZIONE AI PRODOTTI HP SI ESCLUDONO DA PARTE DI HP O DEI SUOI FORNITORI SPECIFICAMENTE LE GARANZIE IMPLICITE DI COMMERCIALITA', QUALITA' O IDONEITA' PER UN USO SPECIFICO.

C. Limitazioni di responsabilità

1. Le azioni offerte dalla presente garanzia sono le sole a disposizione del cliente.
2. FATTO SALVO IL CASO DI DOLO O COLPA GRAVE E QUANTO PREVISTO DALLA PRESENTE GARANZIA IN NESSUN CASO NE' HP NE' I SUOI FORNITORI SARANNO RESPONSABILI DI DANNI CONTRATTUALI O EXTRA CONTRATTUALI.

D. Norme di legge

1. La presente garanzia dà al cliente specifici diritti. Il cliente può avere anche altri diritti che variano da uno Stato all'altro degli USA, da una provincia all'altra del Canada e da un Paese all'altro.
2. La presente garanzia si sostituisce alle norme di legge italiane e ne esclude l'applicabilità. Le norme di legge locali possono non consentire nei confronti del cliente alcune esclusioni di responsabilità e limitazioni contenuti nella presente garanzia. Per esempio, alcuni Stati degli USA, come pure alcuni fuori degli USA (comprese le province del Canada) possono:
 - a. vietare che le limitazioni di responsabilità e le limitazioni contenute nella presente garanzia limitino i diritti spettanti ad un consumatore (per esempio, nel Regno Unito) per legge;

- b. limitare in altro modo la facoltà di un produttore di imporre tali rifiuti di responsabilità e limitazioni;
- c. dare al cliente ulteriori diritti di garanzia, specificare la durata di garanzie implicite che il produttore non può rifiutare o vietare limitazioni della durata di garanzie implicite.

3. PER TRANSAZIONI CON I CLIENTI CHE SI SVOLGANO IN AUSTRALIA E NUOVA ZELANDA, I TERMINI DELLA PRESENTE GARANZIA, ENTRO I LIMITI DI LEGGE, NON ESCLUDONO, LIMITANO O MODIFICANO LE NORME APPLICABILI ALLA VENDITA DEI PRODOTTI HP A TALI CLIENTI E SI AGGIUNGONO ALLA PRESENTE GARANZIA.

Garanzia HP per l'anno 2000 per prodotti consumer distribuiti tramite rivenditori

Ai sensi ed alle condizioni della Dichiarazione di garanzia HP fornita con il presente Prodotto, HP garantisce che questo Prodotto HP sarà in grado di gestire correttamente i dati relativi a date (compresi tra l'altro calcoli, comparazioni e calcoli sequenziali) in relazione al passaggio dal ventesimo al ventunesimo secolo, dal 1999 all'Anno 2000, compreso il calcolo degli anni bisestili, quando usato nel rispetto della documentazione fornita da HP (comprese eventuali istruzioni per la installazione di patches o aggiornamenti), purché tutti gli altri prodotti (hardware, software e firmware) operanti in connessione con i Prodotti HP siano in grado di scambiare correttamente con questi i dati relativi a date. La validità della presente garanzia si estende sino al 31 gennaio 2001.

Dichiarazione ambientale

La Hewlett-Packard migliora continuamente la progettazione delle stampanti deskjet per ridurre al minimo l'impatto negativo sull'ambiente di lavoro e sulle comunità dove le stampanti vengono fabbricate, spedite e utilizzate. La Hewlett-Packard ha sviluppato inoltre processi per ridurre al minimo l'impatto negativo causato dalla messa a rifiuti della stampante al termine del suo ciclo di uso.

Riduzione ed eliminazione

Uso della carta: la funzione di stampa automatica o manuale su due facciate della stampante riduce il consumo di carta e le relative conseguenze ambientali. Questa stampante è adatta all'uso di carta riciclata in conformità a DIN 19 309.

Ozono: i processi di fabbricazione della Hewlett-Packard non prevedono più l'impiego di sostanze chimiche che distruggono l'ozono, quali il CFC.

Riciclaggio

Questa stampante è stata progettata in modo da facilitare il riciclaggio del prodotto. Il numero di materiali è stato mantenuto al minimo, pur garantendo un funzionamento accurato e una affidabilità assoluta. Materiali di tipo diverso sono stati progettati in modo da facilitarne la separazione. I ganci e gli altri connettori sono facilmente individuabili, accessibili e rimovibili usando comuni utensili. I componenti più importanti sono stati progettati in modo da essere rapidamente accessibili per ottimizzarne il disassemblaggio e la riparazione. I componenti in plastica sono stati creati in non più di due colori per migliorarne le opzioni di riciclaggio. Alcuni dei componenti più piccoli sono colorati per semplificarne l'accesso da parte degli utenti.

Imballaggio della stampante: I materiali di imballaggio della stampante sono stati selezionati al fine di garantire la massima protezione a costi contenuti, nel tentativo anche di ridurre l'impatto ambientale e di facilitare il riciclaggio del materiale. La solida progettazione della stampante HP Deskjet aiuta a minimizzare sia la quantità di materiali d'imballaggio, sia la frequenza dei danni.

Componenti in plastica: tutte le principali componenti in plastica sono contrassegnate secondo gli standard internazionali. Tutte le componenti in plastica dell'involucro esterno e del telaio sono tecnicamente riciclabili e utilizzano un polimero singolo.

Durata del prodotto: per garantire una buona durata della stampante Deskjet, la HP offre quanto segue:

- **Garanzia estesa:** HP SupportPack copre l'hardware e il prodotto HP, nonché tutti i componenti interni HP inclusi nella stampante. HP SupportPack deve essere acquistato entro 30 giorni dall'acquisto della stampante. Per ulteriori informazioni su questo servizio, rivolgersi al rivenditore HP più vicino.
- **Componenti deperibili e di ricambio** sono disponibili per i cinque (5) anni successivi all'interruzione della produzione.
- **Restituzione del prodotto:** per restituire alla HP il prodotto e le cartucce di inchiostro al termine del ciclo d'uso, rivolgersi all'ufficio vendite o di assistenza clienti HP più vicino.

Consumo di energia

Questa stampante è stata progettata tenendo in considerazione il problema del risparmio energetico. In stato di attesa, questa stampante consuma in media 4 watt. Ciò consente non solo di evitare lo spreco di risorse naturali, ma anche di risparmiare denaro, senza rinunciare alle alte prestazioni tipiche di questa stampante.

Questo prodotto è conforme al programma ENERGY STAR (U.S.A. e Giappone). ENERGY STAR è un programma volontario, creato per incoraggiare lo sviluppo di prodotti per ufficio a consumo energetico ridotto.



ENERGY STAR è un marchio di servizio registrato negli U.S.A. da US EPA (Dipartimento U.S.A. di protezione ambientale). In qualità di partner nel programma ENERGY STAR, la Hewlett-Packard Company ha determinato che questo prodotto è conforme alle Direttive ENERGY STAR per il risparmio energetico.

Consumo energetico con la stampante spenta:

Anche mentre è spenta la stampante consuma una minima quantità di energia. Per evitare tale consumo energetico, spegnere la stampante e quindi scollegare il cavo di alimentazione dalla presa elettrica.

Indice

A

Adobe Acrobat Reader **5, 6**
assistente per la stampante HP **4**
assistenza clienti **7**
assistenza per telefono **9**
assistenza telefonica **10**
assistenza tramite posta elettronica **8**

C

cartucce di stampa **1, 2, 3**
cavo della stampante **2, 14, 15**
cavo, stampante **2**
compatibilità
 con altro hardware **3**
 con altro software **3**
consumo di energia **19**
contenuto della scatola della stampante **1**
contenuto, scatola della stampante **1**
contratti di assistenza **11**

D

descrizione comandi **3**
descrizione comandi di Macintosh **3**
Dichiarazione di garanzia limitata **17**
driver, della stampante **3**
driver, stampante **1, 2, 3**

E

estensione della garanzia **11, 19**

F

funzionalità della stampante **3**

G

guida
 assistenza clienti HP **7**
 assistenza per telefono **9**
 assistenza sul Web **7**
 assistenza telefonica **10**
 assistenza tramite posta elettronica **8**
 Dopo la scadenza del periodo di
 assistenza telefonica **10**
 forum per gli utenti **8**
 riparazione della stampante **11**
 soluzione di problemi di installazione **12**
guida alla rete, Windows **3**
guida sullo schermo di Windows **3**
guida, sullo schermo **3**

M

manuale dell'utente, Windows 3.1x **3**
manuale di guida rapida **3, 4, 5, 6**
Modulo di stampa automatica su due
 facciate **1**

N

note di pubblicazione **3**

P

poster di installazione rapida **1, 3**
programmi di protezione anti-virus **13**

R

ricerca di informazioni sulla stampante **3**
riciclaggio della stampante **19**
riparazione della stampante **11**

S

sistemi DOS **6**
siti Web, assistenza clienti HP **7**
software della stampante **1, 2, 3, 5**
software, stampante **2, 3**
soluzione di problemi **12**
 hpzuci01.dll non trovato **16**
 il computer non è in grado di leggere il CD
 del software **12**
 il software non viene installato
 correttamente **13**
 problemi di installazione di USB **14, 15**
soluzione di problemi di installazione **12**
specifiche della stampante **3**
stampante **15**
stampante, collegamento in rete **3**
stampante, installazione **3**

U

USB **14, 15**

Regulatory notices

hewlett-packard company

This device complies with part 15 of the FCC Rules. Operation is subject to the following two conditions:

- This device may not cause harmful interference, and
- This device must accept any interference received, including interference that may cause undesired operation.
- Pursuant to Part 15.21 of the FCC Rules, any changes or modifications to this equipment not expressly approved by Hewlett-Packard Company may cause harmful interference, and void your authority to operate this equipment. Use of a shielded data cable is required to comply with the Class B limits of Part 15 of the FCC Rules.

For further information, contact:

Hewlett-Packard Company
Manager of Corporate Product Regulations
3000 Hanover Street
Palo Alto, Ca 94304
(650) 857-1501

note

This equipment has been tested and found to comply with the limits for a Class B digital device, pursuant to part 15 of the FCC rules. These limits are designed to provide reasonable protection against harmful interference in a residential installation. This equipment generates, uses, and can radiate radio frequency energy and, if not installed and used in accordance with the instructions, can cause harmful interference to radio communications. However, there is no guarantee that interference will not occur in a particular installation. If this equipment does cause harmful interference to radio or television reception, which can be determined by turning the equipment off and on, the user is encouraged to try to correct the interference by one or more of the following measures:

- Reorient or relocate the receiving antenna.
- Increase the separation between the equipment and the receiver.
- Connect the equipment into an outlet on a circuit different from that to which the receiver is connected.
- Consult the dealer or an experienced radio/TV technician for help.

LED indicator statement

The display LEDs meet the requirements of EN 60825-1.

この装置は、情報処理装置等電波障害自主規制協議会（VCCI）の基準に基づくクラスB情報技術装置です。この装置は、家庭環境で使用することを目的としていますが、この装置がラジオやテレビジョン受信機に近接して使用されると受信障害を引き起こすことがあります。

取り扱い説明書に従って正しい取り扱いをして下さい。

사용자 안내문 (B급 기기)

이 기기는 비업무용으로 전자파장애검정을 받은 기기로서, 주거지역에서는 물론 모든 지역에서 사용될 수 있습니다.



i n v e n t

Windows
Macintosh

Snelle naslaggids
hp deskjet 990c/980c/960c series

Nederlands

Eerste druk, oktober 2000
Copyright 2000 Hewlett-Packard Company.

Handelsmerken en licenties

Microsoft, MS-DOS en Windows zijn gedeponeerde handelsmerken van Microsoft Corporation.

Adobe en Acrobat zijn gedeponeerde handelsmerken van Adobe Systems Incorporated.

Mac, Macintosh en Mac OS zijn handelsmerken van Apple Computer Inc., gedeponeerd in de V.S. en andere landen.

Kennisgeving

De informatie in dit document kan zonder kennisgeving worden veranderd.

Hewlett-Packard biedt ten aanzien van dit materiaal volstrekt geen garantie, met inbegrip van, maar niet beperkt tot, de geïmpliceerde garanties van verkoopbaarheid en geschiktheid voor een bepaald doel.

Hewlett-Packard is niet aansprakelijk voor eventuele onjuistheden of voor directe, indirecte, incidentele of gevolgschade die het gevolg zou zijn van het verstrekken of het gebruiken van deze informatie of daarmee verband zou houden.

Niets uit dit document mag worden veelevoudigd door middel van fotokopie of op enig andere wijze of worden vertaald naar een andere taal zonder voorafgaande schriftelijke toestemming van Hewlett-Packard Company.

Termen en conventies

De volgende termen en conventies worden gebruikt in de *Snelle naslaggids*:

Termen

HP Deskjet 9xx wordt gebruikt om te verwijzen naar de HP Deskjet 990c, 980c, en 960c series printers ook **HP Deskjet** wordt hiervoor gebruikt.

Symbolen

Het symbool > leidt u door een aantal softwarestappen. Bijvoorbeeld:

Klik op **Start > Programma's > hp deskjet 9xx series > uitgave-info** om deze te bekijken.

Let op

Let op geeft aan dat het risico bestaat dat de HP Deskjet-printer of andere apparatuur beschadigd raakt.

Bijvoorbeeld:

Let op! Raak de inksproeiers of de koperen contactpunten van de inktpatroon niet aan. Als u deze onderdelen aanraakt, kunnen de sproeiers verstopt raken, kunnen problemen met de inkt optreden of kunnen zich problemen met de elektrische verbindingen voordoen.

Snelle naslaggids

hp deskjet 990c/980c/960c series

Inhoudsopgave

Introductie van de hp deskjet printer	1
Inktpatronen	2
Printerkabels	2
Software updates	2
Informatie zoeken	3
Snelle hulp weergeven	4
Gebruikers van Windows 95, 98, Me, 2000 en NT 4.0	4
Gebruikers van Macintosh	5
Printerinformatie weergeven in Windows 3.1x en DOS	6
Gebruikers van Windows 3.1x	6
DOS-gebruikers	6
Contact opnemen met hp klantenondersteuning	7
Het hp ondersteuningsproces	7
E-support van hp klantenondersteuning	7
Klantenondersteuning van hp per telefoon	9
Reparaties door de hp klantenondersteuning	11
Garantieverlenging	11
Windows installatieproblemen oplossen	12
Beperkte garantie	17
Milieuverklaring	19
Index	20
Regulatory notices	binnenzijde van de achterkaft

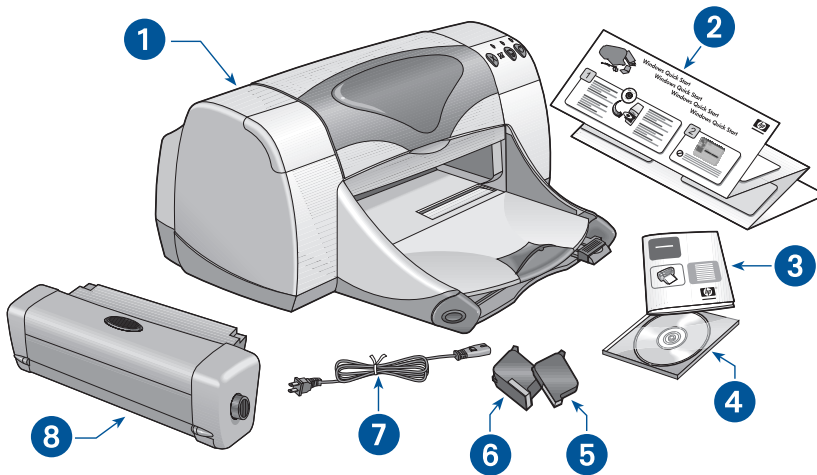
Introductie van de hp deskjet printer

Wat zit er in de doos?

Hartelijk dank voor uw aanschaf van een HP Deskjet printer. Uw printerdoos bevat het volgende:

- HP Deskjet printer (990c series, 980c series, of 960c series)
- Module voor automatisch dubbelzijdig afdrukken (mogelijk niet voor alle printermodellen beschikbaar)
- Netsnoer
- CD met printersoftware
- *Snelle naslaggids*
- *Snelle installatieposter*
- Zwarte inktpatroon
- Driekleurenpatroon

Neem contact op met uw HP dealer als een of meer van deze items ontbreekt uit uw doos, of met HP klantenondersteuning. Raadpleeg "Contact opnemen met de hp klantenondersteuning" voor meer informatie.



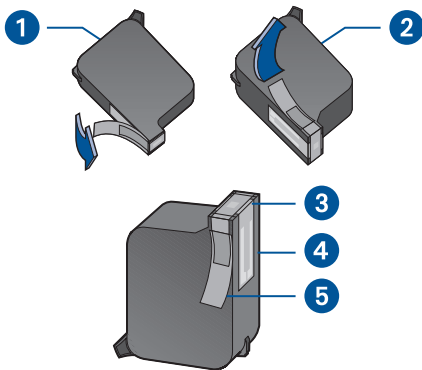
1. Printer 2. *Snelle installatieposter* 3. *Snelle naslaggids* 4. Printersoftware 5. Zwarte inktpatroon
6. Driekleurenpatroon 7. Netsnoer 8. Module voor automatisch dubbelzijdig afdrukken (niet voor alle printermodellen beschikbaar)

Inkpatronen

De doos van de HP Deskjet printer bevat zowel een zwarte als een kleureninktpatroon. Alle dozen van inktpatronen en de elektronische handleiding voor *Snelle hulp* bevatten installatie-instructies.

Let er bij het vervangen van een inktpatroon op, dat u het juiste onderdeelnummer heeft:

- Zwart—hp 45 (hp 51645a)
- Driekleuren—hp 78 (hp c6578d)
- Driekleuren, groot—hp 78 (hp c6578a)



1. Zwarte inktpatroon
2. Driekleurenpatroon
3. Inksproeiers
4. Koperen contactpunten
5. Beschermende vinyltape

Let op! Raak de inksproeiers of de koperen contactpunten van de inktpatroon niet aan als u deze vervangt. Als u deze onderdelen aanraakt, kunnen de sproeiers verstopt raken, kunnen problemen met de inkt optreden of kunnen zich problemen met de elektrische verbindingen voordoen. Bovendien mag u de koperen strips niet verwijderen. Dit zijn vereiste elektrische contactpunten.

Printerkabels

Er is geen printerkabel in de doos bijgesloten. Koop een van de volgende kabels om de printer op uw computer aan te sluiten:

- Een parallelle interface kabel, compatibel met IEEE 1284, kan worden gebruikt met alle Windows-systemen
- Een interface kabel, compatibel met USB, kan worden gebruikt door zowel Macintosh systemen als Windows 98, Me en 2000 systemen.

Software updates







Printersoftware, ook wel printerstuurprogramma genoemd, geeft uw afdrukopdrachten door aan de printer. Gebruik een van de volgende methoden om kopieën of updates van de printersoftware te verkrijgen:

- Download de printersoftware van de website van HP.
- Bel HP klantenondersteuning om een CD aan te vragen waarop de updatebestanden van de software staan.

Raadpleeg "Contact opnemen met de hp klantenondersteuning" voor telefoonnummers en website adressen van de klantenondersteuning.

Informatie zoeken

Er zijn verschillende documenten bij de HP Deskjet printer bijgesloten. Deze bevatten instructies over het installeren van de printersoftware, het bedienen van de printer en het zoeken van hulp als dit nodig is. Hieronder wordt aangegeven waar specifieke informatie is te vinden.

Voor informatie over...	raadpleeg...	platform
Printer installeren en printersoftware installeren	 <p><i>Snelle installatieposter</i></p>	Windows (alle versies) en Macintosh
Printerfuncties, specificaties, onderhoud, inktpatronen, afdrukken en oplossen van printerproblemen	 <p><i>Snelle hulp</i> (Raadpleeg "Snelle hulp weergeven" voor meer informatie)</p> <p><i>Handleiding</i> (Raadpleeg "Printerinformatie weergeven in Windows 3.1x en DOS" voor informatie)</p>	Windows (alle versies) en Macintosh
Inhoud van de printerdoos HP klantenondersteuning, garantie-informatie en installatieproblemen oplossen	 <p><i>Snelle naslaggids</i></p>	Windows (alle versies) en Macintosh
De printer aansluiten op een netwerk	 <p><i>HP handleiding voor Windows netwerken</i></p>	Windows (alle versies behalve 3.1)
Hardware en software compatibiliteit met de printer	 <p>HP deskjet <i>uitgave -info</i> Klik op Start > Programma's > hp deskjet 9xx series > om de Uitgave-info te bekijken.</p>	Windows (alle versies behalve 3.1)
Weergave-opties in de printersoftware	 <p><i>Wat is dit?</i> help (Windows) Klik met de rechter muisknop in het relevante scherm.</p> <p>Help-ballonnen (Macintosh) Klik met de muisknop in het relevante scherm.</p>	Windows (alle versies behalve 3.1) en Macintosh

Snelle hulp weergeven

De elektronische handleiding, *Snelle hulp*, biedt instructies voor het gebruik van de HP Deskjet printer. Deze biedt ook informatie om u te helpen eventuele printerproblemen op te lossen.

Gebruikers van Windows 95, 98, Me, 2000 en NT 4.0

Open *Snelle hulp* via de hp printerassistent, een functie die tevens het volgende biedt:

- Hulp via HP klantenondersteuning
- Afdrukideeën
- Verkoopkoppelingen naar andere HP producten
- Koppelingen naar printersoftware updates

Een pictogram van de printerassistent wordt weergegeven op het Windows bureaublad nadat u de printersoftware heeft geïnstalleerd.

Snelle hulp gebruiken

Snelle hulp bereikt u als volgt:

1. Dubbelklik op het pictogram **hp printerassistent** op het bureaublad.



990c

printerassistent

De hp printerassistent verschijnt.

2. Klik op de knop **Snelle hulp** om de onderwerpen van de handleiding weer te geven.

U kunt tevens *snelle hulp* openen vanuit het menu Start door achtereenvolgens op **Start > Programma's > hp deskjet 9xx series > 9xx printerassistent > snelle hulp** te klikken.

Adobe Acrobat versies van *Snelle hulp*

De handleiding voor *Snelle hulp* is tevens beschikbaar in de volgende talen:

- Arabisch
- Bahasa Indonesia
- Bulgaars
- Estisch
- Grieks
- Hebreeuws
- Kazaks
- Kroatisch
- Litouws
- Roemeens
- Sloveens
- Slowaaks
- Turks

Ga als volgt te werk als u de handleiding in een van deze talen wilt bekijken:

1. Dubbelklik op het pictogram **hp printerassistent** op het bureaublad.
2. Klik op de knop **Snelle hulp** in het venster van de hp printerassistent.
3. Selecteer **Er is Snelle hulp beschikbaar in andere talen** onderaan het venster *Snelle hulp*.
4. Plaats de cd met printersoftware in het cd-rom-station van de computer.
5. Selecteer uw taal uit de lijst die verschijnt.
 - Als Acrobat Reader is geïnstalleerd op uw computer, wordt de *Snelle hulp* weergegeven.
 - Als Acrobat Reader niet geïnstalleerd is op uw computer, wordt deze automatisch geïnstalleerd en wordt vervolgens de *Snelle hulp* weergegeven.

Gebruikers van Macintosh

Op Macintosh computers heeft u Adobe Acrobat Reader nodig om de handleiding voor *Snelle hulp* te kunnen weergeven. Als u Acrobat Reader niet heeft, kunt u het installeren vanaf de cd met printersoftware.

Snelle hulp openen:

1. Plaats de cd met printersoftware in het cd-rom-station van de computer.
Het hp deskjet scherm wordt weergegeven.
2. Selecteer de map met de **Handleiding** voor uw taal.
3. Voer een van de volgende handelingen uit:
 - Dubbelklik op het pictogram **Elektronische handleiding** als Acrobat Reader is geïnstalleerd op uw computer.



Elektronische handleiding

- Dubbelklik op het pictogram **Acrobat Reader 4.0** als Acrobat Reader nog niet is geïnstalleerd op uw computer.



Acrobat Reader 4.0

Adobe Acrobat Reader wordt automatisch geïnstalleerd. Nadat het is geïnstalleerd, dubbelklikt u op het pictogram **Elektronische handleiding** om de *Snelle hulp* weer te geven.

Printerinformatie weergeven in Windows 3.1x en DOS

Gebruikers van Windows 3.1x

In Windows 3.1x systemen, wordt informatie over de bediening van de printer opgeslagen in een elektronische *Handleiding*. Deze optie is alleen beschikbaar bij de HP Deskjet 990c series printers.

U heeft Adobe Acrobat Reader nodig om de *Handleiding* te kunnen weergeven. Als u geen Acrobat Reader heeft, kunt u het vanaf de CD met printersoftware installeren.

De *Handleiding* openen:

1. Plaats de cd met printersoftware in het cd-rom-station van de computer.
2. Selecteer **Bestand** > **Uitvoeren** in Bestandsbeheer.
3. Typ **d:\setup.exe**.
Vervang, indien nodig, "d" door de letter van uw cd-rom-station.
4. Klik op **OK**.
Het hp deskjet scherm wordt weergegeven.
5. Selecteer **Handleiding weergeven**.
 - Als Acrobat Reader is geïnstalleerd op uw computer, wordt de *Handleiding* weergegeven.
 - Als Acrobat Reader niet is geïnstalleerd op uw computer, volgt u de installatie-instructies op het scherm. Als Acrobat Reader eenmaal is geïnstalleerd, selecteert u **Handleiding weergeven**.

DOS-gebruikers

In DOS-besturingssystemen wordt informatie over de HP Deskjet printer opgeslagen in een tekstdocument genaamd *dosread.txt*. Dit bestand staat op de printer software CD in de directory \`<taalcode>\djcp\`. Vervang `<taalcode>` door de juiste code uit onderstaande lijst. Om het bestand bijvoorbeeld in het Engels te lezen, opent u *dosread.txt* in de directory `\enu\djcp`.

Voor deze taal...	Gebruik deze code...
Bahasa Indonesia	bin
Bulgaars	bul
Chinees, vereenvoudigd	chs
Chinees, traditioneel	cht
Tjechisch	csty
Deens	dan
Duits	deu
Engels	enu
Spaans	esm
Fins	fin
Frans	fra
Hongaars	hun
Italiaans	ita
Japans	jpn
Koreaans	kor
Kazaks	kzh
Nederlands	nld
Noors	non
Pools	plk
Portugees	ptb
Russisch	rus
Zweeds	svc
Thai	tha

Contact opnemen met hp klantenondersteuning

HP klantenondersteuning kan altijd deskundig advies geven over het gebruik van uw HP Deskjet printer of een probleem helpen oplossen. Er zijn verschillende manieren om hulp te krijgen. Hierdoor krijgt u op het juiste moment de hulp die u nodig heeft!

Het hp ondersteuningsproces

Het ondersteuningsproces van HP werkt het best als u in deze volgorde hulp zoekt:

1. Gebruik *Snelle hulp*.
Raadpleeg "*Snelle hulp* weergeven" voor meer informatie.
2. Ga naar E-support van HP klantenondersteuning.
Gebruik uw Internet-verbinding op elk gewenst moment voor het volgende:
 - Ga naar de ondersteuningspagina's van HP op het Web voor hulp bij een product.
 - Lees de boodschappen op de HP gebruikersforums of stuur een vraag in
 - Stuur een e-mailbericht naar HP.
Raadpleeg "E-support van hp klantenondersteuning" voor meer informatie.
3. Bel tijdens openingsuren met HP klantenondersteuning.
Raadpleeg "Klantenondersteuning van hp per telefoon" voor meer informatie.

N.B. Ondersteuningsmogelijkheden en de beschikbaarheid hiervan verschillen per product, land/regio en taal.

E-support van hp klantenondersteuning

E-support van hp klantenondersteuning biedt online ondersteuning zo lang als u in het bezit bent van uw HP printer. U krijgt direct toegang tot ondersteuningsinformatie, nuttige afdruktips en de meest recente updates van het printersoftware (ook printerstuurprogramma's genoemd) 24 uur per dag, zeven dagen per week en geheel kosteloos.

Websites ondersteund door hp

Als u een modem heeft aangesloten op uw computer en abonnee bent van een Internet-aanbieder of directe toegang heeft tot Internet, kunt u uitgebreide informatie krijgen over uw printer. Ga hiervoor naar de websites die op de volgende pagina staan.

Als het land of de taal die u nodig heeft er niet bij staat, kunt u naar de online HP klantenondersteuning gaan op www.hp.com/apcpo-support/regional.html om te zien of er een website in uw taal beschikbaar is.

Voor deze taal...	gebruikt u deze website...
Chinees, traditioneel	http://taiwan.support.hp.com
Chinees, vereenvoudigd	http://www.hp.com.cn/go/support
Duits	http://www.hp.com/cposupport/de
Engels	http://www.hp.com/go/support
Frans	http://www.hp.com/cposupport/fr
Japans	http://www.jp.hp.com/CPO_TC/eschome.htm
Koreaans	http://www.hp.co.kr/go/support
Portugees	http://www.hp.com/cposupport/pt
Spaans	http://www.hp.com/cposupport/es
Zweeds	http://www.hp.com/cposupport/sv

Ga naar de HP gebruikersforums en de e-mail van de HP klantenondersteuning vanaf de HP klantenondersteuning website. Ga naar de website en selecteer de printeropties voor uw printer. Als het scherm van de hp klantenondersteuning verschijnt, klikt u op **Ga naar HP**.

hp gebruikersforums

In de online gebruikersforums van HP klantenondersteuning kunt u de vragen en antwoorden lezen van andere HP gebruikers om een oplossing te vinden voor uw probleem. U kunt ook uw eigen vraag stellen en de site later bezoeken voor ideeën en suggesties van ervaren gebruikers en forummoderators.

hp klantenondersteuning per e-mail

Met één-op-één e-mail krijgt u direct antwoord op uw vragen van een servicetechnicus van HP klantenondersteuning. Vul uw vragen in op het webformulier en u krijgt antwoord per e-mail. (normaal gesproken wordt binnen 48 uur antwoord gegeven, behalve tijdens feestdagen.) E-mailondersteuning is een uitstekende oplossing voor technische vragen of als u een antwoord nodig heeft dat is toegesneden op uw specifieke systeem.

Klantenondersteuning van hp per telefoon

Binnen de periode van telefonische ondersteuning biedt HP kosteloos ondersteuning per telefoon voor uw printer. (De standaardtelefoonkosten zijn echter van toepassing.) De onderstaande lijst bevat de periode van telefonische ondersteuning voor uw regio.

Periode van gratis telefonische ondersteuning

Regio	Telefonische ondersteuning*
Noord-Amerika—met inbegrip van Canada	1 jaar
Azië (Stille Oceaan)	1 jaar
Europa	30 dagen
Latijns Amerika	1 jaar

*Standaardtelefoonkosten zijn van toepassing.

Voordat u belt

Probeer de volgende gratis ondersteuningsmogelijkheden, voordat u belt voor hulp:

- *Snelle hulp*
- *Snelle installatieposter*
- E-support van HP klantenondersteuning.

Als u het probleem niet op deze manieren kunt oplossen, belt u een servicetechnicus van de HP klantenondersteuning terwijl u zich achter uw computer en printer bevindt. Als u snellere service wilt, zorgt u ervoor dat u kunt aangeven wat u heeft geprobeerd om het probleem op te lossen.

Bovendien heeft HP de volgende informatie nodig om u te kunnen helpen:

- Het printermodelnummer (het label bevindt zich aan de voorkant van de printer)
- Het serienummer van de printer (het label bevindt zich aan de onderkant van de printer)
- Het besturingssysteem van de computer
- De versie van het printerstuurprogramma (ook wel printersoftware genoemd)
- Berichten die werden weergegeven toen het probleem zich voordeed
- Antwoorden op deze vragen:
 - Is dit eerder gebeurd? Kunt u het probleem opnieuw laten optreden?
 - Wanneer is dit gebeurd? Heeft u hardware of software toegevoegd rond de tijd dat dit probleem ontstond?

Telefoonnummers voor ondersteuning

Als u hulp nodig heeft bij het oplossen van een probleem, neemt u contact op met HP klantenondersteuning via een van de telefoonnummers in de tabel rechts. Als het telefoonnummer voor uw regio er niet bij staat, raadpleegt u de website van HP op www.hp.com/cpsosupport/guide/psd/cscinfo.htm.

Na de periode van gratis telefonische ondersteuning

Na de periode van gratis telefonische ondersteuning kunt u tegen vergoeding nog steeds hulp van HP krijgen. Tarieven kunnen zonder kennisgeving veranderd worden.

(E-support van HP klantenondersteuning is echter altijd gratis beschikbaar! Raadpleeg "E-support van hp klantenondersteuning" voor meer informatie.)

- Voor telefoongesprekken in de Verenigde Staten die korter duren dan 10 minuten, belt u (900) 555-1500. De kosten zijn US \$2,50 per minuut en beginnen zodra u verbinding maakt met een servicetechnicus. De kosten worden niet hoger dan US \$25.
- Als u belt vanuit de V.S. en denkt dat het gesprek langer dan tien minuten gaat duren of vanuit Canada, belt u (800) 999-1148. De kosten zijn US \$25 per gesprek, ten koste van uw Visa-card of MasterCard.

Als HP tijdens het telefoongesprek bepaalt dat uw printer moet worden gerepareerd en de beperkte garantie is nog geldig, hoeft u niet te betalen voor de telefonische ondersteuning.

Voor deze regio...	gebruikt u dit telefoonnummer...
Argentinië	+54 0810 555 5520
Australië	+61 3 8877 8000
België (Frans)	+32 (0) 2 626 88 07
België (Nederlands)	+32 (0) 2 626 88 06
Brazilië, binnen Sao Paulo en voorsteden	+55 3747 7799
Brazilië, buiten Sao Paulo en voorsteden	+55 0800 15 7751
Canada	1 (905) 206 4663
Chili	+56 800 36 0999
China	+86 (0) 10 6564 5959
Denemarken	+45 (0) 39 29 4099
Duitsland	+49 (0) 180 52 58 143
Engels Internationaal	+44 (0) 207 512 5202
Filippijnen	+66 (2) 867 3551
Finland	+358 (0) 203 4 7 288
Frankrijk	+33 (0) 1 43 62 34 34
Griekenland	+30 (0) 1 619 64 11
Hong Kong	+852 (800) 96 7729
Hongarije	+36 (0) 1382 1111
Ierland	+353 (0) 1662 5525
India	+91 11 682 60 35
Indonesië	+62 (21) 350 3408
Israël	+972 (0) 9 9524848
Italië	+39 (0) 2 264 10350
Japan	+81 (0) 3 3335 8333
Korea	+82 (2) 3270 0700
Korea, buiten Seoel	+82 080 999 0700
Maleisië	+60 (3) 2952566
Maleisië, Penang	+60 1 300 88 00 28
Mexico	01 800 472 6684

Voor deze regio...	gebruikt u dit telefoonnummer...
Midden-Oosten, Dubai	+971 4 883 8454
Nederland	+31 (0) 20 606 8751
Nieuw-Zeeland	+64 (9) 356 6640
Noorwegen	+47 22 116299
Oostenrijk	+43 (0) 810 00 6080
Polen	+48 22 519 06 00
Portugal	+351 21 317 6333
Republiek Zuid-Afrika, binnen RSA	+27 086 000 1030
Republiek Zuid-Afrika, buiten RSA	+27 11 258 9301
Rusland, Moskou	+7 095 797 3520
Rusland, St. Petersburg	+7 812 346 7997
Singapore	+65 272 5300
Spanje	+34 9 02321 123
Taiwan	+886 2 2717 0055
Thailand	+66 (2) 661 4000
Tsjechië	+42 02 6130 7310
Turkije	+90 (0) 212 221 6969
V.S.	1 (208) 344 4131
Venezuela	+ 58 800 47 888
Verenigd Koninkrijk	+44 (0) 207 512 5202
Vietnam	+84 (0) 8 823 4530
Zweden	+46 (0) 8 6192170
Zwitserland	+41 (0) 84 8801111

Reparaties door de hp klantenondersteuning

Als uw HP printer moet worden gerepareerd, neemt u contact op met de telefonische ondersteuning van HP klantenondersteuning. (Raadpleeg de telefoonnummers voor ondersteuning door HP op de vorige pagina.) Een ervaren servicetechnicus van

HP klantenondersteuning stelt dan een diagnose van het probleem en coördineert de reparatieprocedure voor u.

De klantenondersteuning zoekt de best mogelijke oplossing voor u. Dat kan een reparatie betekenen door een geschoolde servicetechnicus of door een HP kantoor. Deze service is kosteloos gedurende de periode van de beperkte garantie van de printer. Na de garantieperiode worden de reparatiekosten in rekening gebracht.

Garantieverlenging

Als u de duur van de beperkte garantie op uw printer wilt verlengen, kunt u het volgende doen:

- Neem contact op met uw wederverkoper om de garantie te verlengen. Als u HP wederverkopers in de V.S. zoekt, gaat u naar de service locator van HP op **www.hp.com/service_locator**.
- Als uw wederverkoper geen servicecontracten afsluit, kunt u direct contact opnemen met HP voor informatie over onze serviceovereenkomsten. In de V.S. belt u daarvoor met het telefoonnummer (800) 446-0522 en in Canada met het telefoonnummer (800) 268-1221. Voor HP serviceovereenkomsten buiten de V.S. en Canada kunt u contact opnemen met een HP verkoopkantoor in uw land.

Windows installatieproblemen oplossen

Raadpleeg de informatie in dit gedeelte als u problemen ondervindt bij het installeren van uw printer. Als u hulp nodig heeft nadat de printer is geïnstalleerd, raadpleegt u de elektronische handleiding voor *Snelle hulp*.

Wat is het probleem?

Ik heb de installatie-cd in het station geplaatst, maar de computer kon deze niet lezen.



Mogelijke oorzaken...

- De cd is onjuist in het cd-rom-station geplaatst
- De cd is beschadigd
- De cd-rom is beschadigd



Het probleem oplossen...

Plaats de cd opnieuw in het cd-rom-station. Let erop dat de cd op de juiste wijze in het station wordt geplaatst.

Als de installatie niet binnen enkele seconden begint, kan zowel de cd als het cd-rom-station beschadigd zijn.



Plaats een andere cd in het cd-rom-station.

Als een andere cd werkt, heeft u wellicht een beschadigde cd.

Als u geen enkele cd kunt afspelen, moet u wellicht uw cd-rom-station vervangen of repareren.



Vervang de beschadigde cd door de printersoftware (ook wel printerstuurprogramma genoemd) te downloaden van de HP website.

Als u geen Internet-toegang heeft, neem dan contact op met HP klantenondersteuning om de software op cd te bestellen. Raadpleeg "Contact opnemen met de HP klantenondersteuning" voor het telefoonnummer van de dichtstbijzijnde HP klantenondersteuning.

Wat is het probleem?

De printersoftware is niet juist geïnstalleerd.

Mogelijke oorzaken...

- Er is mogelijk een conflict met uw virusbeschermingsprogramma
- Er is mogelijk een conflict met een ander softwareprogramma
- Er is mogelijk een conflict met een op uw printer aangesloten randapparaat

Het probleem oplossen...

Verwijder de geïnstalleerde printersoftware van de computer.

Voor Windows 95, 98, Me, NT 4.0, en 2000:
1. Klik op **Start > Programma's > hp deskjet 9xx series > hp deskjet 9xx series ongedaan maken**.
2. Volg de aanwijzingen op het computerscherm.

Voor Windows 3.1x:
1. Open de programmagroep **hp deskjet 9xx series**.
2. Dubbelklik op het pictogram **Ongedaan maken** van de hp deskjet 9xx series.
3. Volg de instructies op het computerscherm.

- Sluit alle softwareprogramma's af (inclusief virusbeschermingsprogramma's).
- Maak alle randapparaten los die een parallelle printerkabel gebruiken (zoals een scanner of tape backup-systeem).

Installeer de printersoftware opnieuw. Raadpleeg de *Snelle installatieposter*.

Als u nog steeds problemen ondervindt met de software-installatie, kunt u contact opnemen met HP klantenondersteuning. Raadpleeg "Contact opnemen met de hp klantenondersteuning"

Wat is het probleem?

Als ik een USB-kabel aansluit tussen de printer en de computer, verschijnt de wizard Nieuwe Hardware niet.

Mogelijke oorzaken...

U gebruikt mogelijk geen Windows 98, Me of 2000.

De USB-kabel is mogelijk niet juist aangesloten.

De computer is mogelijk niet voorbereid voor USB.

Het probleem oplossen...

Zorg ervoor dat Windows 98, Me of 2000 wordt uitgevoerd. Als u geen Windows 98, Me of 2000 heeft, moet u een parallelle kabel gebruiken.

1. Maak de USB-kabel los van uw printer en sluit deze weer aan.
2. Zorg ervoor dat de kabel stevig vast zit.

In Windows 98, Me of 2000:

1. Klik op **Start > Instellingen > Configuratiescherm**.
2. Dubbelklik op het pictogram **Systeem**.
3. Selecteer de tab **Apparaatbeheer**.
4. Klik op het pictogram plus (+) naast de optie Universele seriële buscontroller.
 - Als een USB-hostcontroller en een USB-hub worden weergegeven, is USB waarschijnlijk ingeschakeld.
 - Als deze apparaten niet worden weergegeven, raadpleeg dan de documentatie van uw computer, of neem contact op met de fabrikant van de computer voor meer informatie over het inschakelen en installeren van USB.
5. Gebruik een parallelle kabel om de printer aan te sluiten op de computer als u USB niet kunt inschakelen.

Wat is het probleem?

Als ik een USB-kabel aansluit tussen de printer en de computer, verschijnt een bericht "Onbekend apparaat".



Mogelijke oorzaken...

- Statische elektriciteit heeft zich opgehoopt in de kabel tussen de printer en de computer.
- U heeft mogelijk een defecte USB-kabel.



Het probleem oplossen...

1. Ontkoppel de USB-kabel van de printer.
2. Ontkoppel het netsnoer van de printer.
3. Wacht ongeveer 30 seconden.
4. Sluit het netsnoer weer op de printer aan.
5. Sluit de USB-kabel aan op de printer.
6. Vervang de USB-kabel of gebruik een parallelle kabel als "Onbekend apparaat" blijft verschijnen in het dialoogvenster Nieuwe hardware gevonden.

Wat is het probleem?

Als ik de cd met printersoftware in het station plaats en de bestanden worden gekopieerd, geeft het scherm Bezig met het kopiëren van bestanden... aan dat het bestand **hpzuci01.dll** niet kan worden gevonden.



Mogelijke oorzaken...

De volgende situaties zijn van toepassing:

- U gebruikt een USB-kabel om de printer aan te sluiten op de computer.
- U gebruikt Windows 98.
- U sluit meer dan een apparaat tegelijkertijd aan.



Het probleem oplossen...

1. Klik op **Bladeren**.
Het scherm Openen wordt weergegeven.
2. Selecteer het volgende pad om het bestand *hpzuci01.dll* te vinden: **c:\Program Files\Hewlett-Packard\hpz\glue**.
3. Klik op **OK**.
Het scherm Bezig met kopiëren van de bestanden.... verschijnt opnieuw, met het juiste pad en bestandsnaam in het veld Bestanden kopiëren van....
4. Klik op **OK**.
5. Selecteer **HP deskjet 9xx series printersoftware installeren**.
Het scherm hp deskjet 9xx installer verschijnt.
6. Klik op **Volgende**, en volg de instructies op het scherm installatie te voltooien.

Beperkte garantie

Regio	Software	Inktpatronen	Printer
Noord-Amerika (met inbegrip van Canada)	90 dagen	90 dagen	1 jaar
Azië (Stille Oceaan)	90 dagen	90 dagen	1 jaar
Europa	90 dagen	90 dagen	1 jaar
Latijns Amerika	90 dagen	90 dagen	1 jaar

A. Geldigheid van de beperkte garantie

1. Hewlett-Packard (HP) garandeert aan de eindgebruiker, gedurende de hierboven aangegeven tijdsduur die begint op de dag van aankoop door de klant, dat het hierboven aangegeven product van HP vrij is van materiaal- en fabricagefouten. Voor de toepassing van deze garantie moet de klant het bewijs waaruit de datum van aankoop blijkt kunnen overleggen.
2. Met betrekking tot softwareproducten is de beperkte garantie van HP uitsluitend geldig voor het niet kunnen uitvoeren van programmeringsinstructies. HP biedt geen garantie dat de werking van enig product ononderbroken of vrij van fouten zal zijn.
3. De beperkte garantie van HP geldt alleen voor defecten die zich voordoen als resultaat van een normaal gebruik van het product en is niet van toepassing op het volgende:
 - a. verkeerd of ondeskundig onderhoud of aanpassing;
 - b. software, interface-apparatuur, afdruk materiaal, onderdelen en benodigdheden die niet door HP geleverd zijn of ondersteund worden;
 - c. gebruik in afwijking van de specificaties van het product.
4. In het geval van printerproducten van HP wordt de garantie aan de klant en een eventueel servicecontract met HP niet beïnvloed door gebruik van inktpatronen of opnieuw gevulde inktpatronen die niet van HP afkomstig zijn. Als echter een defect aan of beschadiging van de printer toegewezen kan worden aan gebruik van een (opnieuw gevulde) inktpatroon die niet van HP afkomstig is, zal HP de gebruikelijke tijd en materiaalkosten voor het repareren van de printer voor het betreffende defect of de betreffende beschadiging in rekening brengen.
5. Als HP tijdens de van toepassing zijnde garantieperiode kennisgeving ontvangt van een defect in een softwareproduct, in afdruk materiaal of in een inktpatroonproduct dat onder de garantie van HP valt, wordt het defecte product door HP vervangen. Als HP tijdens de van toepassing zijnde garantieperiode kennisgeving ontvangt van een defect in een hardware-product dat onder de garantie van HP valt, wordt naar goeddunken van HP het defecte product door HP gerepareerd of vervangen.
6. Als het defecte product niet door HP respectievelijk gerepareerd of vervangen kan worden, zal HP de aankoopprijs voor het defecte product dat onder de garantie valt, terugbetalen binnen een redelijke termijn nadat HP kennisgeving van het defect heeft ontvangen.
7. HP is niet verplicht tot reparatie, vervanging of terugbetaling tot de klant het defecte product aan HP geretourneerd heeft.
8. Een eventueel vervangingsproduct mag nieuw of bijna-nieuw zijn vooropgesteld dat het ten minste dezelfde functionaliteit bezit als het product dat vervangen wordt.
9. De beperkte garantie van HP is geldig in ieder land waar het gegarandeerde product door HP wordt gedistribueerd, met uitzondering van het Midden-Oosten, Afrika, Argentinië, Brazilië, Mexico, Venezuela en de tot Frankrijk behorende zogenoemde "Départements d'Outre Mer". Voor de hierboven als uitzondering vermelde landen, is de garantie uitsluitend geldig in het land van aankoop. Contracten voor extra garantieservice, zoals service op de locatie van de klant, zijn verkrijgbaar bij ieder erkend HP-servicekantoor in landen waar het product door HP of een erkende importeur wordt gedistribueerd.

B. Beperkingen op de garantie

1. VOOR ZOVER BIJ DE PLAATSELIJKE WETGEVING TOEGESTAAN BIJEN NOCH HP, NOCH DERDE LEVERANCIERS ENIGE OVERIGE EXPLICIETE OF IMPLICIETE GARANTIE OF CONDITIE MET BETREKKING TOT DE PRODUCTEN VAN HP EN ONTKENNEN ZIJ SPECIFIEK DE IMPLICIETE GARANTIES EN CONDITIES OP VERKOOPBAARHEID, TEVREDENSTELLLENDE KWALITEIT EN GESCHIKTHEID VOOR EEN BEPAALD DOEL.

C. Aansprakelijkheidsbeperking

1. Voor zover bij de plaatselijke wetgeving toegestaan is het verhaal dat in deze beperkte garantie wordt toegestaan het enige en exclusieve verhaal voor de klant.

2. VOOR ZOVER BIJ DE PLAATSELIJKE WETGEVING TOEGESTAAN, MET UITZONDERING VAN DE SPECIFIEKE VERPLICHTINGEN ZOALS AANGEGEVEN IN DEZE GARANTIEVERKLARING, ZIJN HP EN DERDE LEVERANCIERS IN GEEN GEVAL AANSPRAKELIJK VOOR DIRECTE, INDIRECTE, SPECIALE EN INCIDENTELE SCHADE OF GEVOLGSCHADE OP BASIS VAN EEN EVENTUEEL CONTRACT, VAN BENADELING OF VAN ENIG ANDERE JURIDISCHE THEORIE EN ONAFHANKELIJK VAN EVENTUELE KENNISGEVING VAN DE MOGELIJKHEID TOT DERGELIJKE SCHADE.

D. Plaatselijk recht

1. Deze garantieverklaring biedt de klant specifieke juridische rechten. Verder kan de klant over overige rechten beschikken die in de V.S. van staat tot staat, in Canada van provincie tot provincie en elders van land tot land kunnen verschillen.

2. Tot de mate waarin deze garantieverklaring niet overeenstemt met het plaatselijk recht, zal deze garantieverklaring als aangepast en in overeenstemming met dergelijk plaatselijk recht worden beschouwd. In het kader van dergelijk plaatselijk recht is het mogelijk dat bepaalde voorwaarden en beperkingen in deze garantieverklaring niet op de klant van toepassing zijn. Sommige staten in de V.S. en sommige overheden buiten de Verenigde Staten (inclusief provincies in Canada) kunnen:

a. voorwaarden en beperkingen in deze garantieverklaring als tenietgedaan beschouwen ter bescherming van de wettelijk voorgeschreven rechten van de klant (b.v. in het Verenigd Koninkrijk);

b. anderszijds de mogelijkheid van een fabrikant voor het doen gelden van dergelijke beperkingen of voorwaarden beperken; of

c. de klant verdere garantierechten bieden, de tijdsduur vaststellen van een impliciete garantie die niet door de fabrikant ontkend kan worden en beperkingen op de tijdsduur van impliciete garanties tenietdoen.

3. MET BETREKKING TOT DOOR KLANTEN IN AUSTRALIË EN NIEUW-ZEELAND GEPLEEGDE TRANSACTIES MOGEN, BEHALVE VOOR ZOVER BIJ DE WET TOEGESTAAN, DE WETTELIJK VOORGESCHREVEN, OP DE AANKOOP VAN PRODUCTEN VAN HP AAN DERGELIJKE KLANTEN VAN TOEPASSING ZIJNDE RECHTEN DOOR DE VOORWAARDEN IN DEZE GARANTIEVERKLARING NIET TENIETGEDAAN, BEPERKT OF VERANDERD WORDEN EN WORDEN DEZE VOORWAARDEN OP DERGELIJKE RECHTEN ALS EEN AANVULLING BESCHOUWD.

HP jaar 2000 garantie

Met toepassing van de voorwaarden van de Hewlett-Packard garantieverklaring dat bij dit HP product wordt meegeleverd, garandeert HP dat dit HP product accuraat data gegevens zal verwerken, met inbegrip van, maar niet beperkt tot, berekenen, vergelijken en sorteren, van, naar en tussen de twintigste en een-en-twintigste eeuw, en de jaren 1999 en 2000, met inbegrip van schrikkeljaar berekeningen, mits het HP product wordt gebruikt in overeenstemming met de HP product documentatie, inclusief elke instructie voor de installatie van 'patches' of 'upgrades', op voorwaarde dat alle andere producten (bijvoorbeeld: hardware, software, firmware) die worden gebruikt in combinatie met dit HP product op juiste wijze data gegevens uitwisselen met dit HP product. Deze garantie is geldig tot en met 31 januari, 2001.

Milieuverklaring

Hewlett-Packard streeft voortdurend naar verbetering in de ontwerpprocessen van de deskjet printers om zodoende de negatieve effecten te verminderen op de kantooromgeving en op de gemeenschappen waar printers worden geproduceerd, verzonden en gebruikt. Hewlett-Packard heeft tevens methoden ontwikkeld die de negatieve effecten verminderen van het verwerken aan het einde van de levensduur van de printer.

Vermindering en eliminatie

Papiergebruik: De mogelijkheid van de printer tot automatisch/handmatig dubbelzijdig afdrukken vermindert papiergebruik en belast hierdoor de natuurlijke hulpbronnen minder. Deze printer is geschikt voor het gebruik van kringlooppapier volgens DIN 19 309.

Ozon: Chemicaliën die ozon afbreken, zoals CFK's, komen niet voor bij de fabricageprocessen van Hewlett-Packard.

Recyclen

Bij het ontwerpen van deze printer is rekening gehouden met recyclen. Het aantal materialen is tot een minimum beperkt, zonder dat dit ten koste gaat van de functionaliteit en de betrouwbaarheid. De verschillende materialen zijn ontworpen om eenvoudig te kunnen worden gescheiden. Bevestigingen en andere aansluitingen zijn eenvoudig te vinden, te bereiken en te verwijderen met normale gereedschappen. Belangrijke onderdelen zijn zo ontworpen dat deze eenvoudig zijn te bereiken waardoor demontage en reparatie efficiënter worden. Kunststof onderdelen zijn hoofdzakelijk ontworpen in niet meer dan twee kleuren voor meer recycle-opties. Een klein aantal onderdelen is met opzet gekleurd om toegangspunten voor de klant aan te geven.

Printerverpakking: Het verpakkingsmateriaal van deze printer is gekozen om maximale bescherming te bieden voor zo laag mogelijke kosten, en tevens de effecten op het milieu te beperken en het recyclen te vergemakkelijken. Het solide ontwerp van de HP Deskjet printer draagt ertoe bij het verpakkingsmateriaal en beschadigingen te beperken.

Kunststof onderdelen: Alle belangrijke kunststoffen en kunststof onderdelen zijn gemarkeerd volgens internationale standaarden. Het is technisch mogelijk alle kunststof onderdelen die in de behuizing en het chassis van de printer zijn gebruikt te recyclen. Deze bestaan alle uit een enkele polymeer.

Levensduur van het product: HP biedt het volgende waarmee de levensduur van uw HP Deskjet printer kan worden verlengd:

- **Verlengde garantie:** HP SupportPack biedt dekking van de HP hardware en het product en alle door HP geleverde interne componenten. HP SupportPack dient binnen 30 dagen na aankoop door de klant te worden gekocht. Neem contact op met de dichtstbijzijnde HP dealer voor deze service.
- **Reserve-onderdelen en verbruiksartikelen** zijn gedurende vijf (5) jaar nadat de productie is gestopt leverbaar.
- **Inname van het product:** Neem contact op met uw plaatselijk HP verkoopkantoor of een service-afdeling voor instructies betreffende het terugbrengen van het product en inktpatronen naar HP als deze niet langer bruikbaar zijn.

Energieverbruik

Deze printer is ontworpen om zo energiezuinig mogelijk te zijn. Deze printer verbruikt 4 watt als deze gereed is om af te drukken. Dit spaart niet alleen het milieu, het bespaart ook geld, zonder dat de prestaties van de printer hieronder leiden.

Dit product voldoet aan het programma ENERGY STAR (V.S. en Japan). ENERGY STAR is een vrijwillig programma dat is opgericht om de ontwikkeling van energiezuinige kantoorproducten te stimuleren.



ENERGY STAR is een geregistreerd servicemerk in de V.S. van de US EPA. Als partner van ENERGY STAR, heeft Hewlett-Packard Company bepaald dat dit product voldoet aan de richtlijnen van ENERGY STAR wat betreft efficiënt energieverbruik.

Energieverbruik als de printer uit is: Als de printer uit is, wordt nog steeds een minimale hoeveelheid energie verbruikt. Energieverbruik kan worden voorkomen door de printer uit te zetten en vervolgens de stekker uit het stopcontact te verwijderen.

Index

A

Adobe Acrobat Reader **5, 6**

C

compatibiliteit
met andere hardware **3**
met andere software **3**

D

DOS systemen **6**

E

e-mailondersteuning **8**
energieverbruik **19**

G

garantie, beperkte **17**

H

handleiding voor snelle hulp **3, 4, 5, 6**
handleiding, Windows 3.1x **3**
help
e-mailondersteuning **8**
HP klantenondersteuning **7**
na periode van telefonische ondersteuning **10**
printerreparaties **11**
problemen oplossen met de installatie **12**
telefonische ondersteuning **9, 10**
Web-ondersteuning **7**
help, weergave **3**
help-ballonnen **3**
HP printerassistent **4**

I

inhoud van de printerdoos **1**
inktpatronen **1, 2, 3**
installatieposter **1, 3**
installatieproblemen oplossen **12**

K

kabel, printer **2**
klantenondersteuning **7**

M

Macintosh help-ballonnen **3**
Module voor automatisch dubbelzijdig
afdrukken **1**

N

netwerkhandleiding, Windows **3**

P

printer **15**
printer recyclen **19**
printer, installeren **3**
printer, op netwerk aansluiten **3**
printerdoos, inhoud **1**
printerfuncties **3**
printerinformatie zoeken **3**
printerkabel **2, 14, 15**
printerreparaties **11**
printersoftware **1, 2, 3, 5**
printerspecificaties **3**
problemen oplossen **12**
computer kan cd met software niet lezen **12**
hpzuci01.dll niet gevonden **16**
software wordt niet juist geïnstalleerd **13**
USB-installatieproblemen **14, 15**

S

servicecontracten **11**
software, printer **2, 3**
stuurprogramma, printer **1, 2, 3**

T

telefonische ondersteuning **9, 10**

U

uitbreiding van de garantie **11, 19**
uitgave-info **3**
USB **14, 15**

V

virusbeschermingsprogramma's **13**

W

Websites, HP klantenondersteuning **7**
Windows help-weergave **3**

Regulatory notices

hewlett-packard company

This device complies with part 15 of the FCC Rules. Operation is subject to the following two conditions:

- This device may not cause harmful interference, and
- This device must accept any interference received, including interference that may cause undesired operation.
- Pursuant to Part 15.21 of the FCC Rules, any changes or modifications to this equipment not expressly approved by Hewlett-Packard Company may cause harmful interference, and void your authority to operate this equipment. Use of a shielded data cable is required to comply with the Class B limits of Part 15 of the FCC Rules.

For further information, contact:

Hewlett-Packard Company
Manager of Corporate Product Regulations
3000 Hanover Street
Palo Alto, Ca 94304
(650) 857-1501

note

This equipment has been tested and found to comply with the limits for a Class B digital device, pursuant to part 15 of the FCC rules. These limits are designed to provide reasonable protection against harmful interference in a residential installation. This equipment generates, uses, and can radiate radio frequency energy and, if not installed and used in accordance with the instructions, can cause harmful interference to radio communications. However, there is no guarantee that interference will not occur in a particular installation. If this equipment does cause harmful interference to radio or television reception, which can be determined by turning the equipment off and on, the user is encouraged to try to correct the interference by one or more of the following measures:

- Reorient or relocate the receiving antenna.
- Increase the separation between the equipment and the receiver.
- Connect the equipment into an outlet on a circuit different from that to which the receiver is connected.
- Consult the dealer or an experienced radio/TV technician for help.

LED indicator statement

The display LEDs meet the requirements of EN 60825-1.

この装置は、情報処理装置等電波障害自主規制協議会（VCCI）の基準に基づくクラスB情報技術装置です。この装置は、家庭環境で使用することを目的としていますが、この装置がラジオやテレビジョン受信機に近接して使用されると受信障害を引き起こすことがあります。

取り扱い説明書に従って正しい取り扱いをして下さい。

사용자 안내문 (B급 기기)

이 기기는 비업무용으로 전자파장애검정을 받은 기기로서, 주거지역에서는 물론 모든 지역에서 사용될 수 있습니다.

**Windows
Macintosh**



i n v e n t

**الدليل المرجعي السريع
hp deskjet 990c/980c/960c series**

العربية

إشعارات

Microsoft و MS-DOS و Windows هي علامات تجارية مسجلة لشركة Microsoft Corporation. Adobe و Acrobat هما علامتان تجاريتان لشركة Adobe Systems Incorporated. Mac و Macintosh و Mac OS هي علامات تجارية مسجلة في الولايات المتحدة وغيرها من الدول لشركة Apple Computer, Inc.

بيان

المعلومات الواردة في هذا الدليل عرضة للتغيير دون إشعار مسبق. لا تقدم شركة Hewlett-Packard الضمانات من أي نوع حول هذه المنتجات، بما في ذلك، على سبيل الذكر لا الحصر، الضمانات المفترضة حول أهليتها للتسويق أو صلاحيتها للأغراض المعينة. لا يمكن اعتبار شركة Hewlett-Packard مسؤولة عن أية أخطاء أو أضرار مباشرة أو غير مباشرة مرتبطة بتسليم هذه المنتجات أو أدائها أو استعمالها. يحظر نسخ هذه المواد أو إعادة صياغتها أو ترجمتها، دون الإذن الخطي المسبق من شركة Hewlett-Packard.

التسميات والاصطلاحات

يعتمد هذا «الدليل المرجعي السريع» التسميات والاصطلاحات التالية:

التسميات

يشار في هذا الدليل إلى طابعات HP Deskjet 990c series وطابعات HP Deskjet 980 series وطابعات HP Deskjet 960c series بمصطلح إجمالي هو **HP Deskjet 9xx** أو باختصار **HP Deskjet**.

الرموز

يشير رمز < إلى تتابع الخطوات المطلوبة ضمن سلسلة من التعليمات، فعلى سبيل المثال:
انقر على بدء (Start) < البرامج (Programs) < hp deskjet 9xx series < Release Notes لفتح ملف إشعارات الإصدار.

التنبيهات

التنبيه هو إشارة إلى احتمال وقوع الضرر بطابعة HP Deskjet أو بغيرها من الأجهزة. فعلى سبيل المثال:
تنبيه! لا تلمس فوهات بخ الحبر أو نقاط التماس النحاسية، ذلك أن لمسها يؤدي إلى احتقان الحبر أو فساده، أو إلى تعطيل الاتصالات الكهربائية.

الدليل المرجعي السريع

hp deskjet 990c/980c/960c series

فهرس المحتويات

١	التعريف بطابعة hp deskjet
٢	عبوات الحبر
٢	أشرطة وصل الطابعة
٢	تحديثات البرامج
٣	الحصول على المعلومات
٤	الاطلاع على المساعدة السريعة
٤	لمستعملي أنظمة التشغيل Windows، الإصدارات 95 أو 98 أو 2000 أو Me أو NT 4.0
٥	لمستعملي جهاز Macintosh
٦	الاطلاع على معلومات الطابعة ضمن Windows 3.1x أو DOS
٦	لمستعملي نظام التشغيل Windows 3.1x
٦	لمستعملي نظام التشغيل DOS
٧	الاتصال بخدمة العناية بالمستخدمين hp customer care
٧	إجراءات العناية بالمستخدمين من شركة hp
٧	العناية الإلكترونية بالمستخدمين hp customer care e-support
٩	العناية الهاتفية بالمستخدمين hp customer care by phone
١١	الحصول على خدمات التصليح من خدمة العناية بالمستخدمين hp customer care
١١	تمديد الضمان
١٢	حل مشاكل التثبيت ضمن نظام Windows
١٧	بيان الضمان المحدود
١٩	بيان حول البيئة
٢٠	الفهرس التفصيلي
	regulatory notices (إشعارات تنظيمية) داخل الغلاف الخلفي

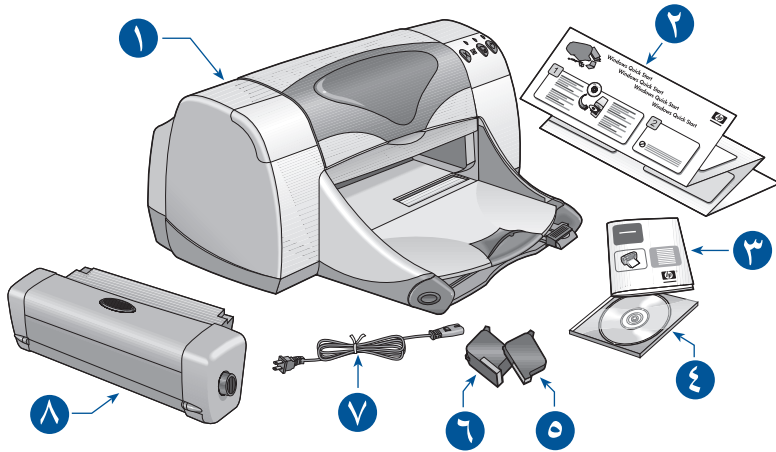
التعريف بطابعة hp deskjet

محتويات علبة الطابعة

شكراً لشراءك طابعة HP Deskjet. تتضمن رزمة الطابعة المحتويات التالية:

- طابعة HP Deskjet (من مجموعة 990c series، أو 980c series)
- القرص المدمج لبرمجيات الطابعة
- «الدليل المرجعي السريع»
- وحدة الطباعة التلقائية على الوجهين (ليست متوفرة مع جميع أطرزة الطابعات)
- ملصق «التجهيز السريع»
- عبوة الحبر الأسود
- شريط الطاقة
- عبوة الحبر الملون

إذا كانت هذه المحتويات ناقصة في الرزمة، الرجاء الاتصال بموزع شركة HP في محلّتك، أو بخدمة العناية بالمستهلكين HP Customer Care. راجع «الاتصال بخدمة العناية بالمستهلكين HP Customer Care» للمزيد من المعلومات.



١. الطابعة
٢. ملصق التجهيز السريع
٣. الدليل المرجعي السريع
٤. برمجيات الطابعة
٥. عبوة الحبر الأسود
٦. عبوة الحبر الملون
٧. شريط الطاقة
٨. وحدة الطباعة التلقائية على الوجهين (غير متوفرة مع جميع أطرزة الطابعات)

عبوات الحبر

تتضمن رزمة طابعة HP Deskjet عبوة حبر أسود وعبوة حبر ملون. وتجد التعليمات حول كيفية تركيب عبوة الحبر على علبتها، وفي دليل المساعدة السريعة، وهو الدليل الإلكتروني على القرص المدمج. وعند استبدال عبوة الحبر، تأكد من أن رقم القطعة هو الرقم المناسب للطابعة:

- عبوة الحبر الأسود – hp 45 (hp 51645a)
- عبوة الحبر الملون – hp 78 (hp c6578d)
- عبوة الحبر الملون الكبيرة – hp 78 (hp c6578a)

أشربة وصل الطابعة

لا تتضمن رزمة طابعة شريط وصل للطابعة بالحاسوب. عليك شراء شريط وصل لربط الطابعة بالحاسوب لديك من أحد الطرازين التاليين:

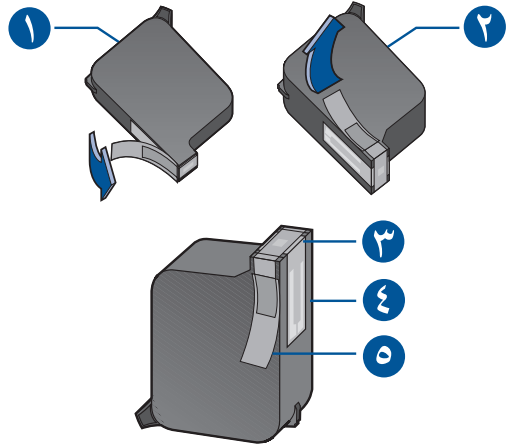
- شريط وصل للمنفذ المتوازي متوافق مع مقياس IEEE 1284 للاستعمال مع كافة إصدارات نظام التشغيل Windows.
- شريط وصل لمنفذ المسرب المتتالي العام USB للاستعمال مع حواسيب Macintosh أو الحواسيب العاملة على أساس نظام التشغيل Windows، الإصدارات 98 أو Me أو 2000.

تحديثات البرامج

برمجيات الطابعة، أو البرامج المحركة للطابعة، هي وسيلة إيصال الأوامر إلى الطابعة. للحصول على نسخات هذه البرمجيات أو تحديثاتها، استعمل إحدى هاتين الطريقتين:

- احصل على برامج الطابعة من موقع شركة HP على النسيج العالمي.
- اتصل بخدمة العناية بالمستهلكين HP Customer Care لطلب قرص مدمج يحتوي على ملفات التحديثات البرمجية.

راجع «الاتصال بخدمة العناية بالمستهلكين HP Customer Care» للحصول على أرقام الهاتف وعناوين مواقع النسيج العالمي لخدمة العناية بالمستهلكين.



١. عبوة الحبر الأسود ٢. عبوة الحبر الملون
٣. فوهات بخ الحبر ٤. نقاط التماس النحاسية ٥. الشريط البلاستيكي الواقي

تنبيه! عند استبدال عبوات الحبر، لا تلمس فوهات بخ الحبر أو نقاط التماس النحاسية، ذلك أن لمسها يؤدي إلى احتقان الحبر أو فساده، أو إلى تعطيل الاتصالات الكهربائية. ولا تنزع الأشربة النحاسية، فهي نقاط التماس كهربائية ضرورية.

الحصول على المعلومات

تتضمن رزمة طابعة HP Deskjet عدة مستندات توفر لك المعلومات حول كيفية تثبيت برامج الطابعة، وتشغيل الطابعة، والحصول على التعليمات والمساعدة عند الحاجة. ويفصل الجدول التالي كيفية الحصول على المعلومات المفيدة حول المسائل المعينة.

نظام التشغيل	راجع ...	للمعلومات حول ...
Windows (جميع الإصدارات) و Macintosh	ملصق «التجهيز السريع» 	تجهيز الطابعة وتثبيت برمجياتها
Windows (جميع الإصدارات) و Macintosh	«المساعدة السريعة» (راجع «الاطلاع على المساعدة السريعة» للمزيد من التفاصيل) «دليل الاستعمال» (راجع «الاطلاع على معلومات الطابعة ضمن Windows 3.1x أو DOS» للمزيد من التفاصيل)	سمات الطابعة ومواصفاتها وصيانتها، وعبوات الحبر، وكيفية الطابعة، وحل مشاكل الطابعة.
Windows (جميع الإصدارات) و Macintosh	«الدليل المرجعي السريع» 	محتويات الرزمة، خدمة HP Customer Care، الضمان، حل مشاكل تجهيز الطابعة.
Windows (جميع الإصدارات ما عدا Windows 3.1)	دليل شبكات Windows من شركة HP (Windows network guide) 	ربط الطابعة بشبكة حاسوبية.
Windows (جميع الإصدارات ما عدا Windows 3.1)	ملف إشعارات الإصدار انقر على بدء (Start) < البرامج (Programs) < hp deskjet 9xx series release notes 	توافق العتاد والبرمجيات مع الطابعة.
Windows (جميع الإصدارات ما عدا Windows 3.1) و Macintosh	سمة «ما هذا What's This» (ضمن Windows). انقر بزر الماوس الأيمن حيث يجب. سمة «المساعدة Bubble Help» (ضمن Macintosh). انقر حيث يجب. 	التعيينات في مربع حوار الطابعة

الاطلاع على المساعدة السريعة

يقدم لك الدليل الإلكتروني «المساعدة السريعة» مجمل التعليمات لاستعمال طابعة HP Deskjet كما يحتوي على التفاصيل لحل مشاكل الطباعة في حال حدوثها.

النسخات المختلفة من «المساعدة السريعة» لبرنامج Adobe Acrobat

يتوفر دليل «المساعدة السريعة» أيضاً باللغات التالية:

- الإستونية
- الإندونيسية
- البلغارية
- التركية
- الرومانية
- السلوفاكية
- السلوفينية
- العبرية
- العربية
- القزقية
- الكرواتية
- الليتوانية
- اليونانية

لمستعملي أنظمة التشغيل Windows، الإصدارات 95 أو 98 أو 2000 أو Me أو NT 4.0

يمكنك فتح «المساعدة السريعة» عبر البرنامج المساعد للطابعة hp printer assistant. وهي الأداة التي يمكنك أيضاً من الاطلاع على التالي:

- خدمة العناية بالمستعملين HP Customer Care
- أفكار متنوعة حول الطباعة
- صلات تسوق لشراء منتجات أخرى من إنتاج شركة HP
- صلات إلى تحديثات البرامج

تجد رمز البرنامج المساعد للطابعة على سطح المكتب لنظام Windows بعد أن يتم تثبيت برمجيات الطباعة على الحاسوب لديك.

الوصول إلى «المساعدة السريعة»

للوصول إلى «المساعدة السريعة»، نفذ الإجراء التالي:

١. انقر على رمز البرنامج المساعد للطابعة الموجود على سطح المكتب hp printer assistant



990c printer assistant

يظهر عندئذ رمز البرنامج hp printer assistant

٢. انقر على «المساعدة السريعة» (quick help) لإظهار محتويات هذا الدليل.

يمكنك أيضاً الوصول إلى «المساعدة السريعة» من قائمة «بدء»: انقر على بدء (Start) < البرامج (Programs) < 9xx printer assistant < hp deskjet 9xx series < المساعدة السريعة (quick help)

مستعملي جهاز Macintosh

يحتاج الاطلاع على دليل «المساعدة السريعة» quick help على جهاز Macintosh إلى برنامج Acrobat Reader الذي تنتجه شركة Adobe. وإذا كان لم يسبق تثبيت هذا البرنامج على الحاسوب لديك، فإنه بالإمكان تثبيته مباشرة من القرص المدمج لبرمجيات الطابعة.

للوصول إلى «المساعدة السريعة» quick help:

1. أدخل القرص المدمج لبرمجيات الطابعة في محرك الأقراص المدمجة بالحاسوب لديك.
2. تظهر عندئذ شاشة الطابعة hp deskjet.
3. حدّد مجلد دليل الاستعمال **User Manual** الخاص باللغة التي تريد استعمالها.
4. نَقْدُ إحدى الخطوتين التاليتين:

- انقر نقرًا مزدوجاً على رمز دليل الاستعمال الإلكتروني **Electronic User Manual** إذا كان قد سبق تثبيت برنامج Acrobat Reader على الحاسوب لديك.



Electronic User Manual

- انقر نقرًا مزدوجاً على رمز برنامج التثبيت **Acrobat Reader 4.0** إذا كان لم يسبق تثبيت برنامج Acrobat Reader على الحاسوب لديك.



Acrobat Reader 4.0

يجري عندئذ تثبيت برنامج Acrobat Reader تلقائياً على الحاسوب لديك. بعد انتهاء عملية التثبيت، انقر نقرًا مزدوجاً على رمز دليل الاستعمال الإلكتروني **Electronic User Manual** لإظهار «المساعدة السريعة».

فإذا أردت الاطلاع على «المساعدة السريعة» في إحدى هذه اللغات، عليك بتنفيذ ما يلي:

1. انقر على رمز البرنامج المساعد للطابعة الموجود على سطح المكتب **hp printer assistant**
 2. انقر على زر المساعدة السريعة **quick help** ضمن مربع الحوار للبرنامج المساعد للطابعة.
 3. انقر على عبارة **quick help is available in other languages** («المساعدة السريعة» متوفرة بلغات أخرى)، عند أسفل مربع الحوار للمساعدة السريعة.
 4. أدخل القرص المدمج لبرمجيات الطابعة في محرك الأقراص المدمجة بالحاسوب لديك.
 5. حدّد اللغة من القائمة التي تظهر عندئذ.
- إذا كان قد سبق تثبيت برنامج Acrobat Reader على الحاسوب لديك، فإن «المساعدة السريعة» تظهر مباشرة باللغة المطلوبة.
- إذا كان قد لم يسبق تثبيت برنامج Acrobat Reader على الحاسوب لديك، فإن تثبيته يجري تلقائياً ثم تظهر «المساعدة السريعة» باللغة المطلوبة.

الاطلاع على معلومات الطابعة ضمن DOS أو Windows 3.1x

لمستعملي نظام التشغيل DOS

ضمن نظام التشغيل DOS، تجد المعلومات حول تشغيل الطابعة في ملف نصي بعنوان *dosread.txt*. وهذا الملف موجود على القرص المدمج لبرمجيات الطابعة في دليل `\aaa\djcp\` حيث `aaa` هو رمز من ثلاثة حروف خاص بكل لغة، كما في الجدول أدناه. فعلى سبيل المثال، للاطلاع على النص باللغة الإنكليزية، يتوجب عليك فتح ملف *dosread.txt* في دليل `\enu\djcp\`.

لاستعمال هذه اللغة... استعمل هذا الرمز...

bin	الإندونيسية
bul	البلغارية
chs	الصينية المبسطة
cht	الصينية التقليدية
csy	التشيكية
dan	الدانماركية
deu	الألمانية
enu	الإنكليزية
esm	الإسبانية
fra	الفرنسية
fin	الفنلندية
hun	المجرية
ita	الإيطالية
jpn	اليابانية
kor	الكورية
kzh	القرزية
nld	الهولندية
non	النرويجية
plk	البولونية
ptb	البرتغالية
rus	الروسية
svc	السويدية
tha	التايلندية

لمستعملي نظام التشغيل Windows 3.1x

ضمن نظام التشغيل Windows 3.1x، تجد المعلومات حول تشغيل الطابعة في دليل استعمال إلكتروني *User's Guide*. وهذا الدليل متوفر فقط لطابعات HP Deskjet 990c series.

يحتاج الاطلاع على دليل الاستعمال هذا *User's Guide* إلى برنامج Acrobat Reader الذي تنتجه شركة Adobe. وإذا كان لم يسبق تثبيت هذا البرنامج على الحاسوب لديك، فإنه بالإمكان تثبيته مباشرة من القرص المدمج لبرمجيات الطابعة عند الاطلاع على دليل الاستعمال للمرة الأولى.

للوصول إلى دليل الاستعمال *User's Guide*:

١. أدخل القرص المدمج لبرمجيات الطابعة في محرك الأقراص المدمجة بالحاسوب لديك.

٢. انقر على ملف **(File) < تشغيل (Run)** ضمن مدير البرامج *Program Manager*.

٣. انقر على `d:\setup.exe`.

ضع الحرف الخاص بمحرك الأقراص المدمجة لديك بدلاً من الحرف «d»، إذا اختلف.

٤. انقر على موافق (OK).

تظهر عندئذ شاشة طابعة hp deskjet.

٥. انقر على **View User's Guide** (الاطلاع على دليل الاستعمال).

– إذا كان قد سبق تثبيت برنامج Acrobat Reader على الحاسوب لديك، فإن دليل الاستعمال *User's Guide* يظهر مباشرة باللغة المطلوبة.

– إذا كان قد لم يسبق تثبيت برنامج Acrobat Reader على الحاسوب لديك، فعليك اتباع التعليمات الواردة على الشاشة. وبعد انتهاء عملية التثبيت، حدّد **View User's Guide** للاطلاع على دليل الاستعمال.

الاتصال بخدمة العناية بالمستخدمين

hp customer care

تقدم لك خدمة العناية بالمستخدمين hp customer care الخدمة والدعم في استعمالك لطابعة HP Deskjet. بما في ذلك حل المشاكل. وتتوفر لديك عدة طرق للحصول على المساعدة، وفق الحاجة، وعند الضرورة.

العناية الإلكترونية بالمستخدمين

hp customer care e-support

يمكنك الاستفادة من خدمة العناية الإلكترونية بالمستخدمين hp customer care e-support طوال مدة امتلاكك لإحدى طابعات HP. فعبر هذه الخدمة، يمكنك الحصول على المعلومات حول الخيارات المتاحة لك، وعلى التعليمات المفيدة، وعلى التحديثات لبرمجيات الطابعة، على مدار الساعة، وطوال أيام الأسبوع، دون أية تكلفة.

مواقع النسيج العالمي للدعم من HP

إذا كان للحاسوب لديك اتصال بالإنترنت، سواء عبر جهاز الموديم مع اشتراك لدى شركة خدمات إنترنت، أو باتصال مباشر، فإنه بوسعك الحصول على تشكيلة واسعة من المعلومات حول الطابعة لديك. راجع عناوين قائمة مواقع النسيج العالمي على الصفحة التالية.

وإذا كانت اللغة التي ترغب باستعمالها، أو الدولة التي تقصدها، غير مدرجة على هذه القائمة، توجه إلى موقع خدمة العناية بالمستخدمين لشركة HP على العنوان:

<http://www.hp.com/apcpo-support/regional.html>

لتبين ما إذا كان ثمة موقع باللغة التي تريدها.

إجراءات العناية بالمستخدمين

من شركة hp

يمكنك الاستفادة بالشكل الأفضل من خدمة العناية بالمستخدمين hp customer care عبر اتباع الترتيب التالي في السعي للحصول على المساعدة.

١. استعمل «المساعدة السريعة».

راجع «الاطلاع على المساعدة السريعة» للمزيد من التفاصيل.

٢. استعمل المساعدة على الخط e-support من خدمة العناية بالمستخدمين hp customer care.

اتصل عبر الإنترنت في أي وقت لاستعمال الخيارات التالية:

- تصفح صفحات الدعم والمساعدة من شركة HP.
- توجه إلى منتديات مستعملي منتجات HP لقراءة الرسائل المدرجة فيها أو لطرح الأسئلة.
- أرسل رسالة بالبريد الإلكتروني إلى شركة HP.

راجع «العناية الإلكترونية بالمستخدمين hp customer care e-support» للمزيد من التفاصيل.

٣. استعمل المساعدة الهاتفية من خدمة العناية بالمستخدمين hp customer care خلال أوقات العمل.

راجع «العناية الهاتفية بالمستخدمين hp customer care by phone» للمزيد من التفاصيل.

ملاحظة تختلف خيارات المساعدة باختلاف المنتجات، والمناطق أو الدول، واللغات.

توجه إلى هذا الموقع ...	لاستعمال هذه اللغة ...
http://www.hp.com/cposupport/es	الإسبانية
http://www.hp.com/cposupport/de	الألمانية
http://www.hp.com/go/support	الإنكليزية
http://www.hp.com/cposupport/pt	البرتغالية
http://www.hp.com/cposupport/sv	السويدية
http://www.hp.com.cn/go/support	الصينية المبسطة
http://taiwan.support.hp.com	الصينية التقليدية
http://www.hp.co.kr/go/support	الكورية
http://www.hp.com/cposupport/fr	الفرنسية
http://www.jpn.hp.com/CPO_TC/eschome.htm	اليابانية

البريد الإلكتروني لخدمة العناية بالمستهلكين hp customer care email

يمكنك عبر هذه الخدمة الحصول على جواب خاص بك من أحد التقنيين الاختصاصيين العاملين لدى شركة HP وذلك عبر البريد الإلكتروني. أدخل السؤال الخاص بك في الاستمارة الموجودة في موقع الشركة على النسيج العالمي للحصول على جواب بالبريد الإلكتروني (تحصل على هذا الجواب عادة خلال مهلة ٤٨ ساعة، باستثناء أيام العطل الرسمية). فالبريد الإلكتروني هو وسيلة ممتازة للحصول على الأجوبة التي تتطرق مباشرة إلى الأسئلة التقنية التي تراودك.

توجه من موقع شركة HP على النسيج العالمي إلى منتديات مستعملي منتجات HP. أو إلى البريد الإلكتروني لخدمة العناية بالمستهلكين hp customer care. بعد الوصول إلى الموقع، يمكنك اختيار ما يناسب الطابعة لديك. وبعد ظهور صفحة خدمة العناية بالمستهلكين، انقر على **Connect with HP** للاتصال بشركة HP.

منتديات مستعملي منتجات شركة HP

يمكنك في هذه المنتديات قراءة الأسئلة والأجوبة التي سجلها سائر مستعملي منتجات شركة HP، وذلك لإيجاد الحلول المناسبة للمشاكل التي قد تعترضك. ويمكنك بالطبع طرح سؤال خاص بك، ثم العودة إلى الموقع في وقت لاحق للاطلاع على الأجوبة والاقتراحات التي يكون قد سجلها مستعملي منتجات HP من ذوي الخبرة في الموضوع.

فإذا تعذر عليك حل المشكلة التي تعترضك، يمكنك الاتصال بالتقنيين المختصين لدى شركة HP، فيما أنت جالس بمواجهة الحاسوب وعلى مقربة من الطابعة. وللحصول على الخدمة السريعة، تحضّر لتقديم المعلومات حول ما نفّذته من خطوات.

كما أن التقنيين المختصين لدى شركة HP بحاجة إلى البيانات التالية للتمكن من مساعدتك:

- طراز الطابعة لديك (على الجانب الأمامي من الطابعة).
- الرقم التسلسلي للطابعة لديك (تجده على الجانب الأسفل من الطابعة).
- نظام التشغيل العامل على الحاسوب لديك.
- رقم إصدار البرنامج المحرك للطابعة (أي برمجيات الطابعة).
- الإشعارات التي صدرت عن الطابعة والحاسوب قبيل وقوع المشكلة وبعدها.
- الجواب على كل من الأسئلة التالية:

— هل طرأ هذا الوضع من قبل؟ وهل يمكنك تكراره؟

— متى طرأ هذا الوضع؟ هل كنت بصدد إضافة عتاد جديد أو تثبيت برامج جديدة قبيل طرؤ هذا الوضع؟

العناية الهاتفية بالمستخدمين hp customer care by phone

تقدم لك شركة HP العناية الهاتفية، دون تكلفة، خلال مدة الدعم الخاصة بالطابعة وفق المناطق. (تكلفة المكالمات الهاتفية تنطبق بالطبع كالمعتاد). يفصل الجدول التالي مدة الدعم الخاصة بكل منطقة.

مدة الدعم الهاتفي المجاني

المنطقة	مدة الدعم*
أميركا الشمالية بما فيها كندا	سنة واحدة
آسيا والمحيط الهادئ	سنة واحدة
أوروبا	٣٠ يوماً
أميركا اللاتينية	سنة واحدة

* تكلفة المكالمات الهاتفية تنطبق كالمعتاد.

قبل الاتصال

قبل المباشرة بالاتصال الهاتفي، تأكد من استعمال كافة وسائل الدعم المجانية التالية:

- المساعدة السريعة
- ملصق التجهيز السريع
- خدمة العناية الإلكترونية بالمستخدمين hp customer care e-support

أرقام الهاتف للدعم

إذا كنت تبحث عن حل لمشكلة اعترضت الطابعة، يمكنك الاتصال بخدمة العناية بالمستخدمين لدى شركة HP على أحد الأرقام الواردة في الدول التالي. أما إذا لم يكن في هذا الجدول رقماً لمنطقتك، فالرجاء التوجه إلى موقع خدمة العناية بالمستخدمين لشركة HP على العنوان:

<http://www.hp.com/cps-support/guide/psd/csinfo.htm>

بعد انتهاء فترة المساعدة الهاتفية المجانية

يمكنك الحصول على المساعدة من شركة HP، بعد انتهاء فترة المساعدة الهاتفية المجانية مقابل رسم. وهذه الرسوم عرضة للتبديل دون إشعار مسبق. (أما المساعدة عبر النسيج العالمي على شبكة الانترنت، فهي تبقى مجانية! راجع «العناية الإلكترونية بالمستخدمين hp customer care e-support».)

- لإجابة على سؤال سريع نتوقع أن لا تتجاوز مكالته ١٠ دقائق، في الولايات المتحدة فقط، اتصل بالرقم ١٥٠٠-٥٥٥ (٩٠٠). التعرفة دولاران ونصف دولار بالدقيقة ابتداءً من وقت مخاطبة أحد التقنيين، ولا تتجاوز ٢٥ دولاراً.
- لمكالمة من كندا، أو من الولايات المتحدة نتوقع أن تزيد عن عشر دقائق، يمكنك الاتصال بالرقم ١١٤٨-٩٩٩ (٨٠٠). التعرفة ٢٥ دولار أميركي للمكالمة بأكملها، تسجل على حساب فيزا أو ماستركارد الخاص بك.

إذا تبين لشركة HP خلال المكالمة أن الطابعة بحاجة إلى تصليح وأنها ما زالت ضمن فترة الضمان المحدود، لن يجري تحميلك كلفة المساعدة الهاتفية.

لهذه المنطقة...	استعمل هذا الرقم...
الأرجنتين	+٥٤ ٠٨١ ٥٥٥ ٥٥٢٠
إسبانيا	+٣٤ ٩ ٠٢٣٢١ ١٢٣
إسرائيل	+٩٧٢ ٠ ٩٥٢٤٨٤٨
أفريقيا الجنوبية، الجمهورية	+٢٧ ٠٨٦ ٠٠٠ ١٠٣٠
أفريقيا الجنوبية، المنطقة	+٢٧ ١١ ٢٥٨ ٩٣٠١
ألمانيا	+٤٩ (-) ١٨٠ ٥٢ ٥٨ ١٤٣
إندونيسيا	+٦٢ (٢١) ٣٥٠ ٣٤٠٨
أستراليا	+٦١ ٣ ٨٨٧٧ ٨٠٠٠
إيرلندا	+٣٥٣ (-) ١٦٦٢ ٥٥٢٥
إيطاليا	+٣٩ (-) ٢ ٢٦٤ ١٠٢٥٠
البرازيل، ساو باولو	+٥٥ ٣٧٤٧ ٧٧٩٩
البرازيل، خارج ساو باولو	+٥٥ ٠٨٠ ١٥ ٧٧٥١
البرتغال	+٣٥١ ٢١ ٣١٧ ٦٣٣٣
بلجيكا (بالفرنسية)	+٣٢ (-) ٢ ٦٢٦ ٨٨ ٠٧
بلجيكا (بالهولندية)	+٣٢ (-) ٢ ٦٢٦ ٨٨ ٠٦
بولندا	+٤٨ ٢٢ ٥١٩ ٠٦ ٠٠
تايلندا	+٦٦ (٢) ٦٦١ ٤٠٠٠
تايوان	+٨٨٦ ٢ ٢٧١٧ ٠٠٥٥
تركيا	+٩٠ (-) ٢١٢ ٢٢١ ٦٩٦٩
تشيشيا	+٤٢ ٠٢ ٦١٣٠ ٧٣١٠
تشيلي	+٥٦ ٨٠٠ ٣٦ ٠٩٩٩
سنغافورة	+٦٥ ٢٧٢ ٥٢٠٠
السويد	+٤٦ (-) ٨ ٦١٩٢١٧٠
سويسرا	+٤١ (-) ٨٤ ٨٨٠ ١١١١
الشرق الأوسط، دبي	+٩٧١ ٤ ٨٨٣ ٨٤٥٤
الصين	+٨٦ ١٠ ٦٥٦٤ ٥٩٥٩
الدانمارك	+٤٥ (-) ٣٩ ٢٩ ٤٠٩٩
روسيا، موسكو	+٧ ٠٩٥ ٧٩٧ ٣٥٢٠
روسيا، بتروغراد	+٧ ٨١٢ ٣٤٦ ٧٩٩٧
فرنسا	+٣٣ (-) ١ ٤٣ ٦٢ ٣٤ ٣٤

الحصول على خدمات التصليح من خدمة العناية بالمستهلكين hp customer care

إذا احتاجت الطابعة لديك إلى التصليح، يكفي أن تتصل هاتفياً بخدمة العناية بالمستهلكين hp customer care (راجع الصفحة السابقة للحصول على أرقام الهاتف). فسوف يعمل أحد خبراء الشركة على تشخيص العلة وترتيب الأمور لتحقيق التصليح.

وتوجهك هذه الخدمة نحو أفضل خيارات التصليح، سواءاً منها مراكز الشركة أو الوكلاء المعتمدين. وهذه الخدمة مجانية خلال فترة الضمان. أما فيما يتعدى هذه الفترة، فإنك كلفتها تقاس على أساس القطع والوقت.

تمديد الضمان

إذا أردت تمديد فترة الضمان لتتجاوز الفترة التي يشملها الضمان المحدود الذي تقدمه لك شركة HP، فبوسعك القيام بما يلي:

- اتصل بوكيل المبيعات في محلّتك لاستشارته في كيفية الحصول منه على تمديد للضمان. للاطلاع على قائمة وكلاء المبيعات في الولايات المتحدة، راجع موقع الشركة على النسيج العالمي:
http://www.hp.com/service_locator
- في حال لم يتوفر خيار تمديد الضمان لدى وكيل المبيعات في محل إقامتك، فالرجاء الاتصال بشركة HP مباشرة للاستعلام عن عروض عقد الخدمة HP Service Agreements. اتصل على الرقم ٤٤٦-٥٢٢ (٨٠٠) في الولايات المتحدة، واتصل على الرقم ١٢٢١-٢٦٨ (٨٠٠) في كندا. من أجل الاستفسار عن عروض عقد الخدمة HP Service Agreements في سائر أنحاء العالم، خارج الولايات المتحدة وكندا، اتصل بمكتب المبيعات المحلي لشركة HP.

لهذه المنطقة ...	استعمل هذا الرقم ...
فنلندا	+٣٨٥ (٠) ٢٠٣ ٤ ٧٢٨٨
الفلبين	+٦٦ (٢) ٨٦٧ ٣٥٥١
فنزويلا	+٥٨ ٨٠٠ ٤٧ ٨٨٨
فيتنام	+٨٤ (٠) ٨ ٨٢٣ ٤٥٣٠
كندا	١ (٩٠٥) ٢٠٦ ٤٦٦٣
كوريا	+٨٢ (٢) ٣٢٧٠ ٠٧٠٠
كوريا، خارج سئول	+٨٢ ٠٨٠ ٩٩٩ ٠٧٠٠
ماليزيا	+٦٠ (٣) ٢٩٥٢٥٦٦
ماليزيا، فنج	+٦٠ ١ ٣٠٠ ٨٨ ٠٠ ٢٨
المجر	+٣٦ (٠) ١٢٨٢ ١١١١
مكسيكو العاصمة	٠١ ٨٨٠ ٤٧٢ ٦٦٨٤
المملكة المتحدة	+٤٤ (٠) ٢٠٧ ٥١٢ ٥٢٠٢
النرويج	+٤٧ (٠) ٢٢ ١١٦٢٩٩
النمسا	+٤٣ (٠) ٨١٠ ٠٠ ٦٠٨٠
نيوزيلندا	+٦٤ (٩) ٣٥٦ ٦٦٤٠
الهند	+٩١ ١١ ٦٨٢ ٦٠ ٣٥
هولندا	+٣١ (٠) ٢٠ ٦٠٦ ٨٧٥١
هونغ كونغ	+٨٥٢ (٨٠٠) ٩٦ ٧٧٢٩
الولايات المتحدة	١ (٢٠٨) ٣٤٤ ٤١٣١
اليابان	+٨١ (٠) ٣ ٣٣٣٥ ٨٣٣٣
اليونان	+٣٠ (٠) ١ ٦٨٩ ٦٤ ١١
سائر العالم، بالإنكليزية	+٤٤ (٠) ٢٠٧ ٥١٢ ٥٢٠٢

حل مشاكل التثبيت ضمن نظام Windows

راجع المعلومات في هذا الفصل إذا اعترضتك مشاكل خلال تجهيز الطابعة لديك. أما إذا احتجت إلى المساعدة بعد الانتهاء من التجهيز، فعليك بمراجعة دليل «المساعدة السريعة» الإلكتروني.

ما المشكلة؟

الحاسوب لم يتمكن من قراءة القرص المدمج لبرمجيات الطابعة بعد إدخاله في محرك الأقراص المدمجة.

الأسباب المحتملة ...

- لم يجر إدخال القرص المدمج لبرمجيات الطابعة في محرك الأقراص المدمجة بالشكل السليم
- القرص المدمج غير صالح
- محرك الأقراص المدمجة غير صالح

حل المشكلة ...

أعد إدخال القرص المدمج لبرمجيات الطابعة في محرك الأقراص المدمجة، متأكدًا من إدخاله بالشكل السليم.
إذا لم يبتدئ التجهيز التلقائي بعد لحظات، فإن القرص المدمج أو محرك الأقراص ليس صالحاً.

أدخل قرصاً مدمجاً آخر في محرك الأقراص. فإذا عمل كما يجب، يكون القرص الأول عاطلاً.
أما إذا لم يتمكن أي قرص من العمل، فقد تحتاج إلى تصليح محرك الأقراص أو استبداله.

استعيض عن القرص العاطل بتنزيل برمجيات الطابعة من موقع شركة HP على التسيج العالمي. إذا لم يكن لديك اتصال بالانترنت، اتصل بخدمة العناية للحصول على قرص بديل. للحصول على أقرب أرقام الهاتف إليك، راجع «الاتصال بخدمة العناية بالمستهلمين hp customer care».

ما المشكلة؟

لم يجر تثبيت برمجيات الطابعة بالشكل السليم.

الأسباب المحتملة...

- قد يكون هناك تعارض مع البرنامج الواقى من الطفيليات الحاسوبية
- قد يكون هناك تعارض مع برنامج آخر
- قد يكون هناك تعارض مع جهاز طرفي متصل بالطابعة

حل المشكلة...

إلغ تثبيت برامج الطابعة على الحاسوب لديك.

لنظام Windows 3.1x

- ١ افتح مجموعة برامج hp deskjet 9xx series.
- ٢ انقر على رمز hp deskjet 9xx series .uninstall
- ٣ اتبع التعليمات الواردة على الشاشة.

لنظام Windows الإصدارات: 95، 98، Me، NT 4.0، 2000

- ١ انقر على بدء (Start) < البرامج hp deskjet 9xx < (Programs) hp deskjet 9xx series < series .uninstall لإلغاء التثبيت.
- ٢ اتبع التعليمات الواردة على الشاشة.

- إنه العمل بجميع البرامج (بما فيها البرنامج الواقى من الطفيليات الحاسوبية)
- أفضل أجهزة طرفي متصل بالطابعة عبر المنفذ المتوازي (مثل الماسح الضوئي أو جهاز النسخ بشريط التسجيل)

أعد تثبيت برامج الطابعة . راجع ملصق «التجهير السريع».

إذا استمرت مشاكل التثبيت، اتصل بخدمة العناية بالمستخدمين، راجع «الاتصال بخدمة العناية بالمستخدمين hp customer care».

ما المشكلة؟

لا يظهر معالج العتاد الجديد بعد
وصل الطابعة بالحاسوب بشريط
وصل لمنفذ USB.



الأسباب المحتملة...

قد لا يكون النظام العامل Windows
الإصدارات 98 أو Me أو 2000

قد لا يكون شريط الوصل لمنفذ USB
مربوطاً بالطابعة والحاسوب بإحكام

قد لا يكون الحاسوب لديك مجهزاً للعمل
مع المسرب المتتالي العام USB

حل المشكلة...

تأكد من أن النظام العامل لديك هو نظام
Windows الإصدارات 98 أو Me أو 2000
وإلا احتجت إلى استعمال شريط الوصل للمنفذ
المتوازي.

١ افصل شريط USB عن الطابعة ثم أعد وصله.
٢ تأكد من أن الشريط مربوط بالطابعة بإحكام.

ضمن نظام Windows الإصدارات 98 أو
2000 أو Me

١ انقر على بدء (Start) < التعيينات
(Settings) < لوحة التحكم (Control Panel)

٢ انقر على رمز النظام (System)

٣ انقر على علامة التبويب مدير الأجهزة
(Device Manager)

٤ انقر على رمز الإضافة (+) إلى جانب خيار
التحكم بالمسرب المتتالي العام Universal Serial
Bus Controller.

- إذا ظهر سرد لمضيف التحكم والمحطة
الرئيسية للمسرب المتتالي العام USB، فإن
ذلك يعني أن USB مجهز للعمل على الأرجح.
- إذا لم يظهر ذلك، فعليك بمراجعة التوثيق
المصاحب للحاسوب أو الاتصال
بالشركة المصنعة له للمزيد من التفاصيل
حول تمكين USB.

٥ استعمل شريط وصل للمنفذ المتوازي إذا تعذر
عليك تمكين العمل بالمسرب المتتالي العام USB.

ما المشكلة؟

عند ربط الطابعة بالحاسوب بواسطة شريط وصل USB، يظهر إشعار «جهاز غير معروف Unknown Device».



الأسباب المحتملة ...

- قد تكون الكهراء الثابتة قد تراكمت في شريط الوصل USB بين الطابعة والحاسوب
- قد يكون شريط الوصل USB غير صالح



أحل المشكلة ...

- ١ افصل شريط الوصل USB عن الطابعة
- ٢ افصل شريط الطاقة عن الطابعة
- ٣ انتظر قرابة ٣٠ ثانية
- ٤ اربط شريط الطاقة بالطابعة
- ٥ اربط شريط الوصل USB بالطابعة
- ٦ استبدل شريط الوصل USB أو استعمل شريط وصل للمنفذ المتوازي إذا استمر ظهور إشعار «جهاز غير معروف Unknown Device».

ما المشكلة؟

عند إدخال القرص المدمج لبرمجيات الطابعة بالحاسوب وابتداء عملية نسخ الملفات، يظهر إشعار يفيد أنه يتعذر إيجاد ملف **hpzuci01.dll**.



الأسباب المحتملة ...

- جميع هذه الظروف موجودة معاً:
- ربط الطابعة بالحاسوب يتم عبر شريط الوصل USB
- نظام التشغيل هو Windows 98
- يجري الاتصال بأكثر من جهاز في وقت واحد



حل المشكلة ...

- ١ انقر على **تصفح (Browse)**.
تظهر حينئذ شاشة فتح الملفات.
- ٢ انقر للوصول إلى موقع ملف **hpzuci01.dll**:
c:\Program Files\Hewlett-Packard\hpz\glue
- ٣ انقر على **موافق (OK)**.
تظهر شاشة نقل الملفات **Copying Files...**
حينئذ، مع الموقع الصحيح الذي جرى تحديده.
- ٤ انقر على **موافق (OK)**.
- ٥ حدّد تثبيت برمجيات الطابعة **Install hp deskjet 9xx series printer software**.
تظهر حينئذ شاشة أداة تثبيت برمجيات الطابعة **hp deskjet 9xx installer**.
- ٦ انقر على التالي **Next**، واتبع التعليمات الواردة على الشاشة

بيان الضمان المحدود

المنطقة	البرمجيات	عبوات الحبر	الطابعة
أميركا الشمالية (بما فيها كندا)	٩٠ يوماً	٩٠ يوماً	سنة واحدة
آسيا والحيث الهادئ	٩٠ يوماً	٩٠ يوماً	سنة واحدة
أوروبا	٩٠ يوماً	٩٠ يوماً	سنة واحدة
أميركا اللاتينية	٩٠ يوماً	٩٠ يوماً	سنة واحدة

أ. مدى سريان مفعول الضمان المحدود

١. تضمن شركة هيويت باكارد (شركة HP) للمستعمل المستهلك خلو منتجاتها المذكورة أعلاه من العيوب في المواد وفي التصنيع، وذلك للمدة المذكورة أعلاه، ابتداءً من تاريخ شراء هذا المستهلك لها. ويتوجب على المستهلك الاحتفاظ بإيصال شراء لإثبات هذا التاريخ.

٢. بالنسبة للبرمجيات، ينطبق الضمان المحدود من شركة HP فقط على التخلف عن أداء تعليمات مبرمجة. فلا تضمن شركة HP تواصل عمل أي من المنتجات ولا خلوه من الأخطاء.

٣. يقتصر الضمان المحدود من شركة HP على العيوب التي تظهر خلال الاستعمال المعتاد للمنتجات ولا ينطبق على ما يلي:

أ. الصيانة أو التعديلات غير الملائمة أو غير الكافية.

ب. البرمجيات وعتاد الوصل والوسائط والقطع واللوازم التي لم توفرها أو التي لا تدعمها شركة HP.

ج. التشغيل خارج إطار المواصفات الخاصة بالمنتج.

٤. بالنسبة لمنتجات شركة HP من الطابعات، فاستعمال المستهلك لعبوات الحبر من غير إنتاج شركة HP، أو لعبوات الحبر التي أعيدت تعبئتها، لا يمس أي ضمان من شركة HP له، ولا أي عقد دعم لها معه. غير أنه في حال تبين أن العطل أو الضرر في الطابعة عائد إلى استعمال عبوة حبر من غير إنتاج شركة HP، أو عبوة حبر أعيدت تعبئتها، فإن شركة HP سوف تعتمد تعرفتها الاعتيادية للوقت الذي تستغرقه الخدمة بالإضافة إلى كلفة قطع الغيار لحساب ما يتوجب على المستهلك تسديده مقابل تصليح العطل أو الضرر المعنيين.

٥. في حال أبلغت شركة HP، خلال مدة سريان مفعول الضمان المنطبقة على المنتجات المعنية، عن وجود عيب في أي من الوسائط أو البرمجيات أو عبوات الحبر التي يشملها هذا الضمان، فإنها سوف تعمد إلى استبدال هذا المنتج المعيوب. وفي حال أبلغت شركة HP خلال مدة سريان مفعول الضمان عن وجود عيب في منتج من العتاد يشمل هذا الضمان، فإنه للشركة وفق ما ترتئيه إما تصليح المنتج أو استبداله.

٦. في حال تعذر على شركة HP تصليح المنتجات المعيبة التي يشملها هذا الضمان أو استبدالها وفق مقتضى الحال، فإنها، خلال مهلة زمنية معقولة من تبليغها الإخطار بالعيب، سوف تعيد للمستعمل المبلغ الذي سدده لشراء هذه المنتجات.

٧. لا تعتبر شركة HP ملزمة بتصليح المنتجات المعنية ولا استبدالها ولا إعادة قيمة شرائها إلى أن يرسل المستعمل هذه المنتجات إليها.

٨. تكون المنتجات البديلة التي تقدمها شركة HP إما جديدة أو بمثابة الجديدة، على أن يكون أداؤها العملي بمستوى المنتجات التي تستبدلها على الأقل.

٩. يعتبر الضمان المحدود من شركة HP صالحاً في جميع البلدان التي تقوم فيها شركة HP بتوزيع المنتجات المعنية، باستثناء بلدان الشرق الأوسط وإفريقيا والأرجنتين والمكسيك وفنزويلا والمقاطعات الخارجية (Départements d'Outre Mer) التابعة لفرنسا. في هذه المناطق المستثناة لا يصلح الضمان إلا في البلد الذي ابتاع المنتج فيه. وقد تتوفر عقود لخدمات ضمان إضافية، مثل الخدمة في مقر عمل المستهلك، من مراكز خدمة شركة HP في البلدان التي تقوم فيها HP أو وكلائها المعتمدين بتوزيع هذه المنتجات.

ب. حدود الضمان

١. إن شركة HP، وشركات «الطرف الثالث» التي تمدها، لا تتقدم بأي ضمان آخر، سواء كان صريحاً أو ضمناً، بالنسبة لمنتجات HP. وتتفي شركة HP، وشركات الطرف الثالث التي تمدها، تحديداً أي زعم حول صلاحية منتجاتها للتسويق أو لاية أغراض معينة، وذلك إلى الحد الذي تسمح به القوانين المحلية.

ج. حدود المسؤولية

١. طرق المعالجة الواردة في شهادة الضمان المحدود هذه هي الأسلوب الوحيد للتعويض على المستهلك، وذلك إلى الحد الذي تسمح به القوانين المحلية.

٢. عدا ما تعهدت به شركة HP تحديداً في نص هذه الشهادة، لا تتحمل شركة HP إطلافاً أية مسؤولية عن أي ضرر، سواء كان مباشراً أو غير مباشر، خاصاً أو عارضاً أو متولداً، ناتجاً عن عقد أو ضرر أو أي أساس قانوني آخر، وإن تم إنذارها بإمكانية الضرر؛ وذلك إلى الحد الذي تسمح به القوانين المحلية.

د. القوانين المحلية

١. تمنح شهادة الضمان المحدود هذه المستهلك جملة حقوق. وقد يكون للمستهلك أيضاً حقوق أخرى تختلف باختلاف مكان إقامته في الولايات المتحدة الأميركية أو المقاطعات الكندية، أو في سائر الأقطار.

٢. يعتبر نص شهادة الضمان المحدود هذه معدلاً بالقدر الذي يجعله متناسباً مع القوانين المحلية السارية المفعول، وذلك في حال تعارضه مع هذه القوانين. فقد لا تنطبق بعض حدود الضمان على المستهلك في هذه الحالات. فعلى سبيل المثال، فإن حكومات بعض الولايات الأميركية وحكومات بعض الدول خارج الولايات المتحدة (بما فيها بعض المقاطعات الكندية) قد:

أ. تبطل أساساً التحفظات والاستثناءات التي تضعها حدود الضمان على حقوق المستهلك (ومنها مثلاً المملكة المتحدة)؛

ب. تحد من حق المصنّع في وضع الحدود وادعاء التحفظات؛

ج. تمنح المستهلك حقوق ضمان إضافية، أو تفرض مدة للضمان لا يسع المصنّع التبرؤ منها، أو تمنع المصنّع من وضع حد لمدة الضمان الضمني.

٣. فيما يتعلق بمعاملات المستهلكين في أستراليا ونيوزيلندا، تعتبر بنود شهادة الضمان المحدود هذه إضافة إلى الحقوق الإلزامية المعتمدة المنطقة على شراء منتجات شركة HP بالنسبة إليهم، فهذه البنود لا تبطل هذه الحقوق ولا تعدها ولا تعدلها، وذلك إلى الحد الذي تسمح به القوانين المحلية.

ضمان شركة HP للعام ٢٠٠٠

بالقدر الذي يتفق مع كافة البنود والقيود المدرجة في الضمان المحدود من شركة HP أعلاه، تضمن شركة HP أن منتجاتها سوف تتمكن من المعالجة الصحيحة لبيانات التاريخ (بما في ذلك الحساب والمقارنة والترتيب، وغيرها) بين القرن العشرين والقرن الواحد والعشرين، ومن كل منهما إلى الآخر، وبين العامين ١٩٩٩ و٢٠٠٠، بما في ذلك حساب السنة الكبيسة، وذلك عند استعمالها وفق تعليمات المواد التوثيقية المرفقة بها والتي وفرتها شركة HP (بما في ذلك تعليمات تثبيت التحديثات والتصويبات)، شرط أن تتمكن كافة المنتجات الأخرى المتصلة بها (بما في ذلك العتاد والبرمجيات والبرامج المثبتة) من التبادل الصحيح لبيانات التاريخ معها. وتستمر صلاحية ضمان شركة HP للعام ٢٠٠٠ حتى ٣١ كانون الثاني (يناير) من العام ٢٠٠١.

بيان حول البيئة

مخدومية المنتجات: لتحقيق أطول مخدومية لطابعات HP Deskjet، تقدم شركة HP الآتي:

- **تمديد الضمان:** يقدم عقد خدمة تمديد الضمان HP SupportPack تغطية للعتاد والقطع الداخلية من إنتاج شركة HP. ويتوجب شراء عقد الخدمة هذا خلال مهلة ٣٠ يوماً ابتداءً من تاريخ شراء الطابعة. الرجاء الاتصال بأقرب موزعي شركة HP للمزيد من التفاصيل حول هذا العقد.
- **قطع الغيار والمواد الاستهلاكية:** يستمر توفر هذه القطع والمواد لمدة خمس سنوات بعد التوقف عن إنتاج الطابعة.
- **إعادة المنتجات:** لإعادة الطابعات وعبوات الحبر إلى شركة HP بعد انتهاء مخدوميتها، الرجاء الاتصال بمكتب المبيعات أو الخدمة لشركة HP للحصول على التعليمات.

استهلاك الطاقة

تم تصميم هذه الطابعة مع اعتبار المحافظة على الطاقة. لا تستهلك هذه الطابعة إلا ٥.٥ واط وهي في حالة الانتظار (stand-by)، فهذا يخفض استنفاد الموارد الطبيعية، ويوفر المال، دون التعرض للأداء المرتفع للطابعة.

وهذه الطابعة متوافقة مع برنامج ENERGY STAR (الولايات المتحدة واليابان)، وهو برنامج طوعي يهدف إلى تشجيع إنتاج الأجهزة المكتبية التي تخفض من استهلاك الطاقة.



برنامج ENERGY STAR هو علامة خدمة مسجلة لوكالة حماية البيئة في الولايات المتحدة. وشركة Hewlett-Packard، بصفتها شريكة في برنامج ENERGY STAR قد تأكدت أن هذا المنتج يفي بتوجيهات ENERGY STAR للمحافظة على الطاقة.

استهلاك الطاقة في وضع الإطفاء: تستهلك الطابعة قدراً ضئيلاً من الطاقة وهي في وضع الإطفاء. لإنهاء هذا الاستهلاك، يمكن سحب شريط الطاقة من المأخذ بعد إطفاء الطابعة.

تعمل شركة HP باستمرار على تحسين تصاميم مجموعة الطابعات deskjet، كما أنها تواظب على تحسين عمليات تصنيع هذه الطابعات، وكل ذلك سعياً إلى الحد، بقدر الإمكان، من الأثر السلبي الذي قد يطرأ على بيئة أماكن العمل وأماكن تصنيع الطابعات وشحنها واستعمالها، ولحد ذلك من الأثر السلبي الذي قد ينجم عن تصريف الطابعات يوم تنتهي صلاحيتها للعمل.

تخفيض وإزالة

استهلاك الأوراق: قدرات الطابعة على الطباعة على الوجهين، تلقائياً ويدوياً، تخفض استهلاك الطاقة واستنفاد الموارد الطبيعية. وهذه الطابعة صالحة للاستعمال مع الأوراق المدورة وفق مقياس DIN 19 309.

وقاية طبقة الأوزون: تخلت شركة HP عن استعمال كافة المواد الكيميائية التي تستنفد طبقة الأوزون (مثل مواد الكلوروفلوروكربون) في عمليات تصنيع منتجاتها.

تدوير

جرى تصميم هذه الطابعة مع أخذ الرغبة بالتدوير بعين الاعتبار. فعدد أنواع المواد فيها قد خُفض، مع الإبقاء على القدر المطلوب من المخدومية والفعالية. وجرى تصميم المواد المختلفة لتنفصل عن بعضها بسهولة. والروابط بينها سهلة الوصول إليها لزرعها باستعمال الأدوات العادية. والقطع ذات الأهمية العالية قد صممت للوصول إليها بسرعة لتسهيل التفكيك والتصليح. وقد صممت القطع البلاستيكية بما لا يزيد عن اللونين لتعزيز إمكانية التدوير. إلا أن بعض القطع الصغيرة قد صممت بألوان عدة لإبرازها للمستعمل.

حزم الطابعات: جرى اختيار العلب التي تشحن الطابعات فيها لتوفير أعلى حماية بأقل كلفة، مع أقل أثر على البيئة وأفضل إمكانية للتدوير. والتصميم المتين لطابعات HP Deskjet يسمح بتخفيف المواد الحافظة ونسب التعرض للضرر.

القطع البلاستيكية: تحمل القطع البلاستيكية الأساسية علامة تشير إلى محتواها من البلاستيك وفق المعايير الدولية. وجميع القطع البلاستيكية في علب الطابعة وهيكلها قابلة مبدئياً للتدوير، وهي مؤلفة من مركب بلاستيكي واحد.

الفهرس التفصيلي

أ

استهلاك الطاقة ١٩

إعادة الطابعة ١٩

ب

برامج الطابعة ٢ ، ٣

البرامج المحركة للطابعة ١ ، ٢ ، ٣

البرامج الواقية من الطفيليات ١٣

برمجيات الطابعة ١ ، ٢ ، ٣ ، ٥

برنامج Adobe Acrobat Reader ٥ ، ٦

ت

تجهيز الطابعة ٣

التلاؤم

مع عتاد آخر ٣

مع برمجيات أخرى ٣

تمديد الضمان ١١ ، ١٩

ج

جهاز Macintosh، المساعدة bubble help ٣

ح

الحصول على المعلومات ٣

حل المشاكل ١٢

الحاسوب لا يقرأ القرص المدمج ١٢

لا يمكن إيجاد ملف hpzuci01.dll ١٦

تثبيت البرمجيات ليس سليماً ١٢

مشاكل تجهيز USB ١٤ ، ١٥

حل مشاكل التجهيز ١٢

خ

خدمة العناية بالمستخدمين ٧

د

دليل Windows network guide ٣

دليل الاستعمال لنظام Windows 3.1x ٣

دليل المساعدة السريعة ٣ ، ٤ ، ٥ ، ٦

ر

رزمة الطابعة ١

س

سمات الطابعة ٣

ش

شريط الوصل ٢

ض

الضمان المحدود ١٧

ط

الطابعة ١٥

ع

عبوات الحبر ١ ، ٢ ، ٣

عقود الخدمة ١١

العناية الإلكترونية بالمستخدمين ٨

العناية الهاتفية بالمستخدمين ٩ ، ١٠

م

محتويات علبة الطابعة ١

المساعدة

بعد انتهاء مدة الدعم الهاتفي ١٠

العناية الإلكترونية ٨

خدمة العناية بالمستخدمين hp customer care ١٩

العناية الهاتفية ٩ ، ١٠

تصليح الطابعة ١١

حل مشاكل التجهيز ١٢

منتديات المستخدمين ٨

على النسيج العالمي ٤

المساعدة السريعة ٣

المساعدة على جهاز Macintosh، bubble help ٣

المسرب المتتالي العام USB ١٤ ، ١٥

ملاحظات الإصدار ٣

ملصق التجهيز السريع ١ ، ٣

مواصفات الطابعة ٣

ن

النسيج العالمي، مواقع الخدمة ٧

نظام التشغيل DOS ١

و

وحدة الطباعة التلقائية على الوجهين ١

وصل الطابعة بالحاسوب ٢ ، ١٤ ، ١٥

وصل الطابعة بالشبكة ٣

regulatory notices

hewlett-packard company

This device complies with part 15 of the FCC Rules. Operation is subject to the following two conditions:

- This device may not cause harmful interference, and
- This device must accept any interference received, including interference that may cause undesired operation.
- Pursuant to Part 15.21 of the FCC Rules, any changes or modifications to this equipment not expressly approved by Hewlett-Packard Company may cause harmful interference,

and void your authority to operate this equipment. Use of a shielded data cable is required to comply with the Class B limits of Part 15 of the FCC Rules.

For further information, contact:

Hewlett-Packard Company
Manager of Corporate Product Regulations
3000 Hanover Street
Palo Alto, Ca 94304
(650) 857-1501.

LED indicator statement

The display LEDs meet the requirements of EN 60825-1.

この装置は、情報処理装置等電波障害自主規制協議会（VCCI）の基準に基づくクラスB情報技術装置です。この装置は、家庭環境で使用することを目的としていますが、この装置がラジオやテレビジョン受信機に近接して使用されると受信障害を引き起こすことがあります。

取り扱い説明書に従って正しい取り扱いをして下さい。

사용자 안내문 (B급 기기)

이 기기는 비업무용으로 전자파장애검정을 받은 기기로서, 주거지역에서는 물론 모든 지역에서 사용할 수 있습니다.

note

This equipment has been tested and found to comply with the limits for a Class B digital device, pursuant to part 15 of the FCC rules. These limits are designed to provide reasonable protection against harmful interference in a residential installation. This equipment generates, uses, and can radiate radio frequency energy and, if not installed and used in accordance with the instructions, may cause harmful interference to radio communications. However, there is no guarantee that interference will not occur in a particular installation. If this equipment does cause harmful interference to radio or television reception, which can be determined by turning the equipment off and on, the user is encouraged to try to correct the interferences by one or more of the following:

- Reorient or relocate the receiving antenna.
- Increase the separation between the equipment and the receiver.
- Connect the equipment into an outlet on a circuit different from that to which the receiver is connected.
- Consult the dealer or an experienced radio/TV technician for help.

إشعارات تنظيمية

Hewlett-Packard شركة

بيان

This equipment has been tested and found to comply with the limits for a Class B digital device, pursuant to part 15 of the FCC rules. These limits are designed to provide reasonable protection against harmful interference in a residential installation. This equipment generates, uses, and can radiate radio frequency energy and, if not installed and used in accordance with the instructions, may cause harmful interference to radio communications. However, there is no guarantee that interference will not occur in a particular installation. If this equipment does cause harmful interference to radio or television reception, which can be determined by turning the equipment off and on, the user is encouraged to try to correct the interferences by one or more of the following:

- Reorient or relocate the receiving antenna.
- Increase the separation between the equipment and the receiver.
- Connect the equipment into an outlet on a circuit different from that to which the receiver is connected.
- Consult the dealer or an experienced radio/TV technician for help.

This device complies with part 15 of the FCC Rules. Operation is subject to the following two conditions:

- This device may not cause harmful interference, and
- This device must accept any interference received, including interference that may cause undesired operation.
- Pursuant to Part 15.21 of the FCC Rules, any changes or modifications to this equipment not expressly approved by Hewlett-Packard Company may cause harmful interference,

and void your authority to operate this equipment. Use of a shielded data cable is required to comply with the Class B limits of Part 15 of the FCC Rules.

For further information, contact:

Hewlett-Packard Company
Manager of Corporate Product Regulations
3000 Hanover Street
Palo Alto, Ca 94304
(650) 857-1501.

إشعار المشير LED

The display LEDs meet the requirements of EN 60825-1.

この装置は、情報処理装置等電波障害自主規制協議会（VCCI）の基準に基づくクラスB情報技術装置です。この装置は、家庭環境で使用することを目的としていますが、この装置がラジオやテレビジョン受信機に近接して使用されると受信障害を引き起こすことがあります。

取り扱い説明書に従って正しい取り扱いをして下さい。

사용자 안내문 (B급 기기)

이 기기는 비업무용으로 전자파장애검정을 받은 기기로서, 주거지역에서는 물론 모든 지역에서 사용할 수 있습니다.

إشعارات تنظيمية

شركة Hewlett-Packard

يُفي هذا الجهاز متطلبات القسم ١٥ من توجيهات لجنة الاتصالات الاتحادية في الولايات المتحدة (FCC). وتشغيله مشروط بالاعتبارات التالية:

- لا يمكن لهذا الجهاز أن يتسبب بالتداخل المؤذي.
- على هذا الجهاز تحمل التداخل الوافد، بما في ذلك التداخل الذي قد يتسبب بأداء غير مرغوب به.
- بناءً على القسم ٢١، ١٥ من توجيهات لجنة الاتصالات الاتحادية، أي تعديل أو تغيير لهذا الجهاز لا تعلن شركة Hewlett-Packard صراحة موافقتها عليه قد يتسبب بالتداخل الضار، ويلغي حق تشغيل هذا الجهاز. ويتوجب استعمال شريط الوصل المحمي لإبقاء متطلبات الفئة ب من القسم ١٥ من توجيهات لجنة الاتصالات الاتحادية.

للمزيد من المعلومات، الرجاء الاتصال بهذا العنوان:

Hewlett-Packard Company
Manager of Corporate Product Regulations
3000 Hanover Street
Palo Alto, Ca 94304
(650) 857-1501.

إشعار المشير LED

تفي الأضواء المشيرة LED بمتطلبات EN 60825-1

بيان
لقد جرى اختبار هذا الجهاز وتم التأكد من استيفائه حدود الفئة ب للأجهزة الرقمية، وفق القسم ١٥ من توجيهات لجنة الاتصالات الاتحادية في الولايات المتحدة (FCC). وقد جرى تحديد هذه الحدود لتوفير حماية مقبولة إزاء التداخل الضار في إطار العمل المنزلي. وهذا الجهاز ينتج ويستعمل ويشع موجات الكهرومغناطيسية، ففي حال لم يتم تجهيزه بالشكل السليم فقد ينتج عنه تداخل مع الاتصالات الكهرومغناطيسية. إلا أن ذلك لا يعني أن عدم حصول التداخل مضمون في إطار عمل معين. فإذا تسبب هذا الجهاز بتداخل مع استقبال أجهزة الراديو والتلفزيون، ويمكن التأكد من ذلك عبر إطفاء الجهاز وإشعاله، فإن المستعمل مدعو إلى تصحيح التداخل عبر إحدى الطرق التالية:

- إعادة توجيهه هوائياً الاستقبال.
- توسيع المسافة بين هذا الجهاز وجهاز الاستقبال.
- وصل هذا الجهاز بالطاقة الكهربائية من مأخذ مختلف عن جهاز الاستقبال.
- مراجعة أحد الاختصاصيين التقنيين لمعالجة المشكلة.

この装置は、情報処理装置等電波障害自主規制協議会（VCCI）の基準に基づくクラスB情報技術装置です。この装置は、家庭環境で使用することを目的としていますが、この装置がラジオやテレビジョン受信機に近接して使用されると受信障害を引き起こすことがあります。

取り扱い説明書に従って正しい取り扱いをして下さい。

사용자 안내문 (B급 기기)

이 기기는 비업무용으로서 전자파장해검정을 받은 기기로서, 주거지역에서는 물론 모든 지역에서 사용할 수 있습니다.



<http://www.hp.com/go/support/>



* C 6 4 5 5 - 9 0 1 5 1 *