

# PCjr INTERNAL KEYBOARD ADAPTER Installation instructions.

## TOOLS REQUIRED:

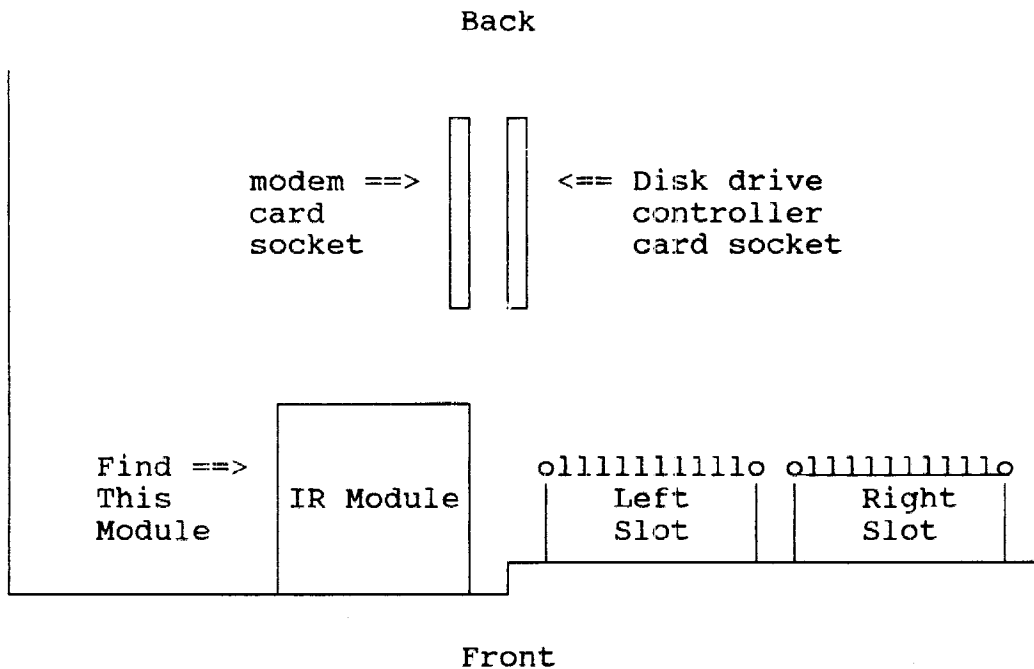
- Medium flat-blade screwdriver

## HARDWARE INSTALLATION (For excellent diagrams refer to the 'Diskette Drive Installation Instructions' in your 'Guide to Operations' manual):

1. Turn off power to PCjr and all peripherals (printer, display, etc.)
2. Unplug the PCjr's and peripherals' power cords from the wall outlets.
3. Turn the PCjr around so the rear is facing you.
4. Wait five minutes to allow the PCjr to cool down.

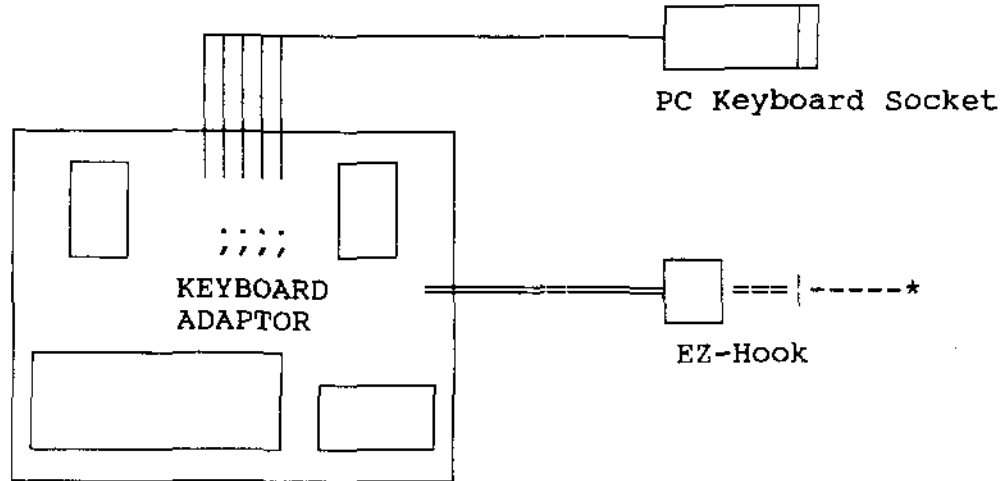
**WARNING:** Serious shock hazards can exist inside the PCjr. Make sure the power cord is unplugged before you remove the cover.

5. Using the medium screwdriver, remove the PCjr's top cover. (See diagrams in the 'Guide to Operations' manual)
6. Turn the PCjr around so the front is facing you.
7. Find the IR module inside the PCjr. The IR module is the metal box that is located immediately behind the round hole to the left of the cartridge slots.

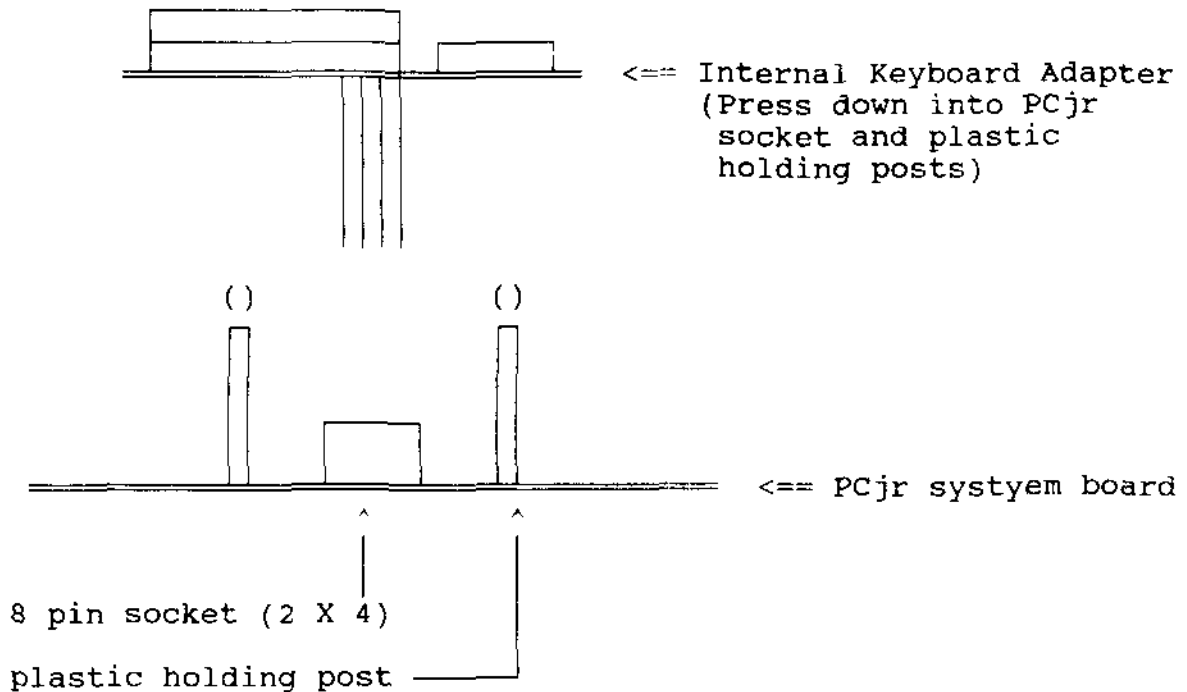


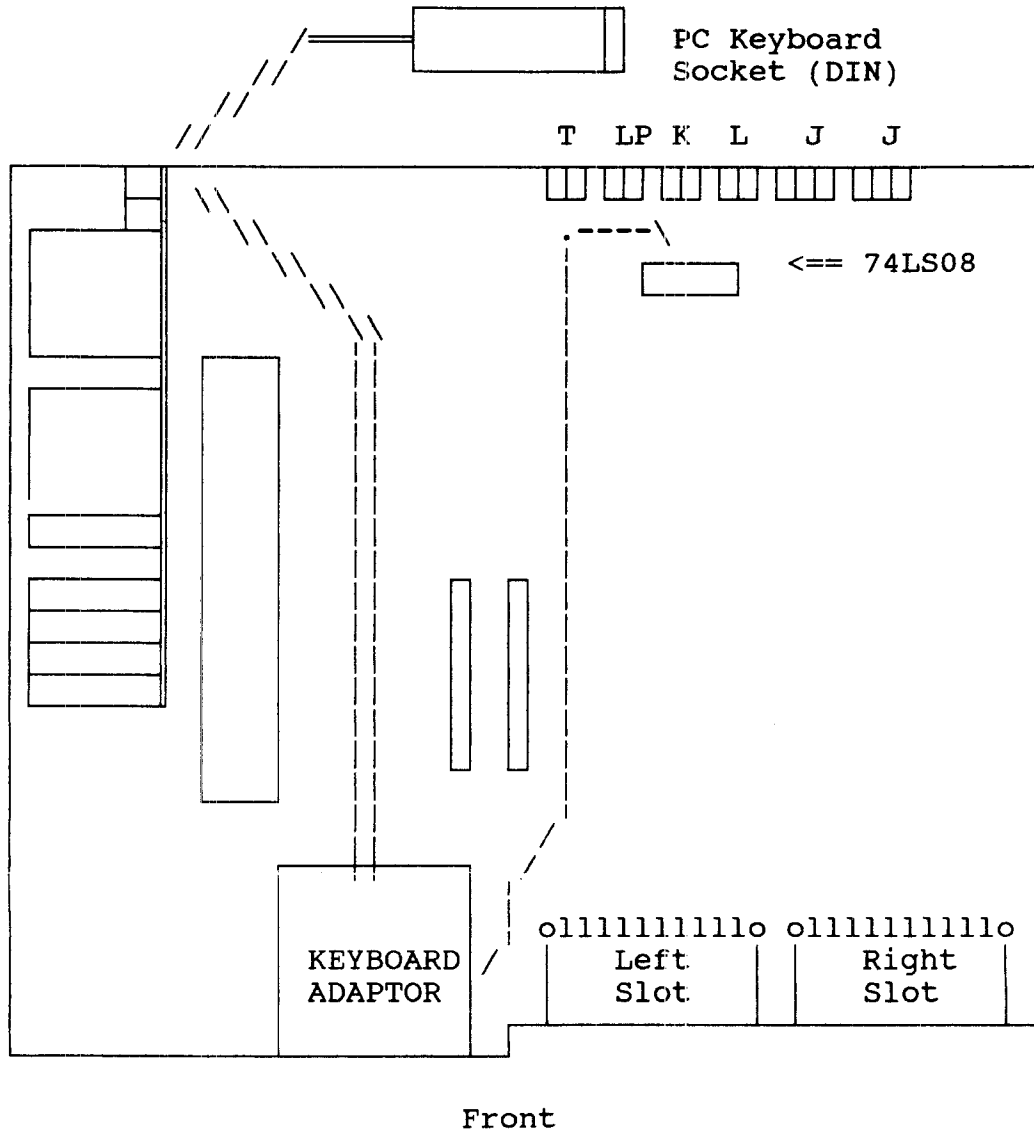
**WARNING:** All parts are sensitive to static discharge. Follow the static discharge handling rules. (Don't perform work in carpeted areas, don't excessively handle device leads, etc.)

8. Remove the IR module by pulling directly upward. This module is held down to the printed circuit board by two plastic posts with mounting pins that are similar to the ones holding the disk drive to the PCjr base. The posts have a friction-type grip on the module, and the module will snap out.
9. Orient the Internal Keyboard Adapter such that the parts are mounted on top, the gray ribbon cable with the PC keyboard socket is facing away from you, and the EZ-Hook is attached to the right hand side:



10. Place the Internal Keyboard Adapter in the same location that the IR module was taken from. Align the 8 pin connector with the 8 pin socket located about 1/2" behind the two plastic posts that held the IR module in place, and firmly press the Internal Keyboard Adapter down until both posts have snapped into the mounting holes.



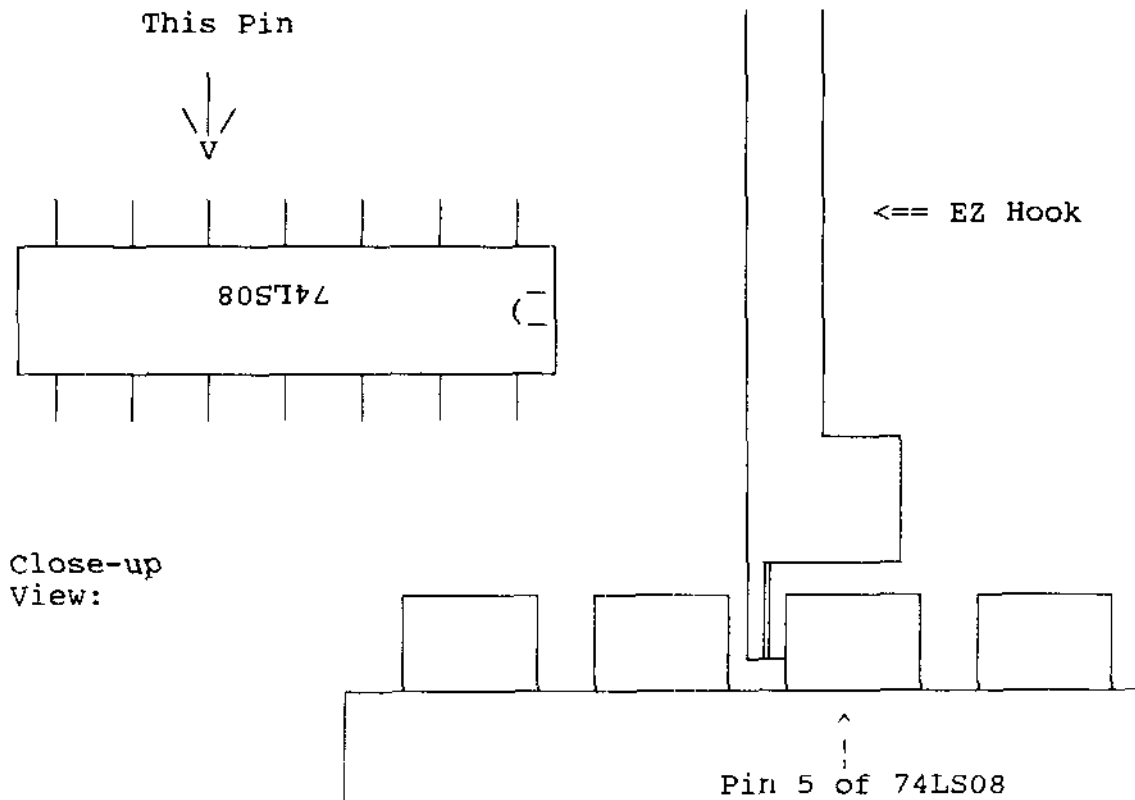


11. Route the gray ribbon cable to the back of the PCjr. The cable should be placed next to the ON/OFF power switch in the rectangular hole in the back panel of the PCjr.

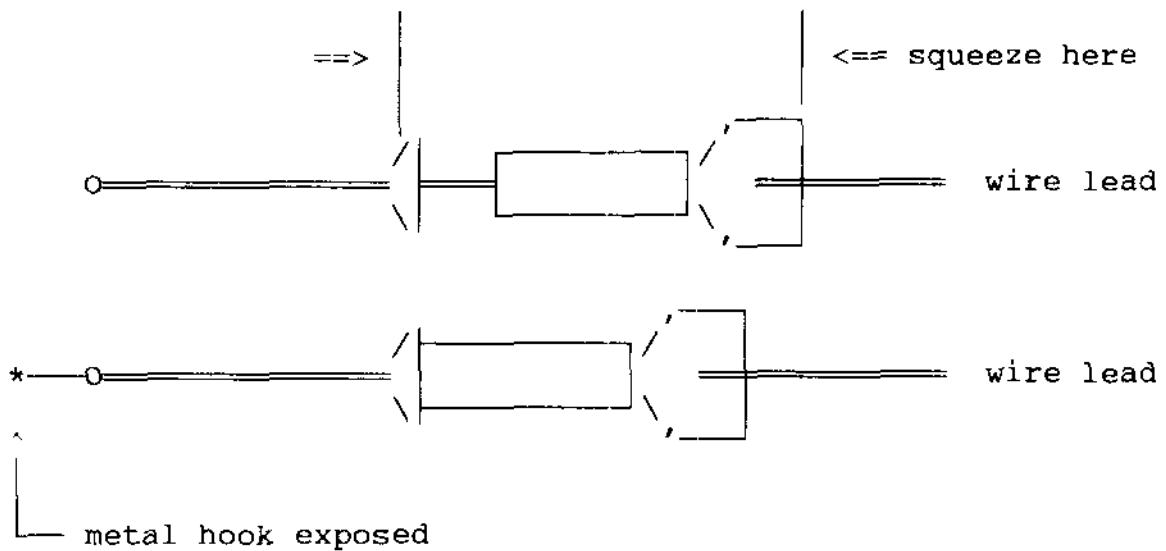
You may wish to slightly modify the PCjr case to allow the cable to leave through a different location. The back panel has a narrow edge that sticks up and mates with the top cover. If the edge is filed down, the cable can slip out between the cover and the back panel.

12. Locate the 74LS08 chip that resides partially under the disk drive fan. It is about 1" from the back panel and is the closest chip to the K and L connectors. This is a small part that has 14 pins (7 on each side). You are going to place the jumper on pin number 5. To allow you more room to locate the pin and attach the EZ-Hook, you may want to remove the disk drive. To remove your disk drive, refer to the 'Diskette Drive Installation Instructions' in your 'Guide to Operations' manual.

13. Locate pin #5 (the fifth pin from the right on the side closest to the rear of the PCjr). You need to attach the EZ-Hook on the end of the line from the Internal Keyboard Adapter to this pin.



The EZ-Hook is attached by first exposing the metal hook. This is done by compressing the EZ-Hook's main body:



14. Install the diskette drive (if you removed it). (See the 'Guide to Operations' manual)
15. Reconnect the power and signal cables to the diskette drive. (See the 'Guide to Operations' manual)
16. Put the top cover back onto the PCjr. (See the 'Guide to Operations' manual)
17. Plug the power cords back into the wall sockets.

#### **HARDWARE NOTES:**

Only attach or remove a keyboard from the Internal Keyboard Adapter's PC keyboard socket when the power is turned off. This is a good procedure to follow with all of the devices attached to your PCjr.

The Internal Keyboard Adapter works like the IR keyboard: If you have a PCjr keyboard cable attached to the PCjr keyboard port (port 'K'), the IR keyboard is ignored. The same is true for the Internal Keyboard Adapter: if you have a PCjr keyboard cable plugged into the 'K' port, the PCjr will ignore the internal Keyboard adapter, and only service the keyboard attached to the 'K' port.

The Internal Keyboard Adapter works with PC, PC XT, and XT/AT software and hardware switchable keyboards. If you have a keyboard that does not work with this adapter, please check to make sure that it is set up to work on a PC XT. Keyboards designed to work only on an AT, or have switches set for AT mode operation will not work with this adapter.

The keyboard adapter will buffer all incoming keystrokes until the signal on the EZ-Hook jumper indicates that keystrokes are allowed. If this jumper is not attached to the correct location, the adapter may send out key scan codes sporadically, or not at all.

#### **INTERNAL KEYBOARD ADAPTER LIMITED WARRANTY**

Synectics Software & Systems warrants that each Internal Keyboard Adapter is free from defects in material and workmanship and agrees to repair or replace the assembly which under normal installation and use discloses such defect, provided the assembly is delivered by the original purchaser to Synectics Software & Systems for examination within 1 year of the date of purchase.

This warranty does not extend to any assembly which has been subjected to misuse, abuse, neglect, accident, improper installation or use in violation of instructions furnished by us nor to any Internal Keyboard Adapter assembly which may have been tampered with, altered, or repaired outside of Synectics Software & Systems.

This warranty is in lieu of all other warranties expressed or implied, and no one is authorized to assume any liability on behalf of Synectics Software & Systems or impose any obligation on it in connection with the sale, other than as outlined above.

Warranty service may be obtained by returning an Internal Keyboard Adapter with a copy of your sales receipt to:

**Synectics Software & Systems  
P.O. Box 4931  
Boise, ID 83711-4931**