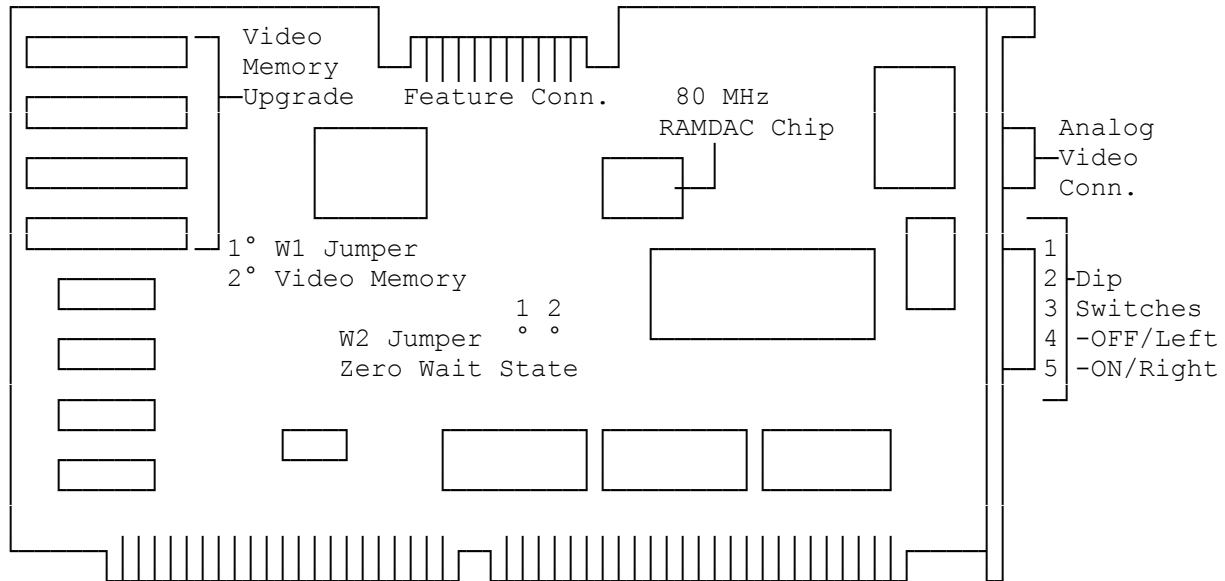


Use two (2) 25-1082 256 K Memory Kits to upgrade the video memory.
(This kit contains two (2) 256 K x 4, 70 ns DRAM chips.)

The computer is shipped with 512KB of video memory. Some VGA modes require 1MB of video memory. To install additional video memory, install four 256 K x 4, 70 ns or faster, DRAMs. Before you begin, carefully read the following steps and the video memory kit instructions.
To install DRAMs:

1. Turn off the computer, and disconnect all cables.
2. Discharge any accumulated static electricity from your body by touching a grounded metal object. Then, open the computer.
3. Remove the video board.
4. Insert a DRAM in each video memory socket on the video board. Align the notch on each DRAM with the notch on the socket. Being careful not to bend the pins, press down on the DRAM until it is fully inserted.
5. Remove jumper W1 to designate 1 MB of video memory.
6. Reinstall the video board.
7. Then, close the computer. Reconnect all cables.

Video Board Layout:



(rjs-07/09/93)