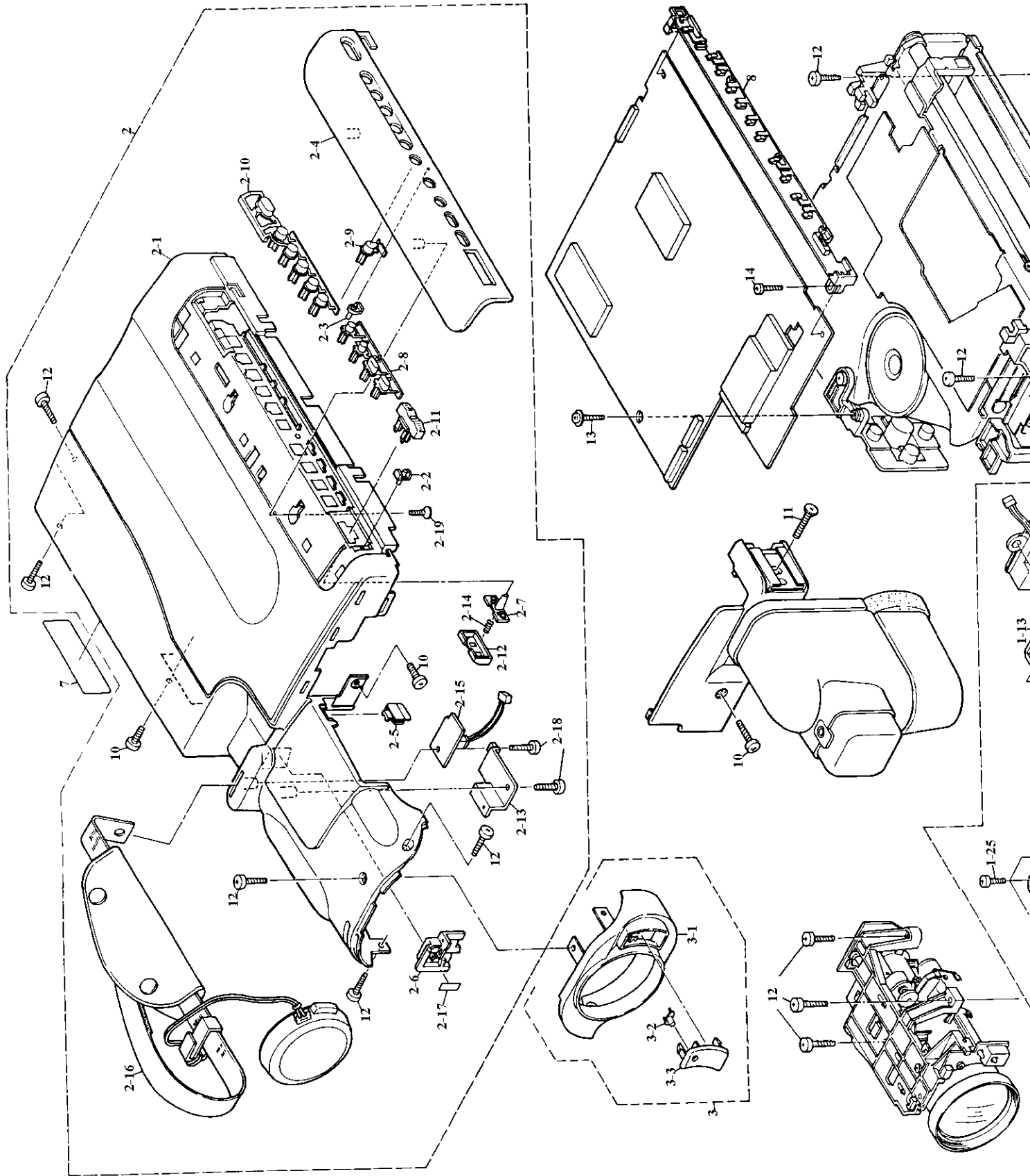
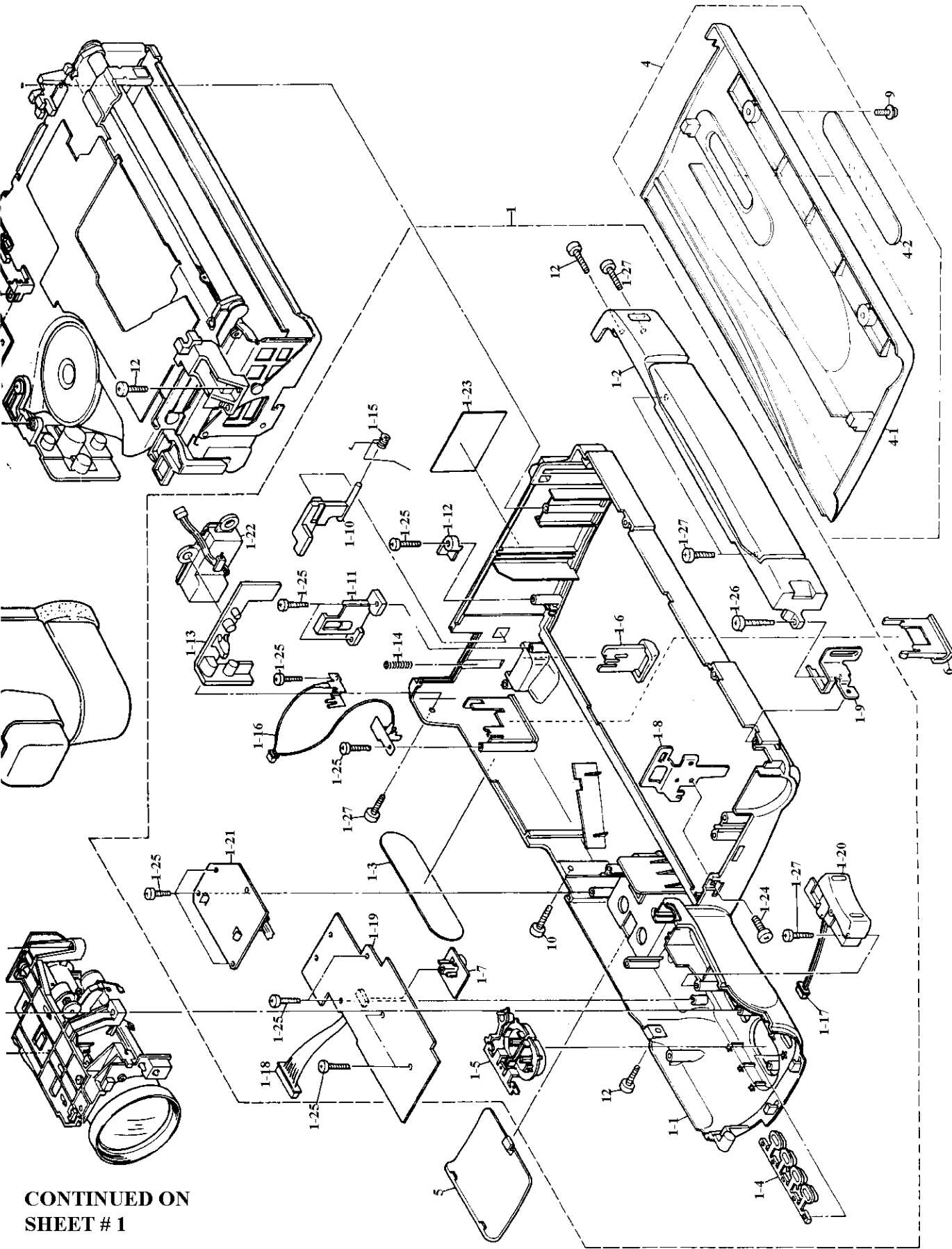


MODEL 128 MOVIECODER
CABINET SHEET # 1 (160-0828)
FAXBACK DOC # 10348



**MODEL 128 MOVIECODER
CABINET SHEET # 2 (160-0828)
FAXBACK DOC # 10348**



**CONTINUED ON
SHEET # 1**