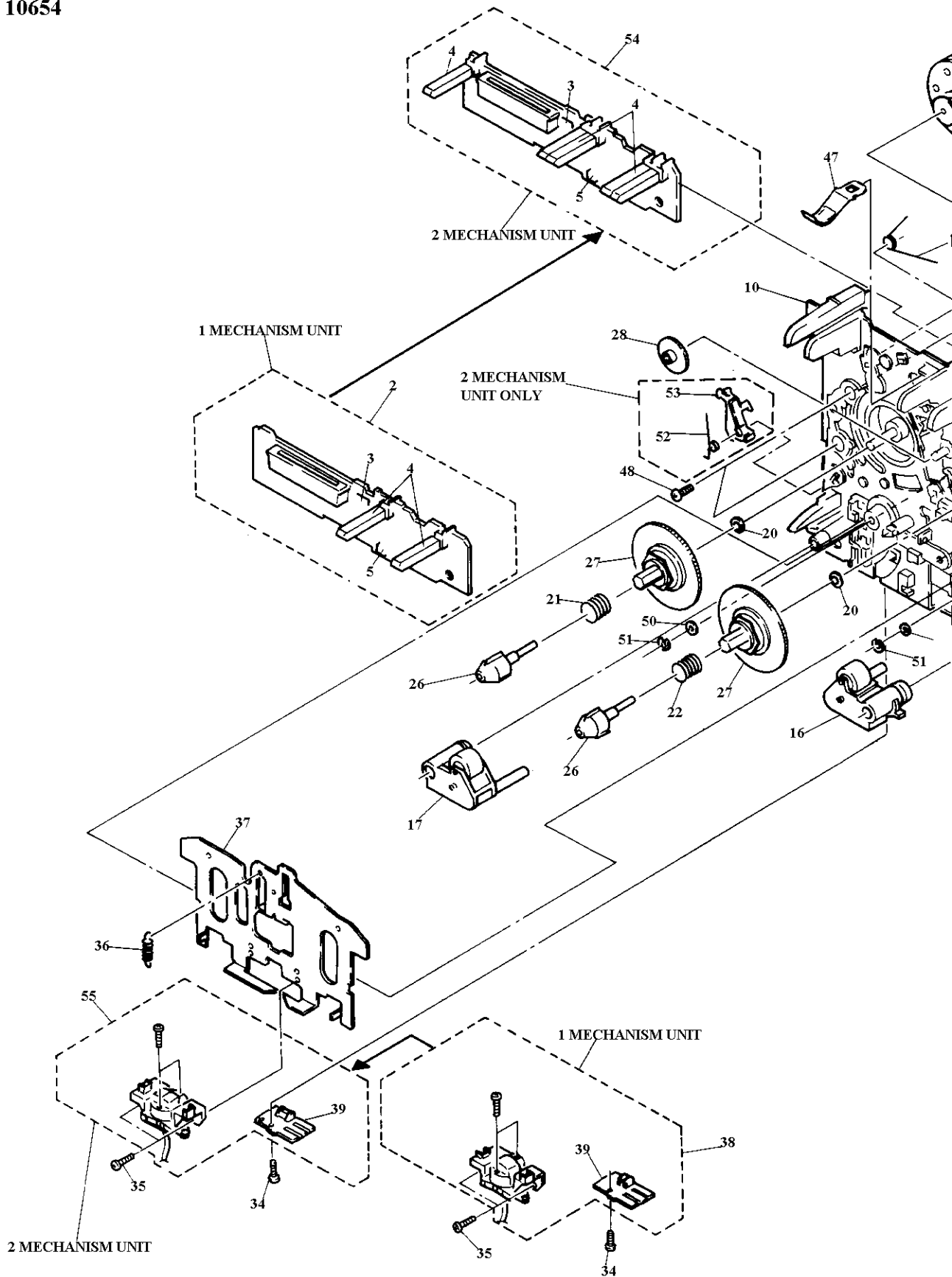


**SCT-55 HIGH-SPEED  
DUBBING CASSETTE DECK  
MECHANISM SHEET # 1 (140-0674)  
FAXBACK DOC # 10654**



**SCT-55 HIGH-SPEED  
DUBBING CASSETTE DECK  
MECHANISM SHEET # 2 (140-0674)  
FAXBACK DOC # 10654**

