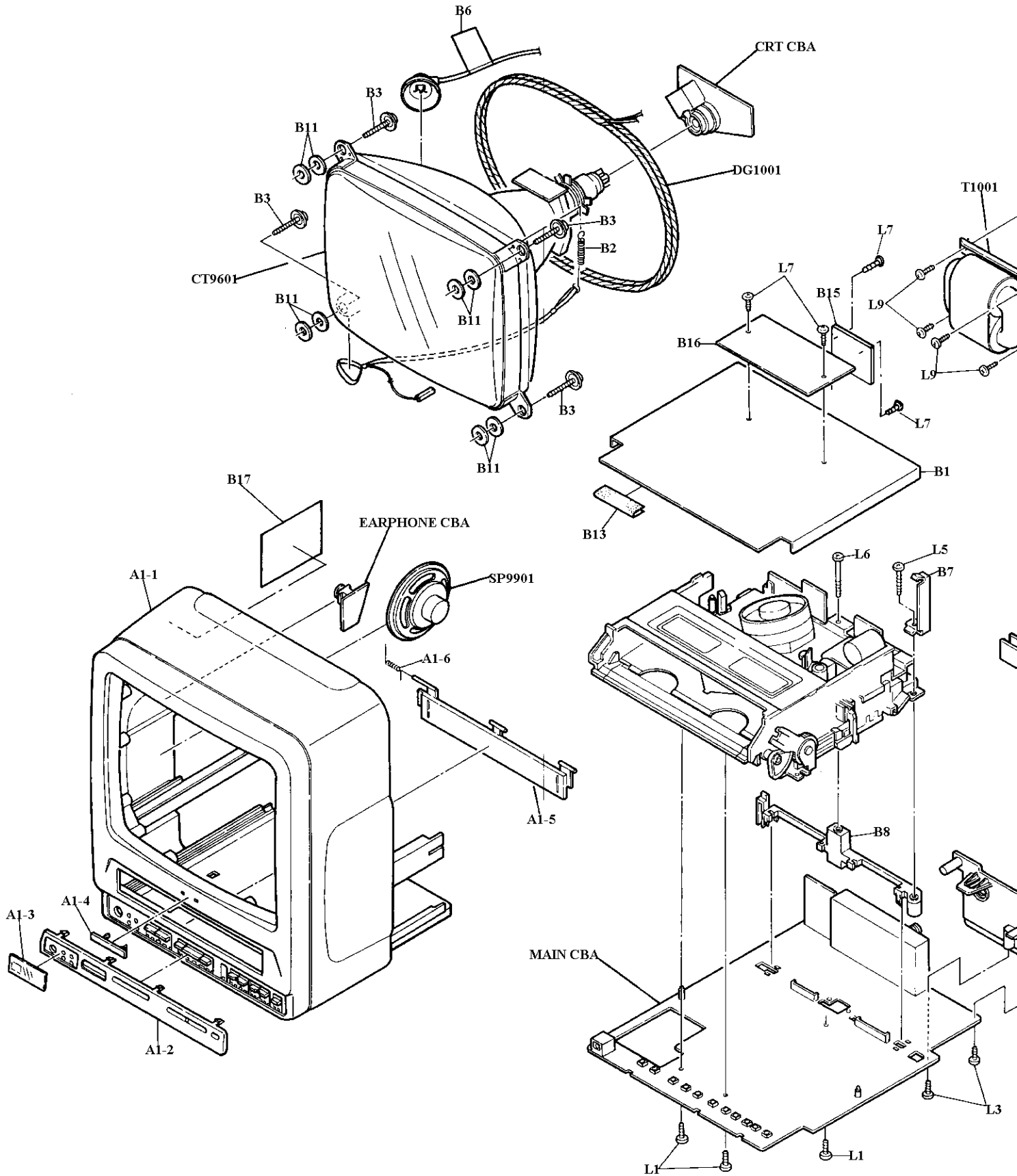


**MODEL 19 9-INCH COLOR
TV/VCP COMBINATION
CABINET SHEET # 1 (160-0411)
FAXBACK DOC # 10664**



**MODEL 19 9-INCH COLOR
TV/VCP COMBINATION
CABINET SHEET # 2 (160-0411)
FAXBACK DOC # 10664**

